



MS115S Series

Ø115mm Xenon Lamp Signal Lights

- Xenon lights
- Outstanding visibility at distance
- PCB module style Xenon lamp
- IP65 rated

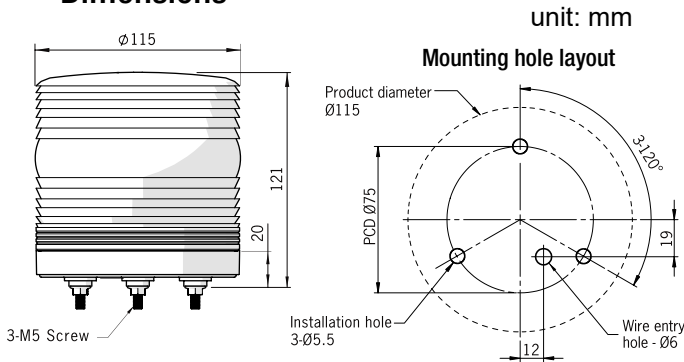


Ordering Information

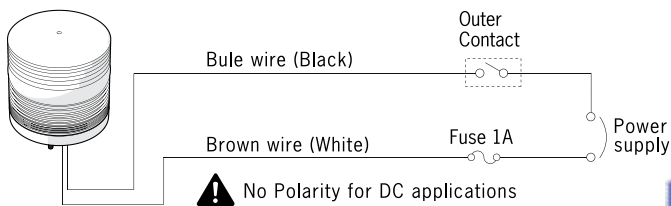
MS115S - S 20 - R
 ① ②

| | | |
|-------------------|-----------|--------------|
| ① Power Supply | 00 | 12-24V AC/DC |
| | 10 | 110V AC |
| | 20 | 220V AC |
| ② Lens Colors | R | Red |
| | Y | Yellow |
| | G | Green |
| | B | Blue |
| | C | Clear |

Dimensions



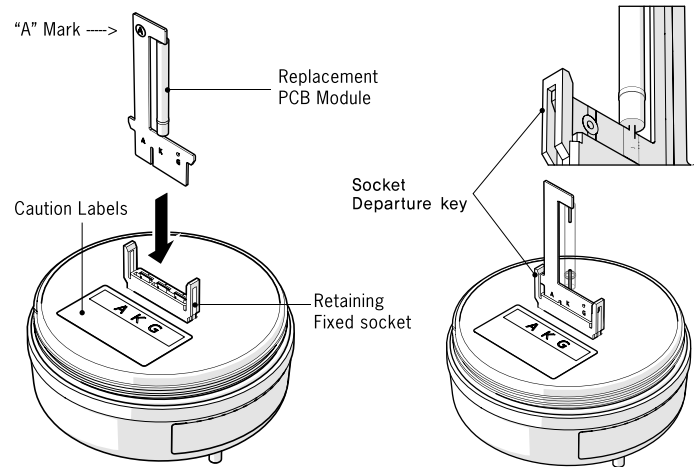
Wiring Diagram



Specifications

| | | | |
|------------------------|-----------------------------|---------|---------|
| Lighting type | Xenon Strobe | | |
| Power Supply | 12~24V AC/DC | 110V AC | 220V AC |
| Current Consumption | 0.08~0.15A | 0.07A | 0.03A |
| Flashing Rate | 60±10 times/min | | |
| Vibration | 0.75mm at 10~55 Hz | | |
| Lens Material | PC Plastic | | |
| Ambient Temperature | -20~40°C | | |
| Storage Temperature | -20~70°C | | |
| Ambient Humidity | 45~85% RH | | |
| Degree of Protection | IP65 | | |
| Recommended Wire Size | UL 2464, 22 AWG X 2C, 300mm | | |
| Weight | 315g | | |
| Certificate/Compliance | RoHS, UL | | |

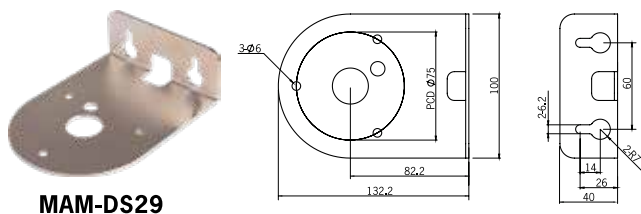
How to install Xenon bulb



The new lamp should be inserted firmly to match the same signal A K G (or A G K) mark. Printed "A" in circuit and label.

- ⚠ - If you insert reverse direction, the lamp can not operate.
- ⚠ - Insert the lamp circuit board correctly. not to inclined.

Wall mounting options (for all MS115 Series)



Pole Mounting

| | | |
|--------------|---|--|
| Supplier No. | MS86S-LAMP-02 | MS86S-LAMP-10 |
| Description. | Xenon Lamp I - Type, 3W 12~24V Lamp life: 1,000,000 Frequency. (2,000 hours) | Xenon Lamp U - Type, 6W AC110V / 220V Lamp life: 1,000,000 Frequency. (2,000 hours) |