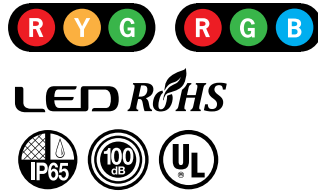




MS115M Series

Ø115mm 3 colors in 1 LED Signal Lights



- 3 Colors in 1 LED modular components
- Bright & even light distribution with prism-cut lenses
- Multi-functional LED signal light
- Flashing Cycles : 2 patterns (Selectable by a switch)
- Optional Audible Alarm upto 100dB (adjustable volume)

Ordering Information

MS115M - F 00 - RYG
 ① ② ③

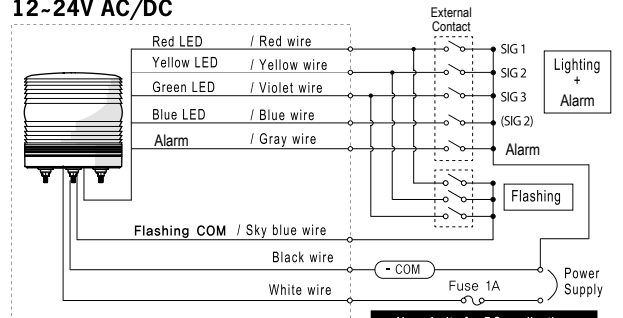
① Style	F	Steady & Flashing
	B	Steady & Flashing w/Alarm
② Power Supply	00	12-24V AC/DC
	FF	90-240V AC
③ Colors	RYG	Red, Yellow and Green
	RGB	Red, Green and Blue

Specifications

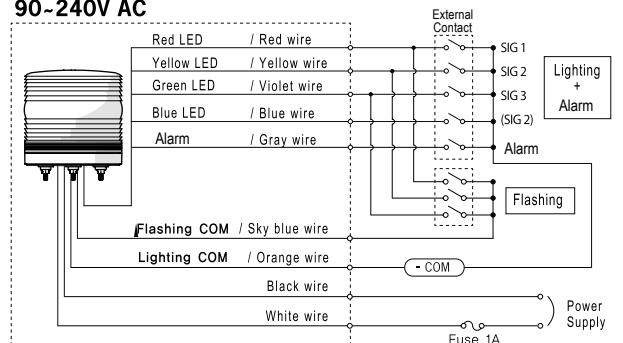
Functions	Steady, Flashing + Alarm	
Power Supply	12~24VAC/DC	90~240VAC
Current Consumption	F Style	0.6A
	B Style	0.76A
Flash rate(Adjustable)	F1: 80 ±10 flashes/min., F3: 240±10times/minute(emergency signal)	
Alarm Sound Level	10~100 ±5 dB at 1m: Volume adjustable	
Vibration	0.75mm at 10~55Hz	
Ambient Temp.	-20~40°C	
Storage Temp.	-20~70°C	
Ambient Humidity	45~85% RH	
Degree of Protection	IP65	
Recommended Wire Size	UL1007/22AWG	
Weight	Approx. 360g	
Certificate/Compliance	RoHS, UL	

Wiring Diagram

12~24V AC/DC



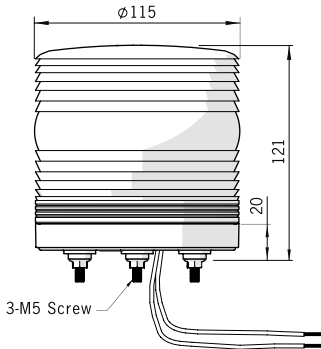
90~240V AC



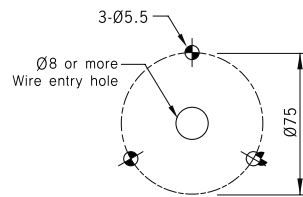
Dimensions

unit: mm

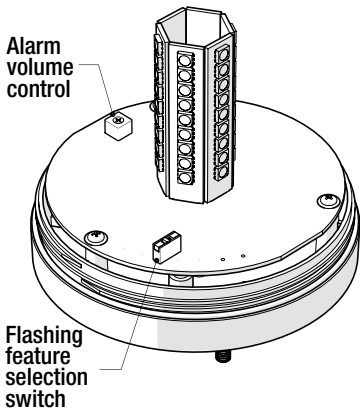
"20mm" Base body



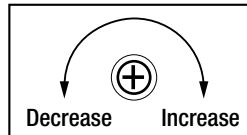
Mounting hole layout



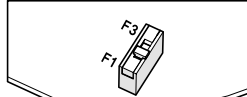
Feature settings



Alarm volume control



Flashing feature selection



F1: 80 ± 5 times per minute
 F3: 240 ± 5 times per minute
 (emergency signal display light)

Wall mounting options (for all MS115 Series)

