

- 1
- 2
- 3
- 4
- 5
- 6
- 7
- 8
- 9
- 10
- 11
- 12
- 13
- 14
- 15
- 16
- 17
- 18

**LEVER BODY**

Glass-fibre reinforced polyamide based (PA) technopolymer, black colour, matte finish.

**PUSH BUTTON**

Technopolymer, black colour, matte finish.

**STANDARD EXECUTIONS**

Glass-fibre reinforced technopolymer clamping element with retaining pin, black colour, with knurling on the protruding part to make initial tightening easier. AISI 302 stainless steel return spring.

- **MRX-B:** brass boss, threaded blind hole.
- **MRX-SST:** AISI 303 stainless steel boss, threaded blind hole.
- **MRX-p:** zinc-plated steel threaded stud, chamfered flat end UNI 947 : ISO 4753 (see Technical data on page A-10).
- **MRX-SST-p:** AISI 303 stainless steel threaded stud, chamfered flat end UNI 947 : ISO 4753 (see Technical data on page A-10).

**FEATURES AND APPLICATIONS**

Particularly suitable when the lever turning angle is limited owing to lack of space.

Compared to other types of adjustable handles with metal retaining screw this solution offers:

- absolute electric insulation for the operator
- more comfortable lever release.

**STRESS RESISTANCE**

See ERX. page 324.

**OTHER EXECUTIONS AVAILABLE**

Lever body in orange (C2) with black push button (C1).  
Example: code 141131-C2-C1 description MRX.40-C2-B-M5-C1.

**SPECIAL EXECUTIONS ON REQUEST**

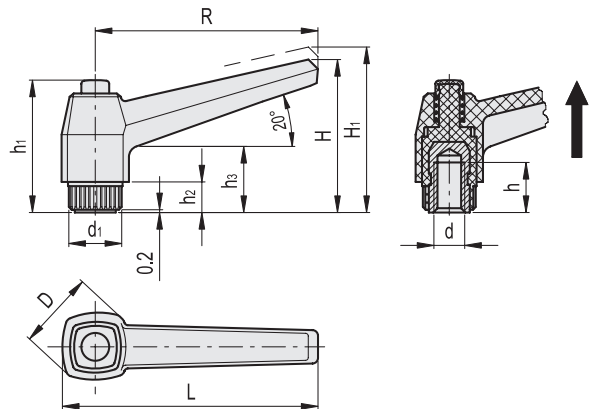
Lever body in RAL 7031 grey.

**INSTRUCTIONS OF USE**

For clamping, lift the lever to disengage the clamping device teeth and bring it back to start position. By releasing the lever, the return spring automatically engages the teeth.



MRX-B  
MRX-SST



Conversion Table			
1 mm = 0.039 inch			
R			
mm	inch	mm	inch
42	1.65	80	3.15
63	2.48	100	3.94

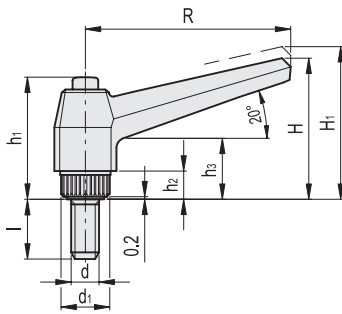
**MRX-B**

Code	Description	R	d6H	L	D	H	H1	h	h1	h2	h3	d1	Teeth no.	⚖️
141131	MRX.40 B-M5	42	M5	50	18	32	35.5	10	29	6	14	12	18	10
141141	MRX.40 B-M6	42	M6	50	18	32	35.5	10	29	6	14	12	18	12
141411	MRX.63 B-M6	63	M6	73	23	43	46.5	16	37	8	17	15	20	21
141421	MRX.63 B-M8	63	M8	73	23	43	46.5	13	37	8	17	15	20	22
141422	MRX.63 B-M10	63	M10	73	23	43	46.5	13	37	8	17	15	20	20
142111	MRX.80 B-M8	80	M8	92	28	54	58.5	20	47	10	22	19	24	41
142121	MRX.80 B-M10	80	M10	92	28	54	58.5	18	47	10	22	19	24	42
142131	MRX.80 B-M12	80	M12	92	28	54	58.5	17	47	10	22	19	24	45
142501	MRX.100 B-M10	100	M10	114	33	65	69.5	20	54	12	25	25	28	70
142511	MRX.100 B-M12	100	M12	114	33	65	69.5	20	54	12	25	25	28	74
142521	MRX.100 B-M14	100	M14	114	33	65	69.5	20	54	12	25	25	28	84
142531	MRX.100 B-M16	100	M16	114	33	65	69.5	22	54	12	25	25	28	81

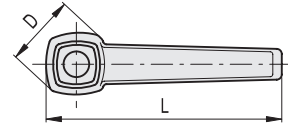
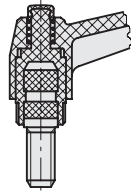
**MRX-SST**

Code	Description	R	d6H	L	D	H	H1	h	h1	h2	h3	d1	Teeth no.	⚖️
141185	MRX.40-SST-M5	42	M5	50	18	32	35.5	6	29	6	14	12	18	14
141191	MRX.40-SST-M6	42	M6	50	18	32	35.5	10	29	6	14	12	18	12
141423	MRX.63-SST-M6	63	M6	73	23	43	46.5	12	37	8	17	15	20	24
141425	MRX.63-SST-M8	63	M8	73	23	43	46.5	13	37	8	17	15	20	22
142155	MRX.80-SST-M8	80	M8	92	28	54	58.5	13	47	10	22	19	24	44
142161	MRX.80-SST-M10	80	M10	92	28	54	58.5	17	47	10	22	19	24	42
142561	MRX.100-SST-M12	100	M12	114	33	65	69.5	20	54	12	25	25	28	75

Conversion Table 1 mm = 0.039 inch	
R	
mm	inch
42	1.65
63	2.48
80	3.15
100	3.94



MRX-p



MRX-p

METRIC

Code	Description	R	d6g	L	D	H	H1	h1	h2	h3	d1	l	Teeth no.	⚙
141201	MRX.40 p-M5x10	42	M5	50	18	32	35.5	29	6	14	12	10	18	10
141211	MRX.40 p-M5x16	42	M5	50	18	32	35.5	29	6	14	12	16	18	11
141221	MRX.40 p-M5x20	42	M5	50	18	32	35.5	29	6	14	12	20	18	12
141301	MRX.40 p-M6x10	42	M6	50	18	32	35.5	29	6	14	12	10	18	12
141311	MRX.40 p-M6x16	42	M6	50	18	32	35.5	29	6	14	12	16	18	13
141321	MRX.40 p-M6x20	42	M6	50	18	32	35.5	29	6	14	12	20	18	14
141331	MRX.40 p-M6x25	42	M6	50	18	32	35.5	29	6	14	12	25	18	15
141335	MRX.40 p-M6x30	42	M6	50	18	32	35.5	29	6	14	12	30	18	16
141341	MRX.40 p-M6x40	42	M6	50	18	32	35.5	29	6	14	12	40	18	18
141361	MRX.40 p-M8x16	42	M8	50	18	32	35.5	29	6	14	12	16	18	15
141362	MRX.40 p-M8x20	42	M8	50	18	32	35.5	29	6	14	12	20	18	16
141363	MRX.40 p-M8x25	42	M8	50	18	32	35.5	29	6	14	12	25	18	18
141431	MRX.63 p-M6x10	63	M6	73	23	43	46.5	37	8	17	15	10	20	25
141441	MRX.63 p-M6x16	63	M6	73	23	43	46.5	37	8	17	15	16	20	26
141451	MRX.63 p-M6x20	63	M6	73	23	43	46.5	37	8	17	15	20	20	27
141461	MRX.63 p-M6x25	63	M6	73	23	43	46.5	37	8	17	15	25	20	28
141466	MRX.63 p-M6x30	63	M6	73	23	43	46.5	37	8	17	15	30	20	29
141470	MRX.63 p-M6x35	63	M6	73	23	43	46.5	37	8	17	15	35	20	30
141471	MRX.63 p-M6x40	63	M6	73	23	43	46.5	37	8	17	15	40	20	31
141501	MRX.63 p-M8x16	63	M8	73	23	43	46.5	37	8	17	15	16	20	28
141511	MRX.63 p-M8x20	63	M8	73	23	43	46.5	37	8	17	15	20	20	29
141521	MRX.63 p-M8x25	63	M8	73	23	43	46.5	37	8	17	15	25	20	31
141531	MRX.63 p-M8x30	63	M8	73	23	43	46.5	37	8	17	15	30	20	32
141535	MRX.63 p-M8x35	63	M8	73	23	43	46.5	37	8	17	15	35	20	35
141541	MRX.63 p-M8x40	63	M8	73	23	43	46.5	37	8	17	15	40	20	36
141551	MRX.63 p-M8x45	63	M8	73	23	43	46.5	37	8	17	15	45	20	37
141561	MRX.63 p-M8x50	63	M8	73	23	43	46.5	37	8	17	15	50	20	38
141569	MRX.63 p-M8x60	63	M8	73	23	43	46.5	37	8	17	15	60	20	40
141581	MRX.63 p-M10x20	63	M10	73	23	43	46.5	37	8	17	15	20	20	33
141583	MRX.63 p-M10x30	63	M10	73	23	43	46.5	37	8	17	15	30	20	36
141585	MRX.63 p-M10x40	63	M10	73	23	43	46.5	37	8	17	15	40	20	40
141587	MRX.63 p-M10x50	63	M10	73	23	43	46.5	37	8	17	15	50	20	42
141589	MRX.63 p-M10x60	63	M10	73	23	43	46.5	37	8	17	15	60	20	46
142181	MRX.80 p-M8x20	80	M8	92	28	54	58.5	47	10	22	19	20	24	52
142183	MRX.80 p-M8x25	80	M8	92	28	54	58.5	47	10	22	19	25	24	54
142185	MRX.80 p-M8x30	80	M8	92	28	54	58.5	47	10	22	19	30	24	56
142187	MRX.80 p-M8x40	80	M8	92	28	54	58.5	47	10	22	19	40	24	60
142189	MRX.80 p-M8x45	80	M8	92	28	54	58.5	47	10	22	19	45	24	62
142191	MRX.80 p-M8x50	80	M8	92	28	54	58.5	47	10	22	19	50	24	64
142193	MRX.80 p-M8x55	80	M8	92	28	54	58.5	47	10	22	19	55	24	66
142195	MRX.80 p-M8x60	80	M8	92	28	54	58.5	47	10	22	19	60	24	68
142197	MRX.80 p-M8x70	80	M8	92	28	54	58.5	47	10	22	19	70	24	70
142201	MRX.80 p-M10x20	80	M10	92	28	54	58.5	47	10	22	19	20	24	54
142211	MRX.80 p-M10x25	80	M10	92	28	54	58.5	47	10	22	19	25	24	57
142221	MRX.80 p-M10x30	80	M10	92	28	54	58.5	47	10	22	19	30	24	60
142225	MRX.80 p-M10x35	80	M10	92	28	54	58.5	47	10	22	19	35	24	62
142231	MRX.80 p-M10x40	80	M10	92	28	54	58.5	47	10	22	19	40	24	62
142241	MRX.80 p-M10x50	80	M10	92	28	54	58.5	47	10	22	19	50	24	68
142245	MRX.80 p-M10x60	80	M10	92	28	54	58.5	47	10	22	19	60	24	73
142251	MRX.80 p-M10x70	80	M10	92	28	54	58.5	47	10	22	19	70	24	79

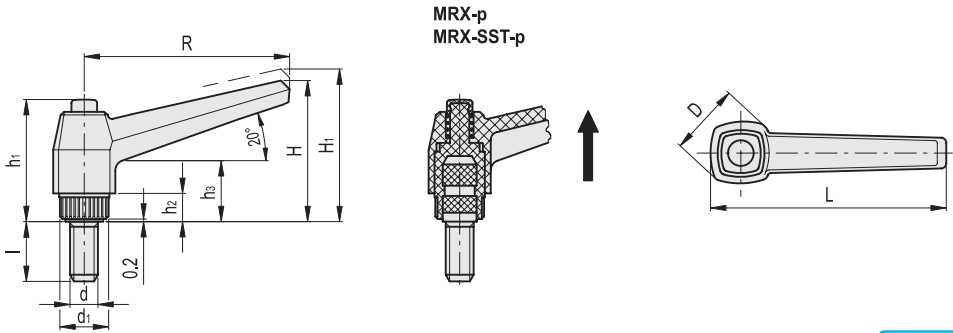


Clamping levers

- 1
- 2
- 3
- 4
- 5
- 6
- 7
- 8
- 9
- 10
- 11
- 12
- 13
- 14
- 15
- 16
- 17
- 18

**Conversion Table**  
1 mm = 0.039 inch

mm	inch
42	1.65
63	2.48
80	3.15
100	3.94



**MRX-p**

**METRIC**

Code	Description	R	d6g	L	D	H	H1	h1	h2	h3	d1	l	Teeth no.	△
142301	MRX.80 p-M12x20	80	M12	92	28	54	58.5	47	10	22	19	20	24	62
142311	MRX.80 p-M12x25	80	M12	92	28	54	58.5	47	10	22	19	25	24	67
142321	MRX.80 p-M12x30	80	M12	92	28	54	58.5	47	10	22	19	30	24	68
142325	MRX.80 p-M12x35	80	M12	92	28	54	58.5	47	10	22	19	35	24	82
142331	MRX.80 p-M12x40	80	M12	92	28	54	58.5	47	10	22	19	40	24	75
142335	MRX.80 p-M12x45	80	M12	92	28	54	58.5	47	10	22	19	45	24	80
142341	MRX.80 p-M12x50	80	M12	92	28	54	58.5	47	10	22	19	50	24	83
142351	MRX.80 p-M12x60	80	M12	92	28	54	58.5	47	10	22	19	60	24	92
142361	MRX.80 p-M12x70	80	M12	92	28	54	58.5	47	10	22	19	70	24	98
142365	MRX.80 p-M12x80	80	M12	92	28	54	58.5	47	10	22	19	80	24	105
142591	MRX.100 p-M12x20	100	M12	114	33	65	69.5	54	12	25	25	20	28	88
142601	MRX.100 p-M12x30	100	M12	114	33	65	69.5	54	12	25	25	30	28	96
142651	MRX.100 p-M12x50	100	M12	114	33	65	69.5	54	12	25	25	50	28	112
142701	MRX.100 p-M12x70	100	M12	114	33	65	69.5	54	12	25	25	70	28	127
142801	MRX.100 p-M14x30	100	M14	114	33	65	69.5	54	12	25	25	30	28	112
142831	MRX.100 p-M14x50	100	M14	114	33	65	69.5	54	12	25	25	50	28	132
142851	MRX.100 p-M14x70	100	M14	114	33	65	69.5	54	12	25	25	70	28	152
142901	MRX.100 p-M16x30	100	M16	114	33	65	69.5	54	12	25	25	30	28	138
142951	MRX.100 p-M16x50	100	M16	114	33	65	69.5	54	12	25	25	50	28	163
142981	MRX.100 p-M16x70	100	M16	114	33	65	69.5	54	12	25	25	70	28	190

**MRX-SST-p**

**INOX STAINLESS STEEL METRIC**

Code	Description	R	d6g	L	D	H	H1	h1	h2	h3	d1	l	Teeth no.	△
141371	MRX.40-SST-p-M6x16	42	M6	50	18	32	35.5	29	6	14	12	16	18	13
141372	MRX.40-SST-p-M6x20	42	M6	50	18	32	35.5	29	6	14	12	20	18	14
141373	MRX.40-SST-p-M6x25	42	M6	50	18	32	35.5	29	6	14	12	25	18	15
141374	MRX.40-SST-p-M6x30	42	M6	50	18	32	35.5	29	6	14	12	30	18	16
141700	MRX.63-SST-p-M8x16	63	M8	73	23	43	46.5	37	8	17	15	16	20	28
141701	MRX.63-SST-p-M8x20	63	M8	73	23	43	46.5	37	8	17	15	20	20	29
141702	MRX.63-SST-p-M8x25	63	M8	73	23	43	46.5	37	8	17	15	25	20	31
141711	MRX.63-SST-p-M8x30	63	M8	73	23	43	46.5	37	8	17	15	30	20	32
141713	MRX.63-SST-p-M8x40	63	M8	73	23	43	46.5	37	8	17	15	40	20	36
141715	MRX.63-SST-p-M8x50	63	M8	73	23	43	46.5	37	8	17	15	50	20	38
142367	MRX.80-SST-p-M8x20	80	M8	92	28	54	58.5	47	10	22	19	20	24	53
142369	MRX.80-SST-p-M8x25	80	M8	92	28	54	58.5	47	10	22	19	25	24	55
142371	MRX.80-SST-p-M8x30	80	M8	92	28	54	58.5	47	10	22	19	30	24	57
142373	MRX.80-SST-p-M8x40	80	M8	92	28	54	58.5	47	10	22	19	40	24	61
142375	MRX.80-SST-p-M8x45	80	M8	92	28	54	58.5	47	10	22	19	45	24	63
142377	MRX.80-SST-p-M8x50	80	M8	92	28	54	58.5	47	10	22	19	50	24	66
142380	MRX.80-SST-p-M8x70	80	M8	92	28	54	58.5	47	10	22	19	70	24	67
142381	MRX.80-SST-p-M10x20	80	M10	92	28	54	58.5	47	10	22	19	20	24	54
142385	MRX.80-SST-p-M10x30	80	M10	92	28	54	58.5	47	10	22	19	30	24	60
142387	MRX.80-SST-p-M10x40	80	M10	92	28	54	58.5	47	10	22	19	40	24	62
142391	MRX.80-SST-p-M12x30	80	M12	92	28	54	58.5	47	10	22	19	30	24	68
142393	MRX.80-SST-p-M12x40	80	M12	92	28	54	58.5	47	10	22	19	40	24	75
142395	MRX.80-SST-p-M12x50	80	M12	92	28	54	58.5	47	10	22	19	50	24	83
143001	MRX.100-SST-p-M12x30	100	M12	114	33	65	69.5	54	12	25	25	30	28	97
143003	MRX.100-SST-p-M12x40	100	M12	114	33	65	69.5	54	12	25	25	40	28	105
143005	MRX.100-SST-p-M12x50	100	M12	114	33	65	69.5	54	12	25	25	50	28	113
143009	MRX.100-SST-p-M12x70	100	M12	114	33	65	69.5	54	12	25	25	70	28	128

Clamping levers