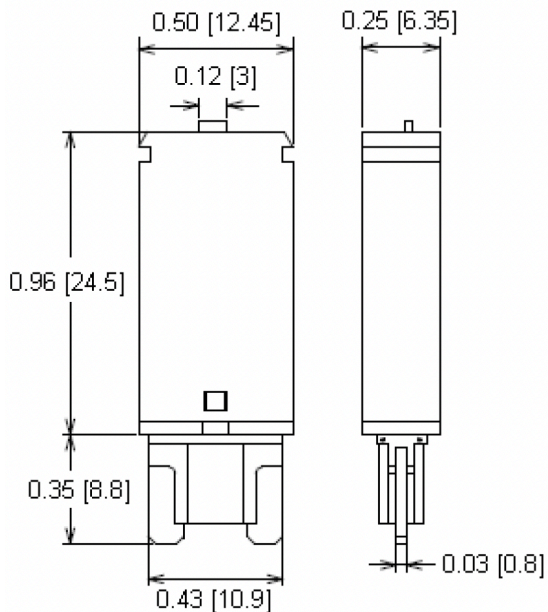


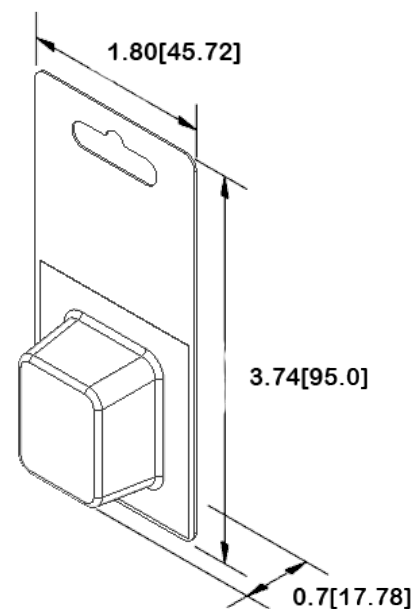
Mechanical Dimensions: Inches [mm]

Retail Pack: Inches [mm]

Unless otherwise specified all tolerances are +/- 0.02in (0.5mm)



Retail Pack



Part Numbers Information

Amperage	Body Color	Bulk Part #	Retail Pack # Blister Card	Pack Size
5A	Tan	MRCBP4-PS-5A	MRCBP4-PS-5A-BP	1
7.5A	Brown	MRCBP4-PS-7.5A	MRCBP4-PS-7.5A-BP	1
10A	Red	MRCBP4-PS-10A	MRCBP4-PS-10A-BP	1
15A	Blue	MRCBP4-PS-15A	MRCBP4-PS-15A-BP	1
20A	Yellow	MRCBP4-PS-20A	MRCBP4-PS-20A-BP	1
25A	White	MRCBP4-PS-25A	MRCBP4-PS-25A-BP	1
30A	Green	MRCBP4-PS-30A	MRCBP4-PS-30A-BP	1

Electrical Specifications

Voltage Rating	58VDC
Reset Type	Type III – Manual Reset
Operation Temperature	-40°C ~ 85°C
Testing	SAE J553 Type III, IEC 60934

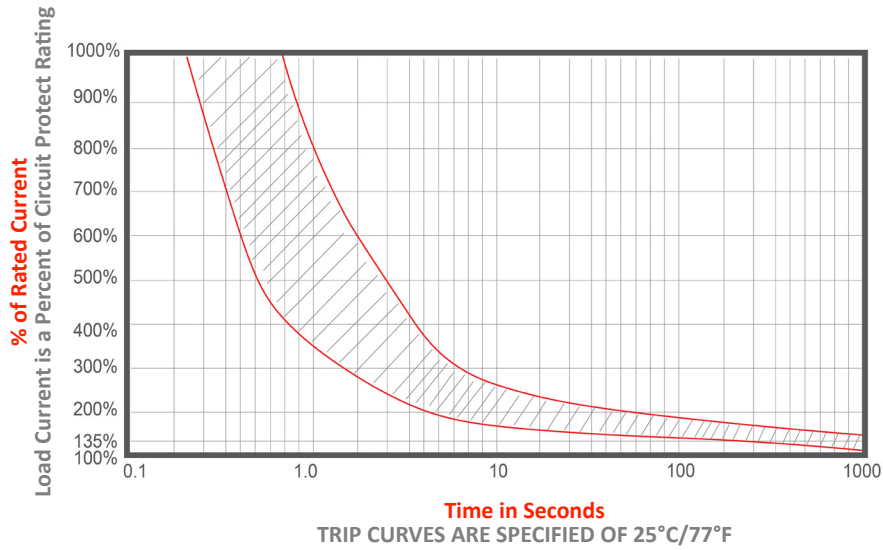
Material Specifications

Low Profile, Miniature Blade Circuit Breaker	
Body Material	Thermoplastic – (UL Rated 94V-0)
Terminals Material	Tin plated Copper Alloy

Interrupt Rating

Ampere Rated	Interrupt Rating
5A-10A version	100A @ 58 VDC
15A version	150A @ 58 VDC
20A version	200A @ 58 VDC
25A-30A version	300A @ 58 VDC

Time vs. Percent of Rated Current



Rev	Date of issue	Revision Notes	Designed	Approved
B	09-15-2023	updated format	RC	OF