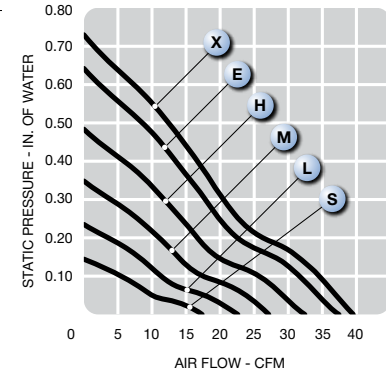
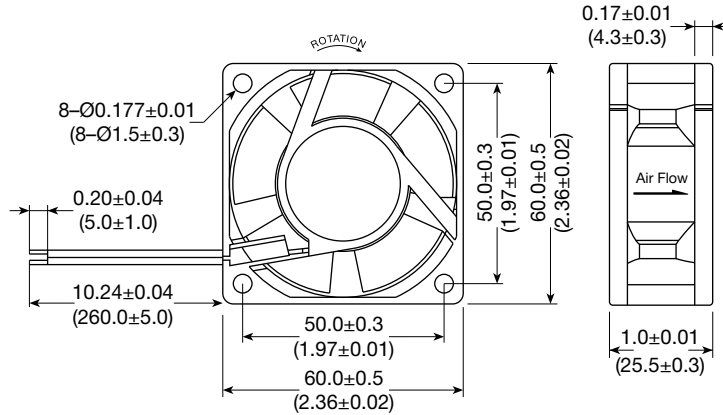


MR6025 series



(60 x 60 x 25 mm)

2.36 x 2.36 x 0.98 inches

Features: soft start, polarity protection, auto-restart

Operating Voltage: 12 or 24 VDC

Construction: UL94V-0 plastic impeller and frame

Bearing option: ball bearing or sleeve

Air Flow: air exhaust over struts

Options: tachometer output or locked rotor alarm signal; PWM speed control

Model No.	Rated Voltage VDC	Current A		Speed RPM	Air Volume		Max. Static Pressure (H ₂ O)		Sound Noise dBa	Weight g
		12	24		M ³ /Min.	CFM	MM	INCH		
MR6025S	12/24	0.09	0.05	3,500	0.48	17.07	3.55	0.14	31	55
MR6025L	12/24	0.15	0.075	4,500	0.62	21.94	5.87	0.23	35	55
MR6025M	12/24	0.21	0.11	5,500	0.76	26.82	8.77	0.35	40	55
MR6025H	12/24	0.32	0.14	6,500	0.90	31.70	12.25	0.48	46	55
MR6025E	12/24	0.31	0.16	7,500	1.04	36.58	16.31	0.64	50	55
MR6025X	12/24	0.36	0.18	8,000	1.10	39.02	18.56	0.73	51	55