

MPS ARCA 5040



Sample image

Order symbol: MPS ARCA 5040

Product nbr: 8120735

Description: Mounting plate (450x350x2 mm)

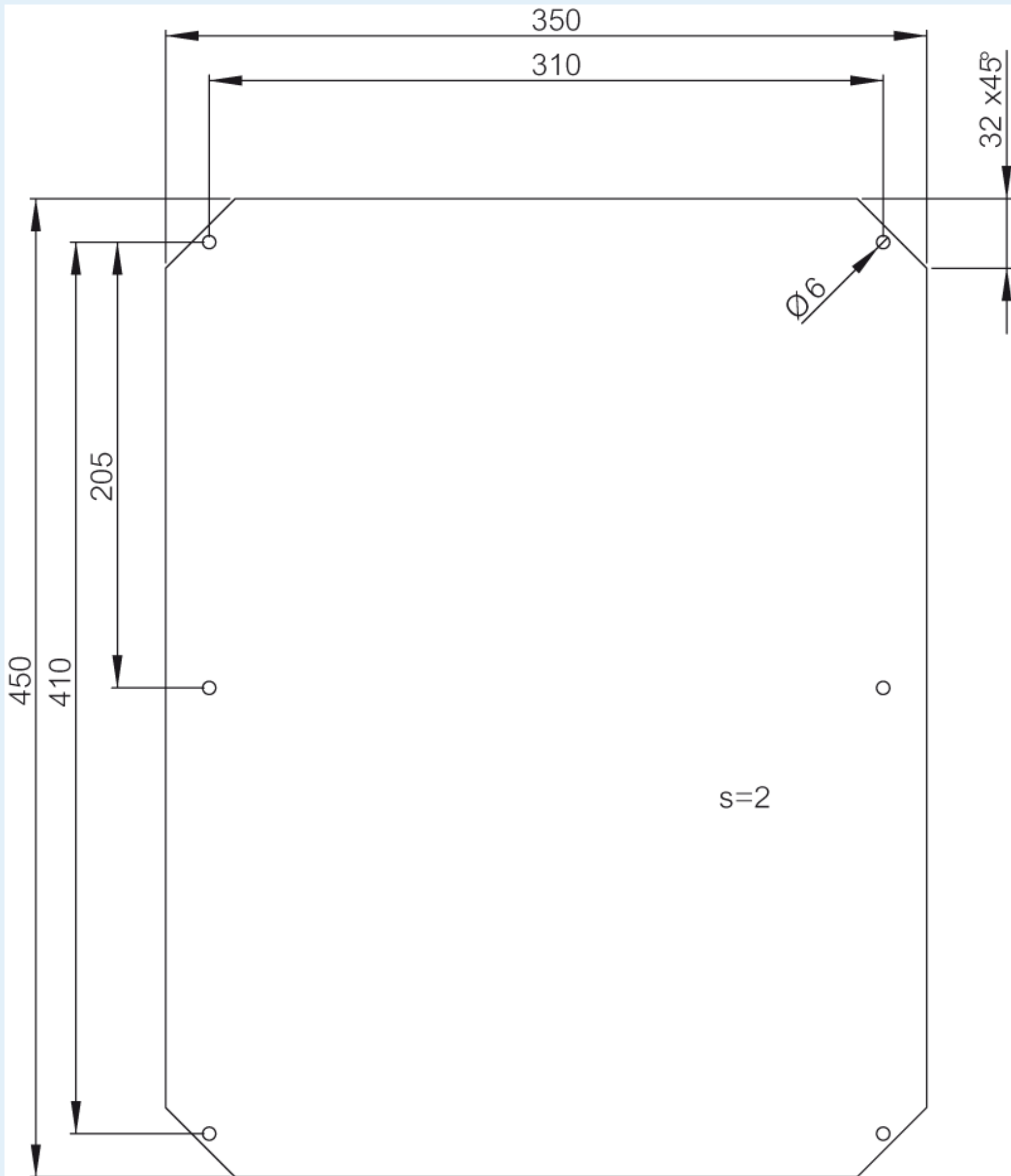
Remarks: Galvanized steel. for size 500x400x210

Including:

EAN: 6418074082589

El. number:

- Finland: 3423812
- Denmark: 8212094437
- Sweden: 2500185



Dimensions:

mm:	Height	Width	Depth
	450	350	2

Rating:

Ingress protection (EN 60529):

inch: 17.72 13.78 0.08

Materials:

Material:

Base colour:

Cover colour:

Gasket material:

Temperatures:

Temperature °C (short term)::

Temperature °C (continuous):

Temperature °F (short term):

Temperature °F (continuous):

Impact Resistance (EN 62262):

Electrical insulation: Not insulated

Halogen free (DIN/VDE 0472, Part 815): 0

UV resistance: -

Flammability Rating:

Glow Wire Test (IEC 695-2-1) °C: C

NEMA Class

Certificates: