

MPR | Folding handles with recessed tray

with return spring, technopolymer



- 1
- 2
- 3
- 4
- 5
- 6
- 7
- 8
- 9
- 10
- 11
- 12
- 13
- 14
- 15
- 16
- 17
- 18

MATERIAL

Glass-fibre reinforced polyamide based (PA) technopolymer, RAL 9005 black colour or grey RAL 7040 (C33) colour, matte finish.

STANDARD EXECUTION

Pass-through holes for M4 or M5 countersunk-head screws (not supplied).

ROTATION PIN AND RETURN SPRINGS

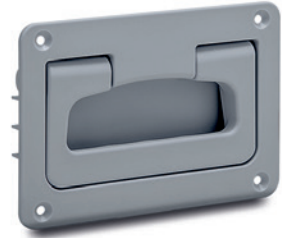
AISI 303 stainless steel pin, AISI 302 stainless steel springs.

TECHNICAL DATA

The lifting resistance (F1) and tensile strength (F2) values reported in the table are the result of permanent deformation by means of the appropriate dynamometric equipment under the test conditions shown in the figure with ambient temperature.

ASSEMBLY INSTRUCTIONS

Drill the handle housing according to the template dimensions.

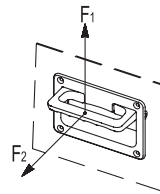
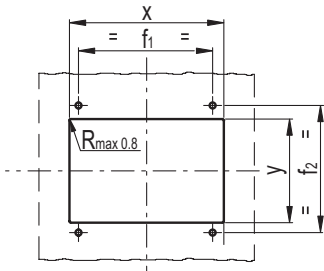


ELESA Original design



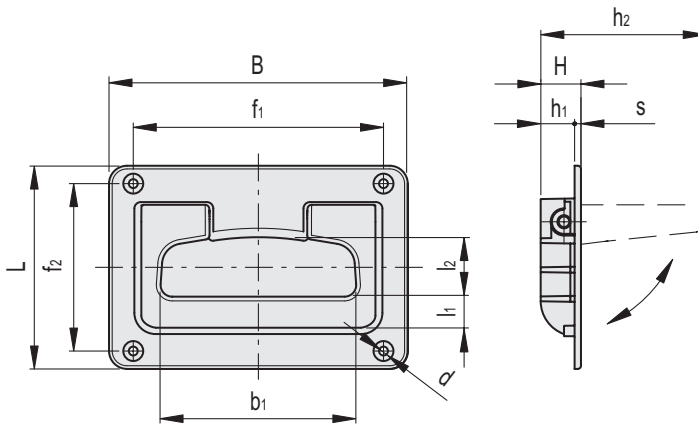
Drilling template

(remove all drilling burrs before fitting the handle)



	x	y	f1	f2
MPR.141	135 ^{+0,2}	65 ^{+0,2}	118 ^{+0,1}	79 ^{+0,1}
MPR.167	158 ^{-0,2}	86 ^{-0,2}	141 ^{+0,1}	98 ^{+0,1}

Conversion Table	
1 mm = 0.039 inch	
B	
mm	inch
141	5.55



METRIC

Code	Description	B	f1	f2	L	H	h1	h2	b1	l1	l2	s	d	F1 [N]	F2 [N]	Δ
43851	MPR.141	141	118	79	96	19	16	63	90	16.5	29	3	4.2	1650	2400	146
43851-C33	MPR.141-C33	141	118	79	96	19	16	63	90	16.5	29	3	4.2	1650	2400	146
43861	MPR.167	167	141	98	116	21	18	78	105	17	43	3	5.2	2000	2700	214
43861-C33	MPR.167-C33	167	141	98	116	21	18	78	105	17	43	3	5.2	2000	2700	214

Handles

2