

- 1
- 2
- 3
- 4
- 5
- 6
- 7
- 8
- 9
- 10
- 11
- 12
- 13
- 14
- 15
- 16
- 17
- 18

**MATERIAL**

Glass-fibre reinforced polyamide based (PA) technopolymer, white colour similar to RAL 9002, matte finish.

**STANDARD EXECUTION**

Pass-through holes for M4 or M5 countersunk-head screws (not supplied).

**ROTATION PIN AND RETURN SPRINGS**

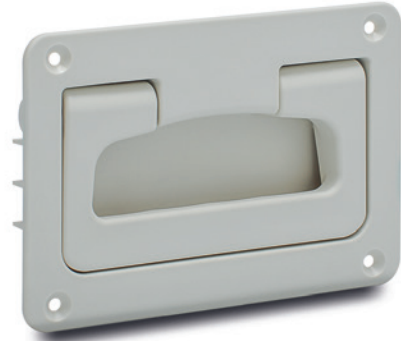
AISI 303 stainless steel pin, AISI 302 stainless steel springs.

**TECHNICAL DATA**

The lifting resistance (F1) and tensile strength (F2) values reported in the table are the result of permanent deformation by means of the appropriate dynamometric equipment under the test conditions shown in the figure with ambient temperature.

**ASSEMBLY INSTRUCTIONS**

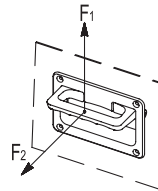
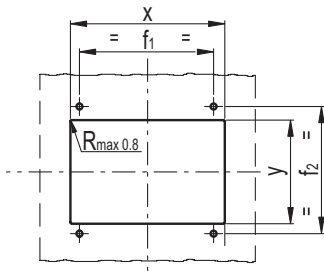
Drill the handle housing according to the template dimensions.



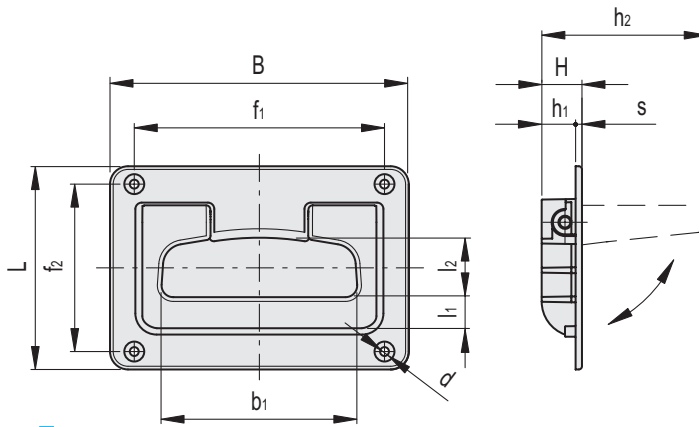
ELESA Original design



**Drilling template**  
(remove all drilling burrs before fitting the handle)



	x	y	f1	f2
MPR.141	135 <sup>+0.2</sup>	65 <sup>+0.2</sup>	118 <sup>+0.1</sup>	79 <sup>+0.1</sup>
MPR.167	158 <sup>-0.2</sup>	86 <sup>-0.2</sup>	141 <sup>+0.1</sup>	98 <sup>+0.1</sup>



Conversion Table 1 mm = 0.039 inch	
mm	inch
141	5.55

Code	Description	B	f1	f2	L	H	h1	h2	b1	l1	l2	s	d	F1 [N]	F2 [N]	⚖️
151061	MPR.141-CLEAN	141	118	79	96	19	16	63	90	16.5	29	3	4.2	1650	2400	146
151065	MPR.167-CLEAN	167	141	98	116	21	18	78	105	17	43	3	5.2	2000	2700	214