

- 1
- 2
- 3
- 4
- 5
- 6
- 7
- 8
- 9
- 10
- 11
- 12
- 13
- 14
- 15
- 16
- 17
- 18

**MATERIAL**

Glass-fibre reinforced polyamide based (PA) technopolymer, white colour similar to RAL 9002, matte finish.

**STANDARD EXECUTION**

Pass-through holes for countersunk-head screws with cross mark ISO-7046-1-M6 (not included in the supply).

**ROTATION PIN AND RETURN SPRINGS**

AISI 303 stainless steel pin, AISI 302 stainless steel springs.

**TECHNICAL DATA**

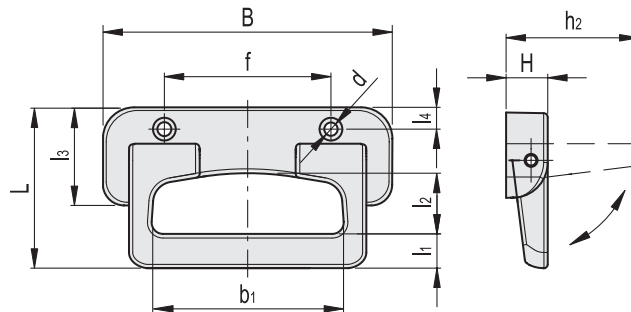
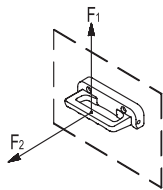
The lifting resistance (F1) and tensile strength (F2) values reported in the table are the result of permanent deformation by means of the appropriate dynamometric equipment under the test conditions shown in the figure with ambient temperature.

**ASSEMBLY INSTRUCTIONS**

Drill holes with centre distance 80 +0.1/-0.1 in the sheet.



ELESA Original design



Conversion Table	
1 mm = 0.039 inch	
B	
mm	inch
135	5.31

Code	Description	B	f	L	H	h2	b1	l1	l2	l3	l4	d	F1 [N]	F2 [N]	
151051	MPE.135-CLEAN	135	80	74	20	63	90	16.5	29	41	8	6.3	1700	2500	127