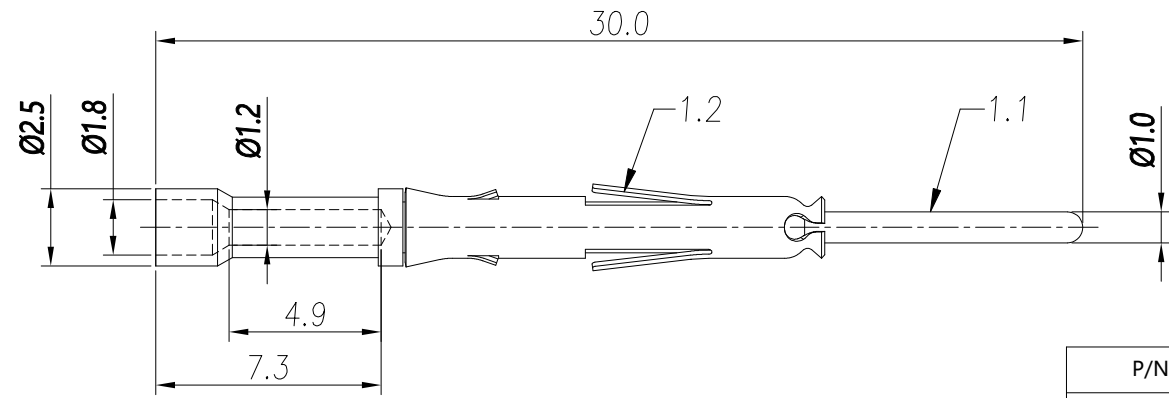


REVISIONS					
REV	ECO	DESCRIPTION	DATE	BY	APPR
B1	-	RELEASED DRAWING	JUN-18-2014	BEN	TOMMY
B2	-	ADDED MP20W23T,MP20W23S,MP20W23G5	AUG-2-2023	JUN	TOMMY



P/N	CONTACT PLATING(MATING AREA)
MP20W23T	TIN PLATING OVER NICKEL.
MP20W23S	SILVER PLATING OVER NICKEL.
MP20W23F	GOLD FLASH PLATING OVER NICKEL.
MP20W23G5	5µ"GOLD PLATING OVER NICKEL.
MP20W23G10	10µ"GOLD PLATING OVER NICKEL.
MP20W23G15	15µ"GOLD PLATING OVER NICKEL.
MP20W23G30	30µ"GOLD PLATING OVER NICKEL.

NOTES: (UNLESS OTHERWISE SPECIFIED)

- MATERIAL:
 - CONTACT BODY: COPPER ALLOY.
 - OUTER SPRING: STAINLESS STEEL.
- SPECIFICATIONS:
 - CURRENT RATING: 7.5A(MAX).
 - TERMINATION TYPE: CRIMPING.
 - WIRE RANGE: 20~22AWG.
- SUITABLE SOCKET TYPE: MS20W23xx.
- ROHS COMPLIANT.
- ALL DIMENSIONS ARE FOR REFERENCE USE ONLY.

TITLE: ECO-MATE PIN CONTACT MACHINE, 20-22AWG, SIZE 20
 DWG NO.: MP20W23xx
 REV: B2
 SH: 1
 OF: 1

QUANTITY	PART NUMBER	DESCRIPTION	ITEM
MATERIALS LIST			
<small>UNLESS OTHERWISE SPECIFIED</small> 1) All dimensions are in metric(mm). 2) Tolerances are as follows: 1 PL DEC ±0.30 Fractions ±1/64 2 PL DEC ±0.15 Angles ±1° 3 PL DEC ±0.08 3) Note reference =		Amphenol Sine Systems - www.amphenol-sine.com 44724 Morley Drive Clinton Township, MI 48036	
SIGNATURES DATE DRAWN: JUN AUG-2-2023 CHECKED: JOE AUG-4-2023 ENGINEER: APPROVAL: TOMMY AUG-6-2023		CUSTOMER: THIS DRAWING IS SUPPLIED FOR INFORMATION ONLY. DESIGN FEATURES, SPECIFICATIONS AND PERFORMANCE DATA SHOWN HEREON ARE THE PROPERTY OF THE AMPHENOL CORPORATION. NO RIGHTS OF REPRODUCTION ARE IMPLIED. ALL DIMENSIONS ARE SUBJECT TO NORMAL MANUFACTURING VARIATIONS.	
MATERIAL SPECIFICATIONS:		ECO-MATE, PIN CONTACT MACHINE, 20-22AWG, SIZE 20	
PROCESS SPECIFICATIONS:		SIZE: B TYPE: C- SCALE: NONE	DWG NO.: MP20W23xx REVISION: B2
NEXT ASSY:		SHEET 1 OF 1	