



MP Series Quartz Crystal

Features

- Standard HC-49/U Metal Package
- Fundamental and 3rd Overtone Crystal Design
- Frequency Range 1.8432 – 64MHz
- Frequency Tolerance, ±30ppm Standard
- Frequency Stability, ±50ppm Standard
- Operating Temperature Range -20°C to +70°C or -40°C to +85°C
- Tape and Reel Packaging Available



Part Dimensions:
13.46 × 10.85 × 3.8mm • 963.91mg

Applications

- Wireless Communications
- Broadband Access
- FPGA/Microcontrollers
- Computer Peripherals
- Microprocessors
- Test and Measurement
- Consumer Electronics
- Portable Equipment

Description

CTS MP Series incorporates a high Q quartz resonator in a proven resistance-weld metal package. It is ideal for supporting a wide range of commercial and industrial applications.

Ordering Information

Model	Frequency/Load Code	Packaging	Temperature Range	Product Options
MP	XXX or XXXX	-		
	Code Frequency		Code Temp. Range	
	Frequency/Load Code ¹		Blank -20°C to +70°C	
			E -40°C to +85°C	
		Code Packing		Code Option
		Blank Bulk ²		Blank No Option
		1 Tape & Reel ³		INS Insulation Spacer
		2 Radial Taping		SMMC Surface Mount Lead Form w/ Metal Clip Third Lead

Notes:

- 1] Refer to Standard Product Part Numbers tables on Page 2.
- 2] Standard packaging is bulk in a bag.
- 3] SMMC Product Option only.

**Not all performance combinations and frequencies may be available.
Contact your local CTS Representative or CTS Customer Service for availability.**

This product is specified for use only in standard commercial applications. Supplier disclaims all express and implied warranties and liability in connection with any use of this product in any non-commercial applications or in any application that may expose the product to conditions that are outside of the tolerances provided in its specification.



Standard Product Part Numbers

Part numbers in **BOLD** are commonly stock items through CTS authorized distributors. Non-bold numbers may be stocked or are available for order.

FREQUENCY [MHz]	PART NUMBER [-20°C/+70°C]	PART NUMBER [-40°C/+85°C]	LOAD CAPACITANCE	OPERATING MODE	FREQUENCY [MHz]	PART NUMBER [-20°C/+70°C]	PART NUMBER [-40°C/+85°C]	LOAD CAPACITANCE	OPERATING MODE
1.843200	MP018A	MP018A-E	Series	Fundamental	8.000000	MP080	MP080-E	Series	Fundamental
1.843200	MP018B	MP018B-E	18pF	Fundamental	8.000000	MP080A	MP080A-E	20pF	Fundamental
1.843200	MP018S	MP018S-E	13pF	Fundamental	8.000000	MP080B	MP080B-E	18pF	Fundamental
2.000000	MP020A	MP020A-E	Series	Fundamental	8.000000	MP080C	MP080C-E	32pF	Fundamental
2.000000	MP020S	MP020S-E	20pF	Fundamental	8.192000	MP081B	MP081B-E	18pF	Fundamental
2.000000	MP020B	MP020B-E	18pF	Fundamental	9.216000	MP092B	MP092B-E	18pF	Fundamental
2.457600	MP024S	MP024S-E	32pF	Fundamental	9.830400	MP098A	MP098A-E	Series	Fundamental
3.579545	MP036	MP036-E	Series	Fundamental	9.830400	MP098	MP098-E	20pF	Fundamental
3.579545	MP036S	MP036S-E	18pF	Fundamental	9.830400	MP098B	MP098B-E	18pF	Fundamental
3.686400	MP037A	MP037A-E	Series	Fundamental	10.000000	MP100	MP100-E	Series	Fundamental
3.686400	MP037	MP037-E	20pF	Fundamental	10.000000	MP100A	MP100A-E	20pF	Fundamental
3.686400	MP037B	MP037B-E	18pF	Fundamental	10.000000	MP100B	MP100B-E	18pF	Fundamental
4.000000	MP04A	MP04A-E	Series	Fundamental	10.000000	MP101	MP101-E	30pF	Fundamental
4.000000	MP040	MP040-E	20pF	Fundamental	10.738635	MP107	MP107-E	32pF	Fundamental
4.000000	MP040B	MP040B-E	18pF	Fundamental	11.000000	MP110B	MP110B-E	Series	Fundamental
4.032000	MP043A	MP043A-E	Series	Fundamental	11.000000	MP110A	MP110A-E	20pF	Fundamental
4.032000	MP043	MP043-E	20pF	Fundamental	11.000000	MP110	MP110-E	18pF	Fundamental
4.096000	MP042A	MP042A-E	20pF	Fundamental	11.059200	MP111	MP111-E	Series	Fundamental
4.194304	MP041	MP041-E	12pF	Fundamental	11.059200	MP111A	MP111A-E	20pF	Fundamental
4.915200	MP049A	MP049A-E	Series	Fundamental	11.059200	MP111B	MP111B-E	18pF	Fundamental
4.915200	MP042	MP042-E	20pF	Fundamental	11.059200	MP111C	MP111C-E	32pF	Fundamental
4.915200	MP049B	MP049B-E	18pF	Fundamental	12.000000	MP120	MP120-E	Series	Fundamental
5.000000	MP05B	MP05B-E	Series	Fundamental	12.000000	MP120A	MP120A-E	20pF	Fundamental
5.000000	MP05A	MP05A-E	20pF	Fundamental	12.000000	MP120B	MP120B-E	18pF	Fundamental
5.000000	MP050C	MP050C-E	18pF	Fundamental	12.000000	MP120C	MP120C-E	32pF	Fundamental
5.068000	MP050	MP050-E	Series	Fundamental	12.288000	MP122C	MP122C-E	Series	Fundamental
5.068000	MP051A	MP051A-E	20pF	Fundamental	12.288000	MP122A	MP122A-E	20pF	Fundamental
5.185000	MP052	MP052-E	Series	Fundamental	12.288000	MP122B	MP122B-E	18pF	Fundamental
5.185000	MP051	MP051-E	20pF	Fundamental	12.288000	MP122	MP122-E	32pF	Fundamental
5.185000	MP052C	MP052C-E	32pF	Fundamental	14.318180	MP143	MP143-E	Series	Fundamental
5.500000	MP055B	MP055B-E	18pF	Fundamental	14.318180	MP143B	MP143B-E	18pF	Fundamental
5.714300	MP057	MP057-E	Series	Fundamental	14.745600	MP147	MP147-E	Series	Fundamental
5.714300	MP057A	MP057A-E	20pF	Fundamental	14.745600	MP147A	MP147A-E	20pF	Fundamental
6.000000	MP060A	MP060A-E	Series	Fundamental	14.745600	MP147B	MP147B-E	18pF	Fundamental
6.000000	MP060	MP060-E	20pF	Fundamental	15.000000	MP150	MP150-E	Series	Fundamental
6.000000	MP060B	MP060B-E	18pF	Fundamental	16.000000	MP160	MP160-E	Series	Fundamental
6.000000	MP060C	MP060C-E	32pF	Fundamental	16.000000	MP160A	MP160A-E	20pF	Fundamental
6.144000	MP061	MP061-E	20pF	Fundamental	16.000000	MP160B	MP160B-E	18pF	Fundamental
6.144000	MP061C	MP061C-E	32pF	Fundamental	18.000000	MP180	MP180-E	Series	Fundamental
6.250000	MP062	MP062-E	30pF	Fundamental	18.432000	MP184	MP184-E	Series	Fundamental
6.400000	MP064	MP064-E	20pF	Fundamental	18.432000	MP184A	MP184A-E	20pF	Fundamental
6.553600	MP065	MP065-E	20pF	Fundamental	18.432000	MP184B	MP184B-E	18pF	Fundamental
6.553600	MP065C	MP065C-E	12pF	Fundamental	19.660800	MP196	MP196-E	Series	Fundamental
7.372800	MP073	MP073-E	Series	Fundamental	19.660800	MP196A	MP196A-E	20pF	Fundamental
7.372800	MP073A	MP073A-E	20pF	Fundamental	19.660800	MP196B	MP196B-E	18pF	Fundamental
7.372800	MP073B	MP073B-E	18pF	Fundamental					



Standard Product Part Numbers Continued

Part numbers in **BOLD** are commonly stock items through CTS authorized distributors. Non-bold numbers may be stocked or are available for order.

FREQUENCY [MHz]	PART NUMBER [-20°C/+70°C]	PART NUMBER [-40°C/+85°C]	LOAD CAPACITANCE	OPERATING MODE
20.000000	MP200	MP200-E	Series	Fundamental
20.000000	MP200A	MP200A-E	20pF	Fundamental
20.000000	MP200B	MP200B-E	18pF	Fundamental
22.118400	MP221A	MP221A-E	Series	Fundamental
22.118400	MP221	MP221-E	20pF	Fundamental
22.118400	MP221B	MP221B-E	18pF	Fundamental
24.000000	MP240	MP240-E	Series	Fundamental
24.000000	MP240A	MP240A-E	20pF	Fundamental
24.000000	MP240B	MP240B-E	18pF	Fundamental
24.576000	MP245	MP245-E	Series	Fundamental
24.576000	MP245B	MP245B-E	18pF	Fundamental
25.000000	MP250	MP250-E	Series	Fundamental
25.000000	MP250A	MP250A-E	20pF	Fundamental
25.000000	MP250B	MP250B-E	18pF	Fundamental
27.000000	MP270	MP270-E	Series	3rd Overtone
27.000000	MP270B	MP270B-E	18pF	3rd Overtone
32.000000	MP320A	MP320A-E	20pF	3rd Overtone
32.000000	MP320B	MP320B-E	18pF	3rd Overtone
32.768000	MP327B	MP327B-E	18pF	3rd Overtone
36.000000	MP360	MP360-E	Series	3rd Overtone
40.000000	MP400	MP400-E	20pF	3rd Overtone
48.000000	MP480	MP480-E	Series	3rd Overtone
48.000000	MP480A	MP480A-E	20pF	3rd Overtone
48.000000	MP480B	MP480B-E	18pF	3rd Overtone
50.000000	MP500B	MP500B-E	18pF	3rd Overtone
64.000000	MP640B	MP640B-E	18pF	3rd Overtone



Electrical Specifications

Operating Conditions

PARAMETER	SYMBOL	CONDITIONS	MIN	TYP	MAX	UNIT
Operating Temperature	T_A	-	-20 -40	+25	+70 +85	°C
Storage Temperature	T_{STG}	-	-40	-	+125	°C

Frequency Stability

PARAMETER	SYMBOL	CONDITIONS	MIN	TYP	MAX	UNIT
Frequency Range						
Fundamental	f_0	-		1.8432 - 30		MHz
3rd Overtone				24 - 64		
Frequency Tolerance	$\Delta f/f_0$	@ +25°C	-30	-	30	ppm
Frequency Stability	$\Delta f/f_{25}$	Referenced to +25°C reading	-50	-	50	ppm
Aging	$\Delta f/f_0$	Typical per year @ +25°C	-5	±3	5	ppm

Crystal Parameters

PARAMETER	SYMBOL	CONDITIONS	MIN	TYP	MAX	UNIT
Operating Mode	-	-	Fundamental or 3rd Overtone			-
Crystal Cut	-	-	AT-Cut			-
Load Capacitance	C_L	-	Note 1			pF
Shunt Capacitance	C_0	-	-	-	7.0	pF
Series Resistance						
		1.8MHz - <2.0MHz	-	-	600	
		2.0MHz - <3.0MHz	-	-	500	
		3.0MHz - <3.5MHz	-	-	150	
		3.5MHz - <4.0MHz	-	-	120	
		4.0MHz - <5.0MHz	-	-	100	
Fundamental	R_1	5.0MHz - <6.0MHz	-	-	80	Ω
		6.0MHz - <7.0MHz	-	-	60	
		7.0MHz - <8.0MHz	-	-	50	
		8.0MHz - <10.0MHz	-	-	40	
		10.0MHz - <13.0MHz	-	-	30	
		13.0MHz - 30.0MHz	-	-	25	
3rd Overtone		24.0MHz - 64.0MHz	-	-	55	
Drive Level	DL	-	-	100	1000	μW
Insulation Resistance	R_i	+100Vdc ±15Vdc	500	-	-	MΩ

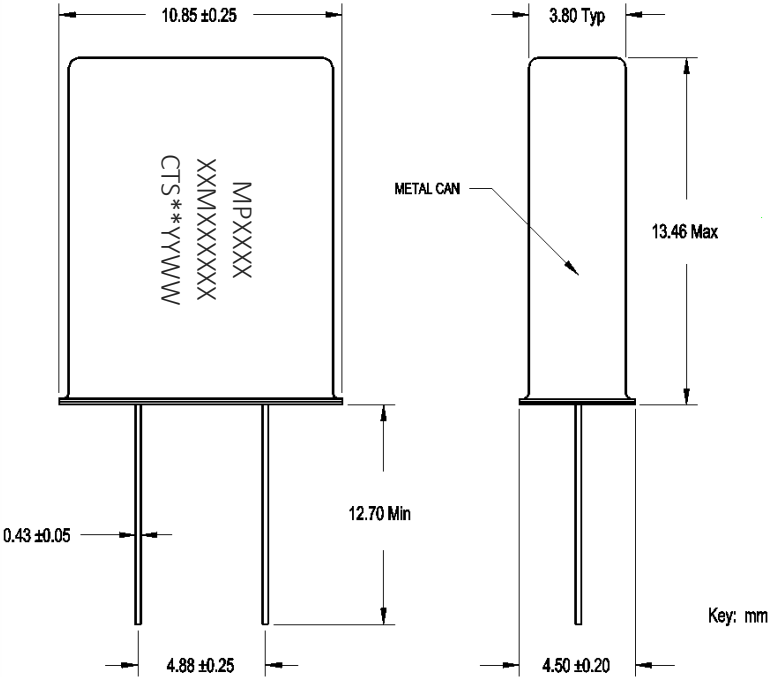
1.] Refer to Standard Product Part Numbers table on Pages 2.

$\Delta f/f_0$ - Frequency deviation referenced to nominal frequency.

$\Delta f/f_{25}$ - Frequency deviation over operating temperature range, referenced to +25°C frequency.

Mechanical Specifications

MP Package Drawing



Marking Information

1. MPXXXX – CTS Part Number.
[Per Ordering Information format.]
XXMXXXXXX – Frequency is marked with only leading significant digits before the ‘M’ and 4 – 6 digits after the ‘M’ [including zeros].
Ex. XMXXXXXX – 3M579545
XXMXXXXXX – 14M31818
XXMXXXXXX – 20M0000
2. ** – Manufacturing Site Code.
3. YYWW – Date Code; YY = year, WW = week.

Key: mm

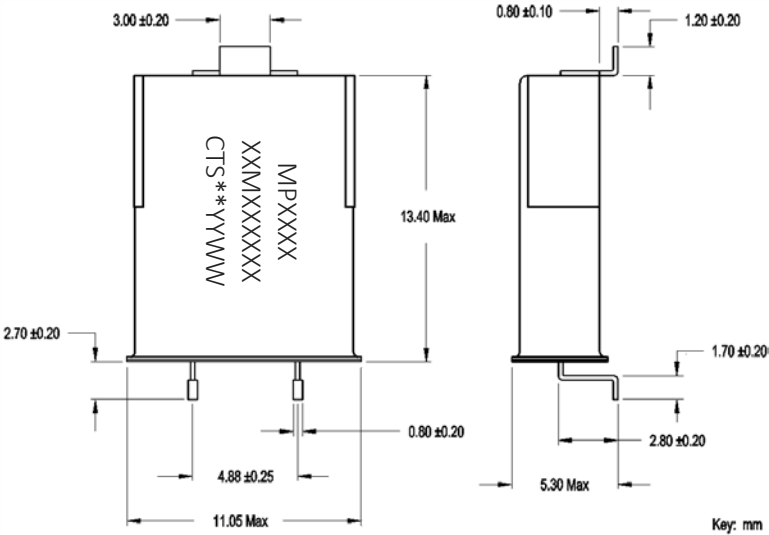
Schematic



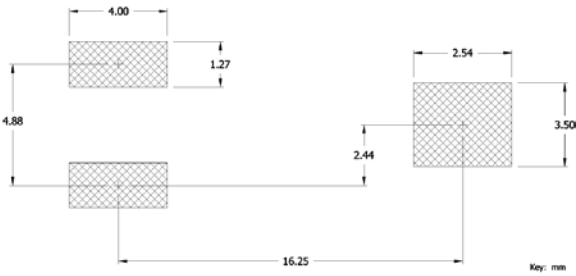
Notes

1. JEDEC termination code (e1). Barrier-plating is nickel [Ni] with tin-silver-copper [SnAgCu] lead finish.
2. Manual soldering with application to PCB and device terminals, 2 times. Solder iron temperature [@ tip] +350°C maximum, 10 seconds maximum.
3. MSL = 1.

MP-SMMC – Package Drawing



Recommended Pad Layout

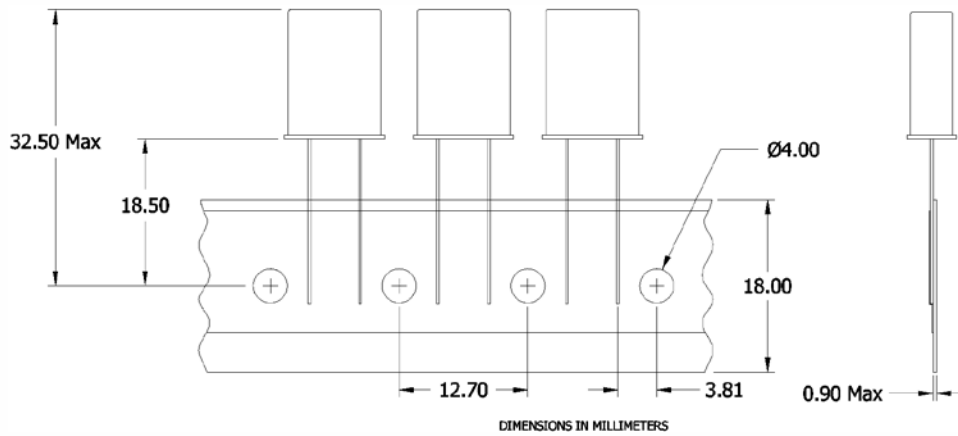


Packaging – MP, Bulk in Bag or Radial Taping

Bulk in Bag – Standard

Packaging is bulk in anti-static plastic bag.

Radial Taping – Optional

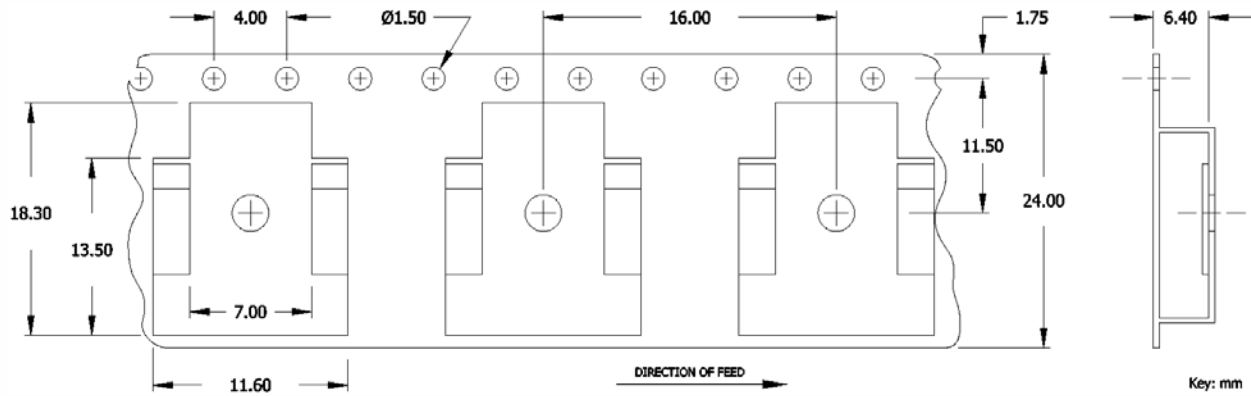


Notes

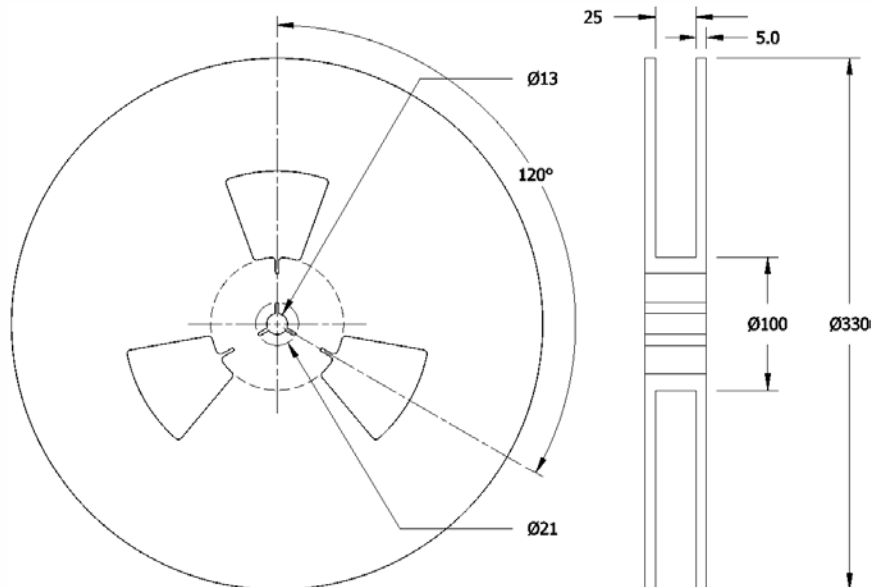
1. Complete CTS part number, frequency value, date code and manufacturing site code information must appear on bag, reel and carton labels.

Packaging – MP-SMMC, Tape and Reel

Tape Drawing



Reel Drawing



Notes

1. Complete CTS part number, frequency value, date code and manufacturing site code information must appear on reel and carton labels.