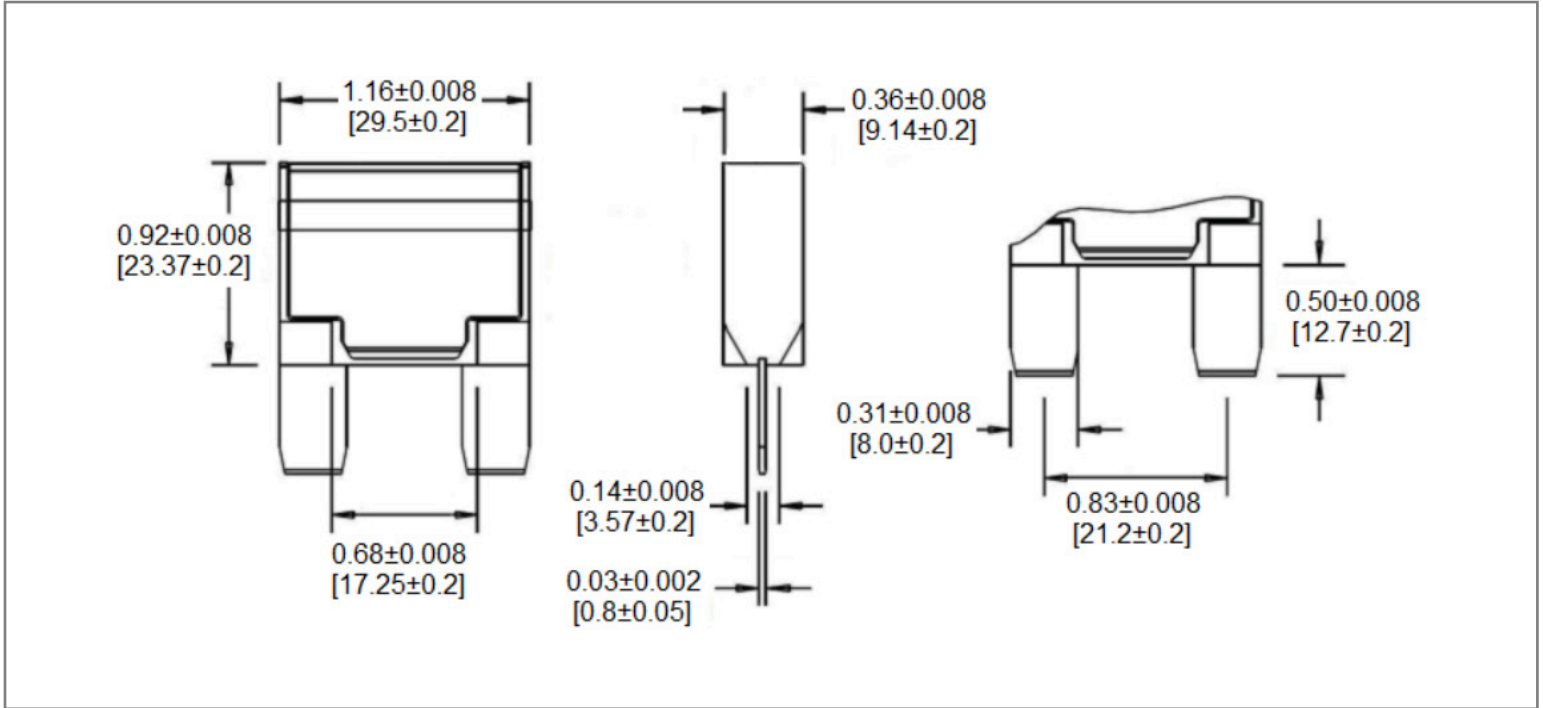


Mechanical Dimensions: Inches [mm]



Part Numbers Information

| Optifuse P/N | Amperage |
|--------------|----------|
| MOCBM-PX-6A | 6A |
| MOCBM-PX-8A | 8A |
| MOCBM-PX-10A | 10A |
| MOCBM-PX-15A | 15A |
| MOCBM-PX-20A | 20A |
| MOCBM-PX-25A | 25A |
| MOCBM-PX-30A | 30A |
| MOCBM-PX-35A | 35A |
| MOCBM-PX-40A | 40A |
| MOCBM-PX-50A | 50A |

Electrical Specifications

| | |
|------------------------------|--------------------------|
| Voltage Rating | 14VDC |
| Reset Type | Type II - Modified Reset |
| Operation Temperature | -40°C ~ 85°C |
| Testing | SAE J553 Type II |

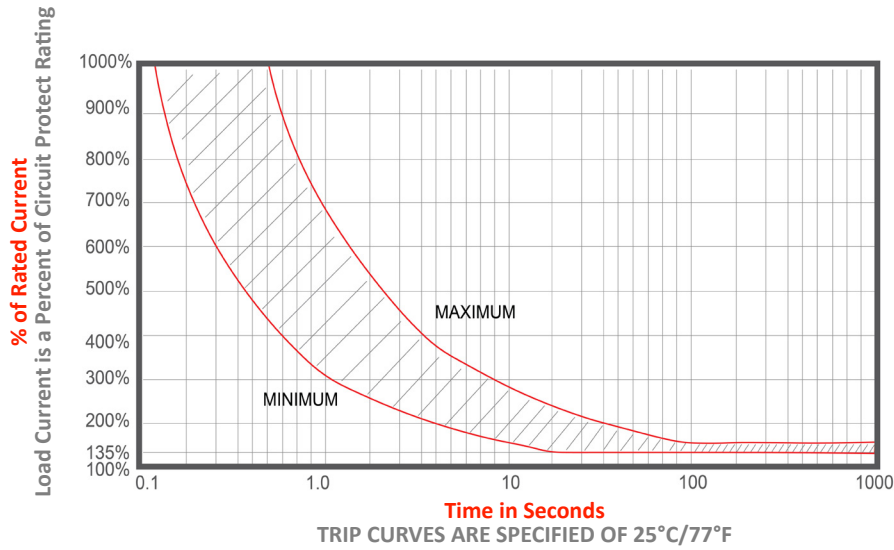
Material Specifications

| | |
|----------------------------|---------------------------------------|
| Maxi Blade Circuit Breaker | |
| Body Material | Grey Thermoplastic - (UL Rated 94V-0) |
| Terminals Material | Brass, Tin Plated |

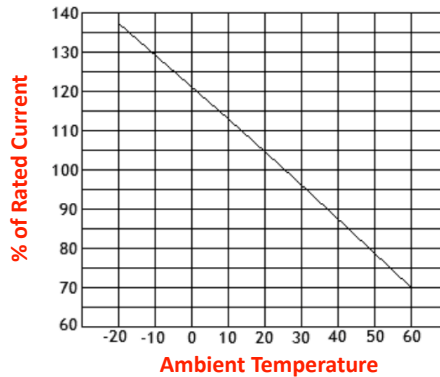
Interrupt Rating

| Ampere Rated | Interrupt Rating |
|-------------------|------------------|
| 6A - 10A version | 150A @ 14VDC |
| 15A version | 225A @ 14VDC |
| 20A version | 300A @ 14VDC |
| 25A - 30A version | 450A @ 14VDC |
| 35A - 40A version | 600A @ 14VDC |
| 50A version | 750A @ 14VDC |

Time vs. Percent of Rated Current



Temperature Derating Curve



Rev Date of issue Revision Notes

Designed Approved

| | | | | |
|---|------------|----------------|----|----|
| B | 09-15-2023 | updated format | RC | OF |
|---|------------|----------------|----|----|