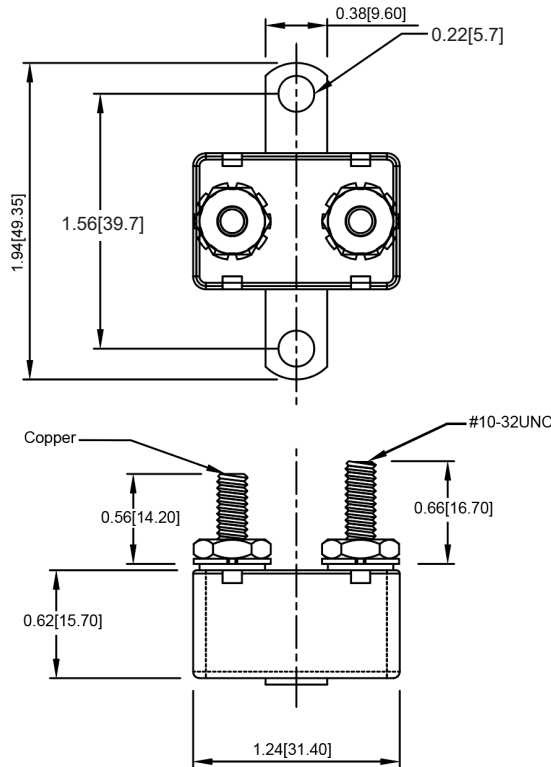
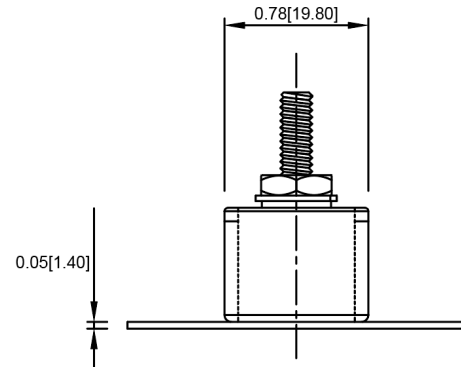


Mechanical Dimensions: Inches [mm]



Tolerances Unless Otherwise Specified

Size(mm)	x.x	x.xx	x.xxx
Tol(mm)	1.0	0.5	0.25



Part Numbers Information

Optifuse P/N	Current
MOCB-24-H-10A	10A
MOCB-24-H-15A	15A
MOCB-24-H-20A	20A
MOCB-24-H-25A	25A
MOCB-24-H-30A	30A
MOCB-24-H-40A	40A
MOCB-24-H-50A	50A

Time vs. Percent of Rated Current

% of Rated Current	Min Trip Time	Max Trip Time
100%	30m	-
135%	-	30m
200%	-	1m

Electrical Specifications

Voltage	24VDC
Reset Type	Type II - Modified Reset
Interrupting Rating	2000A@24VDC
Operation Temperature	-40°C~ 80°C
Compliances	SAE J553

Material Specification

Body Material	Plated Steel
Terminals Material	Battery – Copper, Auxiliary – Zinc
Terminals Configuration	#10-32 Stud
Mounting Type	Bracket attached crosswise the case

**10-32 Stud (Shortstop Style)
Circuit Breakers**

MOCB-24-H



Rev Date of issue Revision Notes

Designed Approved

B	08-25-2023	Initial Drawing	RC	OF
---	------------	-----------------	----	----