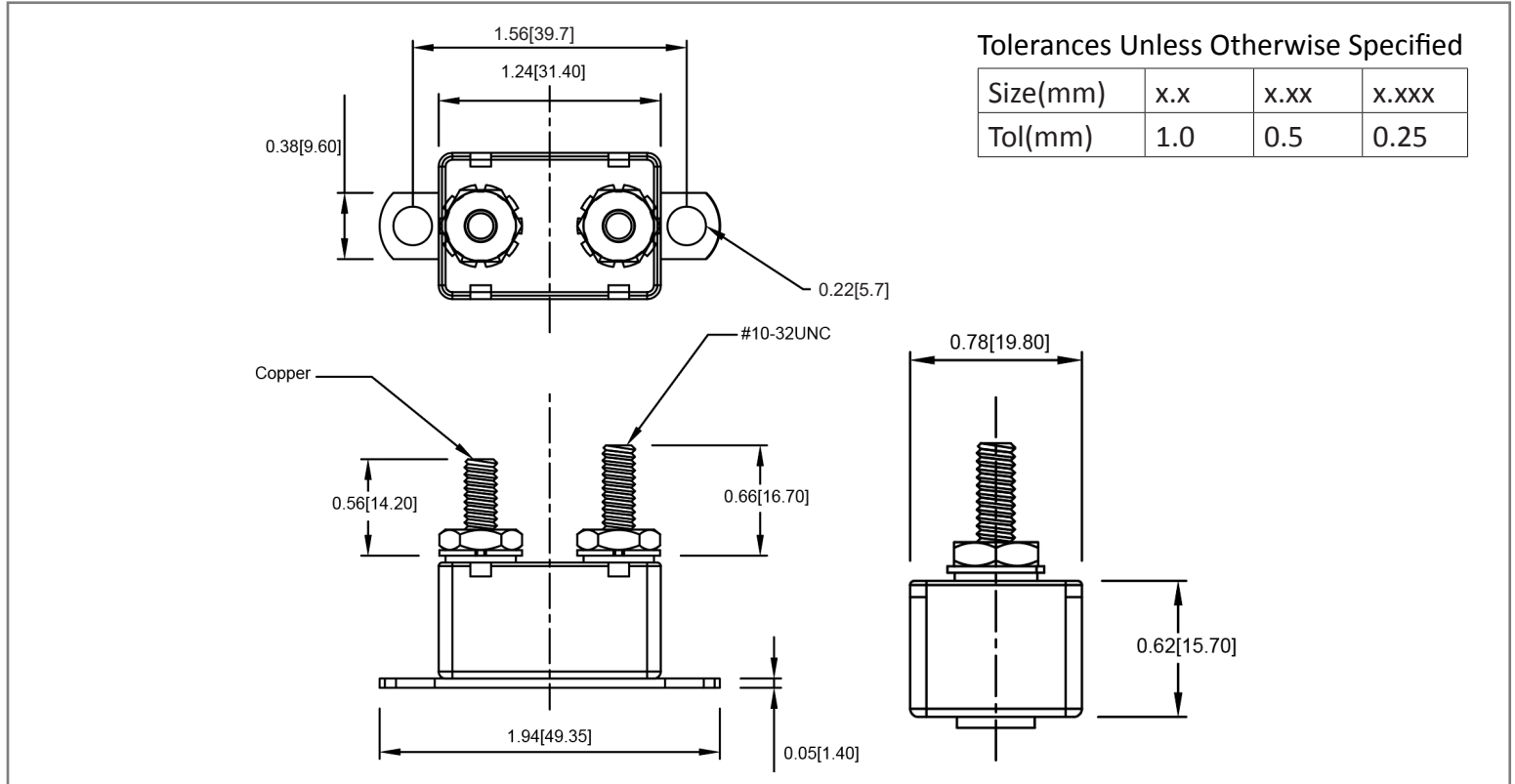


Mechanical Dimensions: Inches [mm]



Part Numbers Information

Optifuse P/N	Current
MOCB-12-V-10A 10A	10A
MOCB-12-V-15A 15A	15A
MOCB-12-V-20A 20A	20A
MOCB-12-V-25A 25A	25A
MOCB-12-V-30A 30A	30A
MOCB-12-V-40A 40A	40A
MOCB-12-V-50A 50A	50A

Time vs. Percent of Rated Current

% of Rated Current	Min Trip Time	Max Trip Time
100%	30m	-
135%	-	30m
200%	-	1m

Electrical Specifications

Voltage	12VDC
Reset Type	Type II - Modified Reset
Interrupting Rating	1500A@12VDC
Operation Temperature	-40°C ~ 80°C
Compliances	SAE J553

Material Specification

Body Material	Plated Steel
Terminals Material	Battery – Copper, Auxiliary – Zinc
Terminals Configuration	#10-32 Stud
Mounting Type	Bracket attached crosswise the case

**10-32 Stud (Shortstop Style)
Circuit Breaker**

MOCB-12-V



Rev Date of issue Revision Notes

Designed Approved

B	08-23-2023	format and tolerancing update	RC	OF
---	------------	-------------------------------	----	----