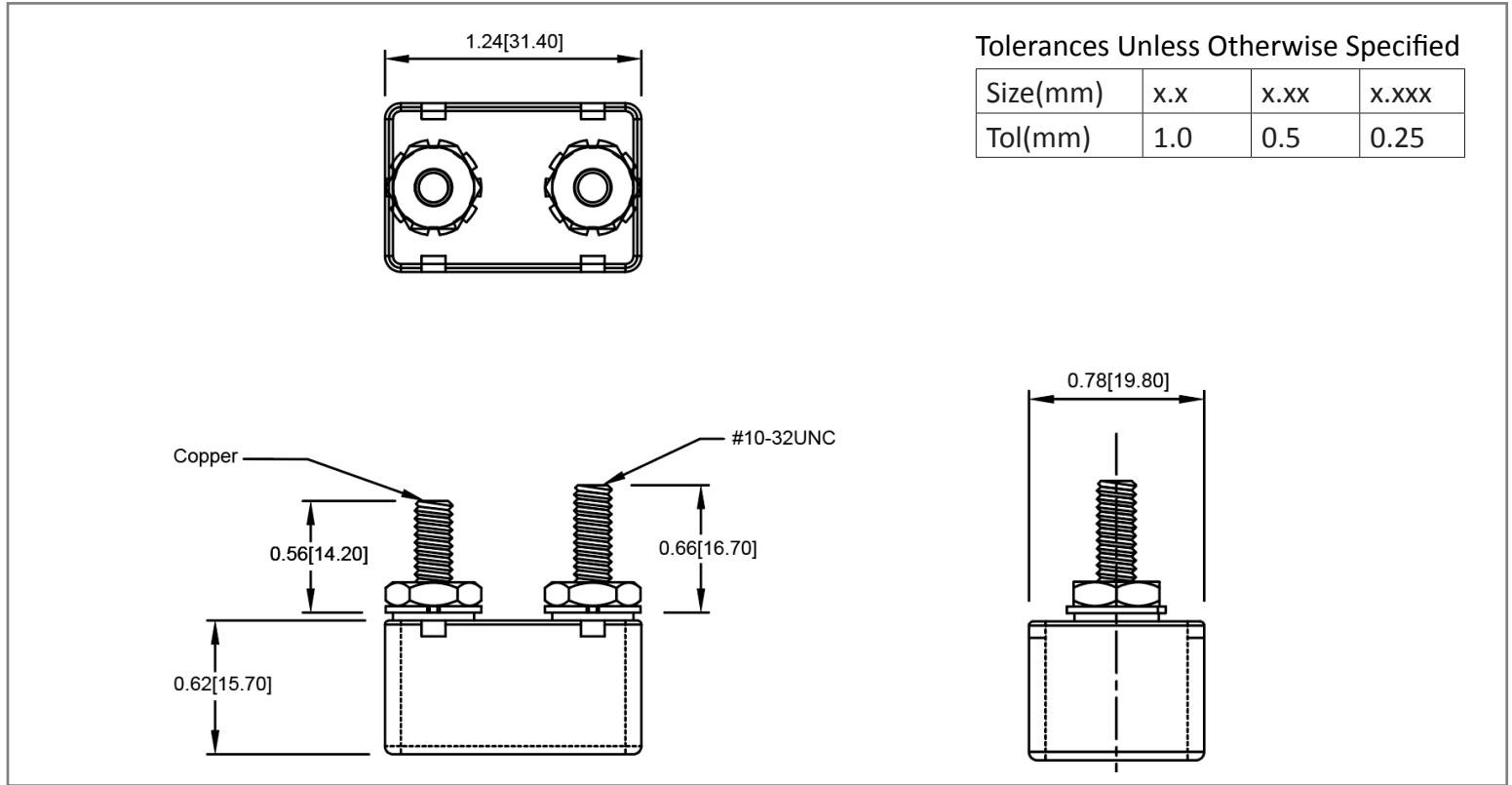


### Mechanical Dimensions: Inches [mm]



Tolerances Unless Otherwise Specified

Size(mm)	x.x	x.xx	x.xxx
Tol(mm)	1.0	0.5	0.25

### Part Numbers Information

Optifuse P/N	Current
MOCB-12-N-10A	10A
MOCB-12-N-15A	15A
MOCB-12-N-20A	20A
MOCB-12-N-25A	25A
MOCB-12-N-30A	30A
MOCB-12-N-40A	40A
MOCB-12-N-50A	50A

### Time vs. Percent of Rated Current

% of Rated Current	Min Trip Time	Max Trip Time
100%	30m	-
135%	-	30m
200%	-	1m

### Electrical Specifications

<b>Voltage</b>	12VDC
<b>Reset Type</b>	Type II - Modified Reset
<b>Interrupting Rating</b>	1500A@12VDC
<b>Operation Temperature</b>	-40°C ~ 80°C
<b>Compliances</b>	SAE J553

### Material Specification

<b>Body Material</b>	Plated Steel
<b>Terminals Material</b>	Battery – Copper, Auxiliary – Zinc
<b>Terminals Configuration</b>	#10-32 Stud
<b>Mounting Type</b>	Stud Mounted

**10-32 Stud (Shortstop Style)  
Circuit Breaker**

**MOCB-12-N**



**Rev      Date of issue      Revision Notes**

**Designed      Approved**

B	08-23-2023	format and tolerancing update	RC	OF
---	------------	-------------------------------	----	----