

Type MIDA
Fast Acting Automotive (MIDI®)*
Limiter Fuse
30mm Center to Center Bolt-On



www.optifuse.com (619) 593-5050

Ampere: 30A ~ 200A

Voltage: 32 VDC

Material: Housing – PEI (UL 94-V0)

Connections: Zinc-alloy, 2 x M5/M6 bolts, distance 30mm 30~150A: M5 bolts 200A: M6 bolts

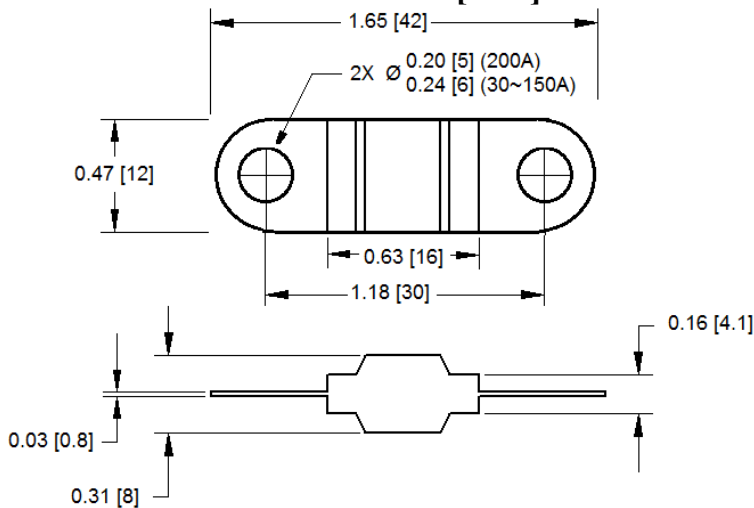
Recommended Tightening Torque: 2.0-3.0 Nm

Electrical Characteristics:

Rating	110%	150%	200%	300%	500%
Opening Time	> 4 hr.	90 sec ~ 3600 sec	1 sec ~ 100 sec	300ms ~ 3sec	100ms ~ 1sec

- Opening times based on ambient temperature of 23° C

Product Dimensions: Inches [mm]



Product Information

Part Number	Ampere Rating	Stamp Color Code
MIDA-030	30	Orange
MIDA-040	40	Green
MIDA-050	50	Red
MIDA-060	60	Yellow
MIDA-070	70	Brown
MIDA-080	80	Clear
MIDA-100	100	Blue
MIDA-125	125	Pink
MIDA-150	150	Gray
MIDA-200	200	Violet

Note: All specifications subject to change without notice.

* MIDI® is a registered trademark of Littelfuse.

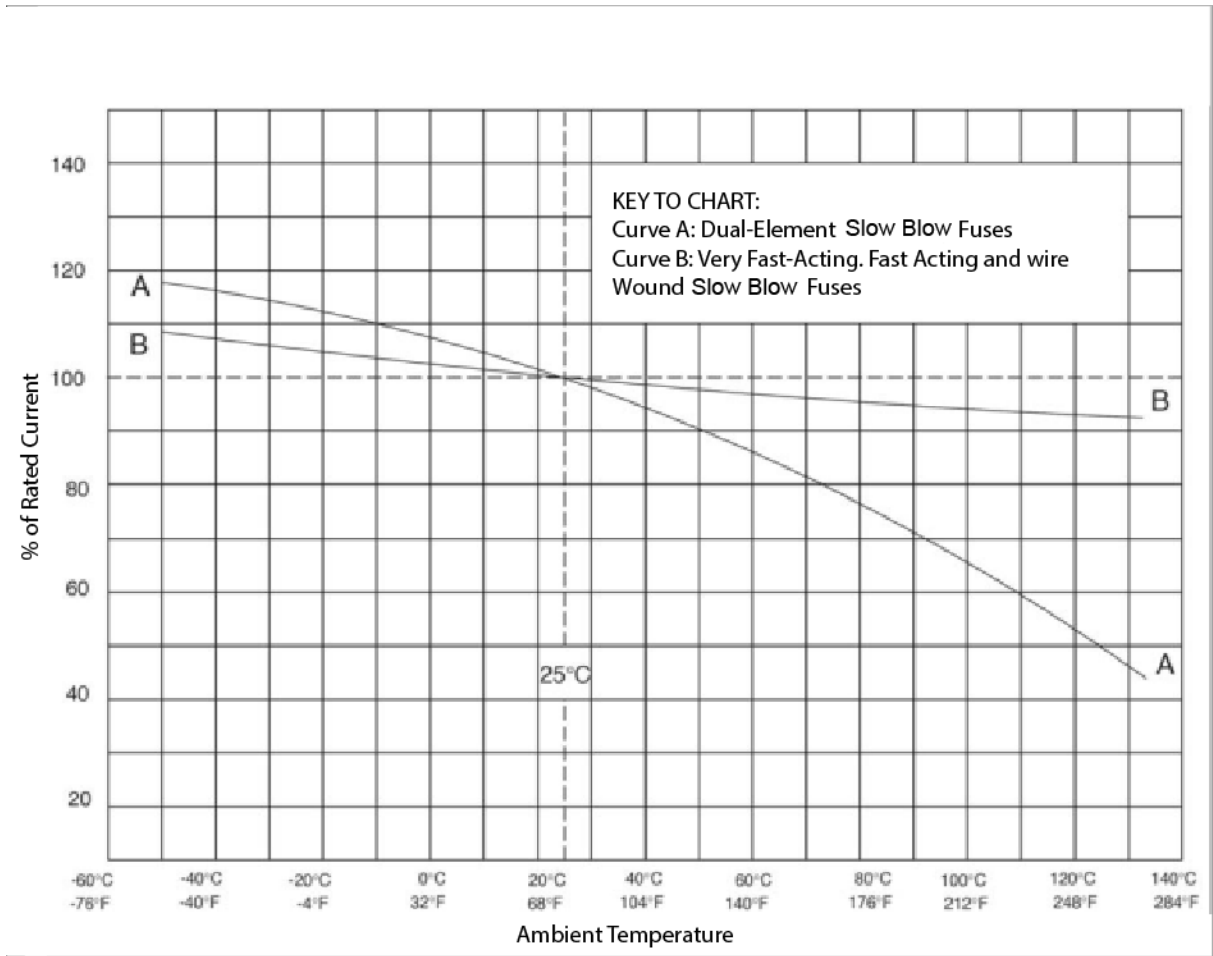
**Type MIDA
Fast Acting Automotive (MIDI®)*
Limiter Fuse
30mm Center to Center Bolt-On**



www.optifuse.com (619) 593-5050

Temperature Derating Curves:

The time/current characteristic curve depends on the ambient temperature prevailing, in order to eliminate nuisance tripping.



	<p>Warning: -Operation beyond the specified maximum ratings or improper use may result in damage and possible electrical arcing and/or flame.</p>
	<p>-Limiter Fuses are intended for occasional overcurrent protection. Application for repeated overcurrent condition and/or prolonged trip are not anticipated.</p> <p>-Avoid contact of Limiter Fuses with chemical solvent. Prolonged contact will damage the device performance.</p>