

MATERIAL

Weldable black-oxide steel.

ROTATING PINS

Hardened, black-oxide and ground steel.

SUPPORT BUSHING

Hardened, black-oxide and ground steel.

FEATURES AND APPLICATIONS

MGC.L toggle-joint mechanisms are suitable for a wide range of applications as different parts and accessories can be welded together to create a customised toggle clamp that is able to satisfy all clamping requirements.

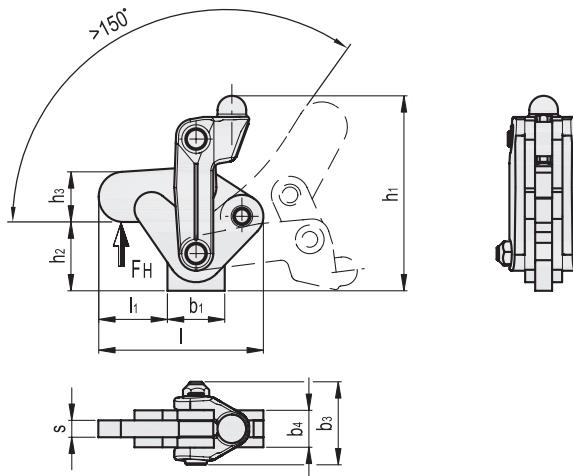
High-quality materials make Long Life series toggle clamps suitable for medium to heavy loads on welding jigs, carpentry works, moulds and in general whenever high clamping torque and repetitive movements are required.

Certified for 1.000.000 cycles.

ACCESSORIES ON REQUEST

ALL: (see page 1613)

- Handle;
- control lever;
- clamping lever;
- sleeve;
- base.



METRIC

Code	Description	b1	b3	b4	h1	h2	h3	l	l1	s	FH [N]*	⚖️
GG.AA710	MGC.LSH01	20	29	13	68	24	17.5	57.5	24	6	2200	268
GG.AA735	MGC.LSH02	30	42.5	20	113	42	28	85.5	32	10	4400	820
GG.AA760	MGC.LSH03	50	52	24	148	57	35	115	40.5	12	8500	1600
GG.AA785	MGC.LSH04	60	68	32	183	66.5	40.5	147.5	55.5	16	15400	3065

* Holding force.