

# MFA. Push-pull clamps

Steel



- 1
- 2
- 3
- 4
- 5
- 6
- 7
- 8
- 9
- 10
- 11
- 12
- 13
- 14
- 15
- 16
- 17
- 18

## MATERIAL

C10 zinc-plated steel.

## RIVETS

Zinc-plated steel.

## PUSH LEVER

Zinc-plated steel.

## REFERENCE BUSHING

Zinc-plated brass.

## NUT

Zinc-plated steel.

## HANDLE

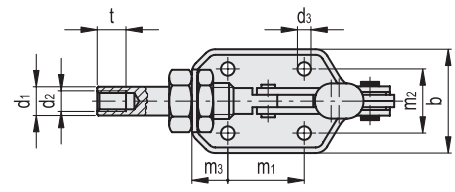
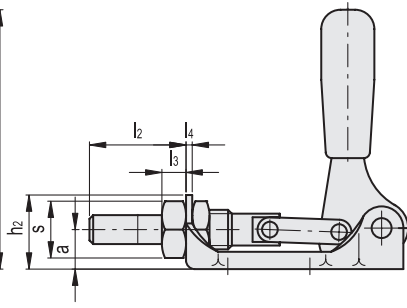
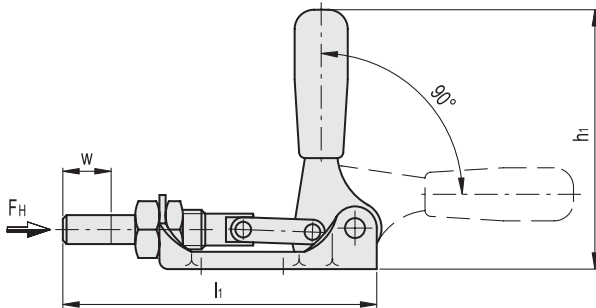
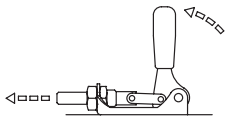
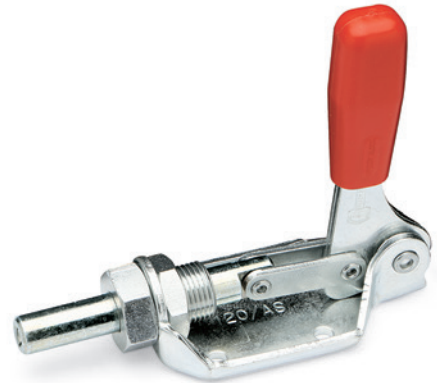
Polyurethane, red colour.

## CLAMPING BOLTS

To be ordered separately.

## FEATURES AND APPLICATIONS

All articulated joints are lubricated with special grease.  
MFA. clamps ensure only perfect push clamping.



**METRIC**

Code	Description	a	b	d1	d2	d3	h1	h2	l1	l2	l3	l4	m1	m2	m3	s	t	Stroke w	FH [N]*	$\Delta$
GG.AG120	MFA.120-AS	17	48	12	M6	5.5	111	32	130	40	10	3	34	30	18	24	12	20	3600	350
GG.AG300	MFA.300-AS	20	58	14	M8	6.5	140	36	167	57	12	3	50	34	18	27	16	33	7200	560

1626 \* Holding force.



Models all rights reserved in accordance with the law. Always mention the source when reproducing our drawings and photos.

