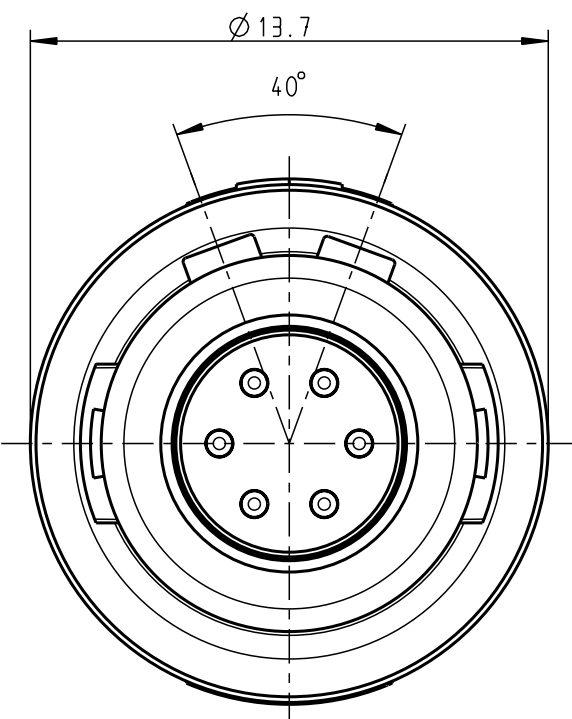
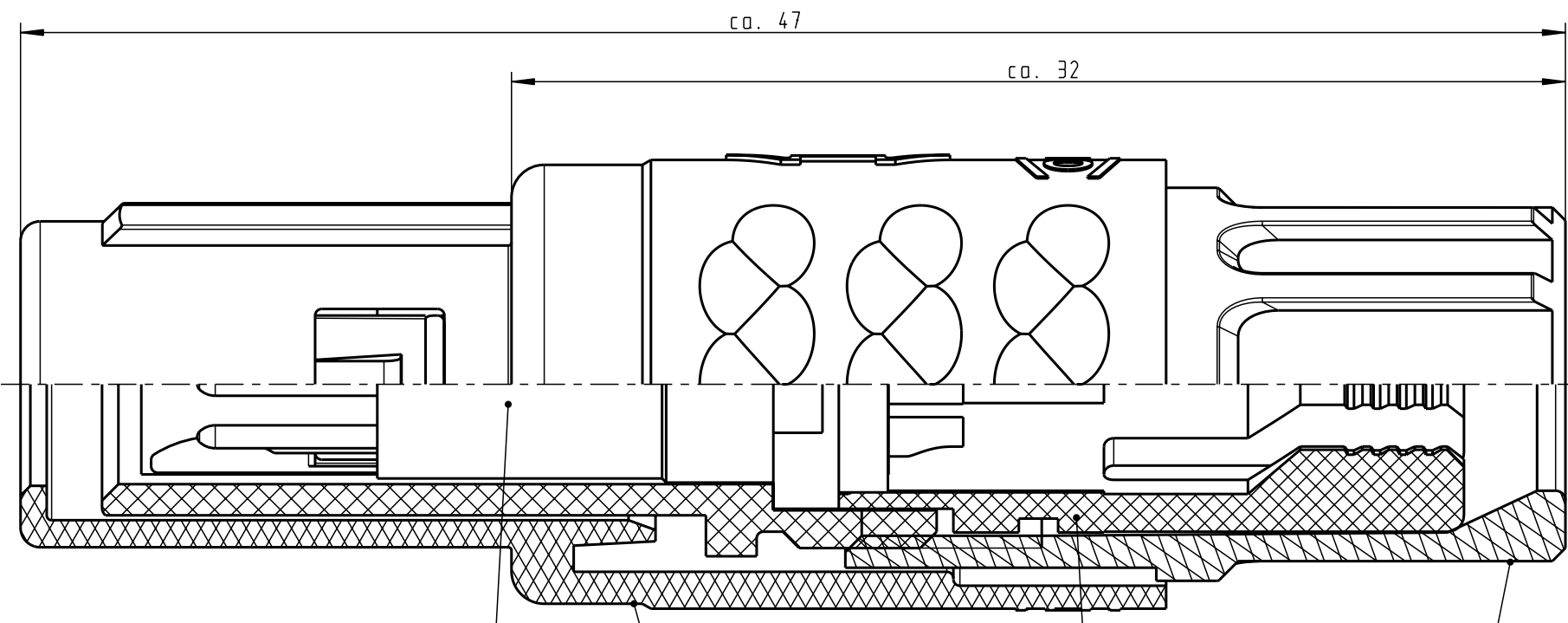


For these drawings, we reserve all rights, also for the patent application or the use of the drawings for other purposes without our written consent.

Only red stamped or on-jobcard printed documents are managed. These documents are approved for production.

All rights reserved, including possible patents or trademarks. Documents shall not be provided to a third party or duplicated in any form without prior written permission.

CAD: Pro/ENGINEER

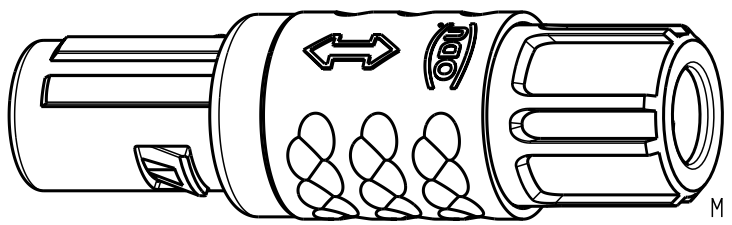


Einsatz Insert
 Steckergehäuse Plughousing
 Spannzange (siehe Tabelle) Cable collet (look table)
 Spannmutter (siehe Tabelle) Backnut (look table)

Technische Daten/Technical Data:

Werkstoffe/Materials: PSU / grau / grey
 Gehäuse/Housing: PSU / grau / grey
 Kontakte/Contacts: Cu-Legierung / Cu-alloy
 Isolierkörper/Insulation Body: PEEK
 Oberflächen/Surfaces: gal. Au
 Kontakte/Contacts: gal. Au
 Schutzart im gesteckten Zustand: IP 50 / Protection Class in mated condition

KontaktØ / ContactØ: Ø 0.7 mm
 Anschluß/Termination: 0.38mm² AWG 22
 Löt/Solder
 Prüfspannung/Test Voltage: 1.35 kV DC (SAE AS 13441)
 Strombelastung/Current Load: Einzelkontakte/single contacts 7 A
 6-polig / 6-pos.: 4.55 A
 (IEC 512-3 / VDE 0298 T4)



M 2:1

| | |
|---------------------|-----------------|
| S11MA7-P06MFG0-..20 | rot / red |
| S11MA7-P06MFG0-..30 | weiß / white |
| S11MA7-P06MFG0-..40 | gelb / yellow |
| S11MA7-P06MFG0-..50 | grün / green |
| S11MA7-P06MFG0-..60 | blau / blue |
| S11MA7-P06MFG0-..70 | grau / grey |
| S11MA7-P06MFG0-..80 | schwarz / black |

| | | |
|---------------------|----------|----------|
| S11MA7-P06MFG0-39.. | min. 2.7 | max. 3.9 |
| S11MA7-P06MFG0-52.. | min. 4.0 | max. 5.2 |
| S11MA7-P06MFG0-65.. | min. 5.3 | max. 6.5 |

| | | | |
|-----------------------------|------------------|-----------------------------|-------------------------------------|
| Artikelnummer Partnumber | KabelØ CableØ | Artikelnummer Partnumber | Farbe Spannmutter Colour Backnut |
| | | Rohgew.: | PE-Modell-Nr.: 00036007 |
| | | CAD-Nr.: | 00035961 |
| | | Benennung: | Stecker cpl. |
| | | Zeichnungs Nr.: | S11MA7-P06MFG0-.... |
| | | Ersatz für: | |



| | | | |
|-----------|-------------|-------|------|
| And-zust. | Aend.-Mitt. | Datum | Name |
|-----------|-------------|-------|------|

Maßstab: 5:1
 Vervielf. Pause
 Nr.