



FEATURES

Male/female lead styles - High voltage/current - Low ESR

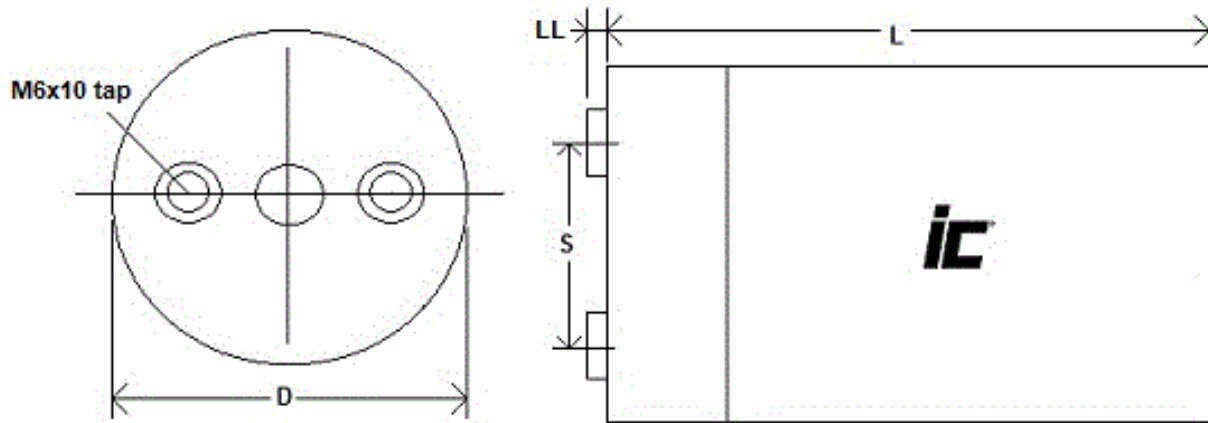
APPLICATIONS

Induction heaters - DC link - AC/DC motor controls - Power inverters

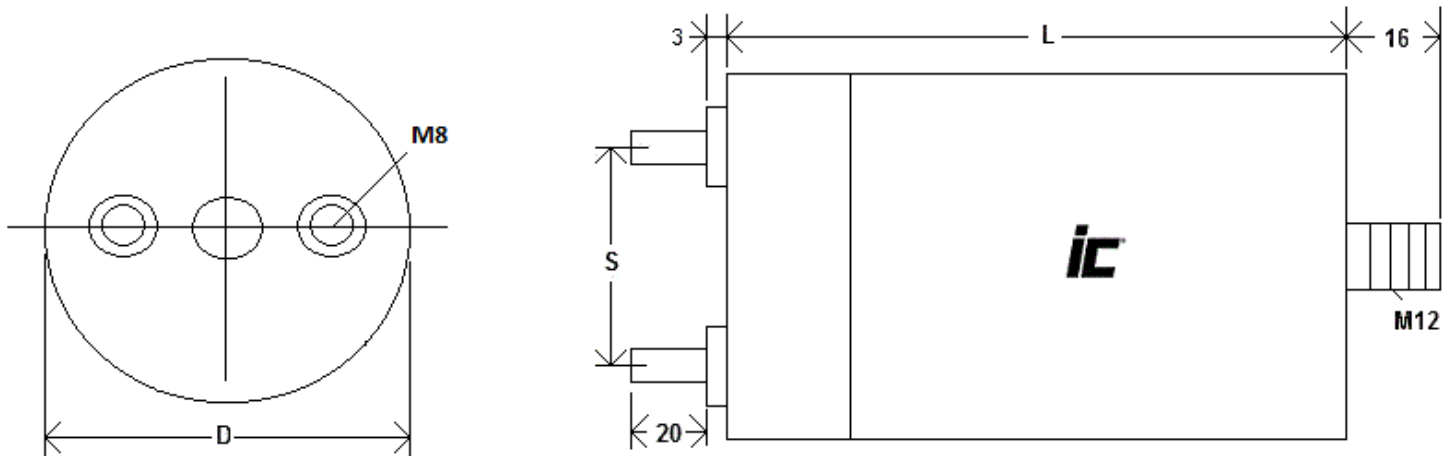
Operating Temperature Range	-40°C to +85°C							
Storage Temperature Range	-40°C to +85°C							
Capacitance Tolerance	±10% at 1 kHz, 25°C							
Surge Voltage	WVDC	450	700	900	1100	1500	2000	
	SVDC	1.5*WVDC						
Dissipation Factor Max at 100 Hz, 25°C	.25%							
Insulation Resistance @20°C (<70% RH)for 1 minute at 100VDC applied	10000 Megohmxmicrofarads(seconds)							
Dielectric Strength	Terminal to Terminal				Terminal to Case			
	150% of VDC applied for 60 Seconds and 25°C				3 KVAC (50/60 Hz) applied for 60 seconds at 25°C			
Life expectancy	Up to 100000 hours @70°C							
	Capacitance Change	≤15% of initially measured value						
Long term Stability	<1% after 2 years at standard environmental conditions							
Reliability	300 FIT							
Construction	Metallized polypropylene film and internal series connections							
Casing	Metal can with epoxy fill (UL94V-0)							
MAXIMUM ALTITUDE	3500 m							
Lead terminations	Lead free tinned Brass leads (RoHS compliant)							



Terminal style 32



Terminal Style 33



MDCL

Metallized Polypropylene,
Round Tube Capacitor

WVDC	Capacitance (µF)	IC PART NUMBER	dv/dt (v/µ sec.)	Maximum RMS Ripple Current (A) 100 kHz, +70°C	Typical ESR (mΩ) 100 kHz, +25°C	Self Inductance (nH)	Dims DxL (mm)	Lead Spacing S+-2 (mm)	Thermal Resistance (°C/W)
450	200	207MDCL450KFC#	15	50	4	22	76x80	32	8
450	400	407MDCL450KFG#	15	60	2.5	38	76x130	32	8
450	520	527MDCL450KHG#	15	65	2.4	38	86x130	32	8
450	600	607MDCL450KFK#	12	60	1.9	20	76x180	32	8
450	660	667MDCL450KKG#	15	70	1.7	38	96x130	45	8
450	800	807MDCL450KHK#	10	70	2.9	20	86x180	32	8
450	1000	108MDCL450KKK#	10	85	1.8	20	96x180	45	8
450	2000	208MDCL450KPN#	7	100	0.9		116x230	50	8
450	2800	288MDCL450KTN#	5	120	0.9		136x230	50	8
700	400	407MDCL700KFG#	12	50	2.8	38	76x130	32	8
700	420	427MDCL700KFF#	10	35	3.2	54	76x125	32	8
700	510	517MDCL700KFH#	10	35	3.5	54	76x145	32	8
700	520	527MDCL700KHG#	12	65	2.7	38	86x130	32	8
700	600	607MDCL700KFK#	10	60	2.2	20	76x180	32	8
700	650	657MDCL700KHH#	10	60	2.5	38	86x155	32	8
700	660	667MDCL700KKG#	12	70	2.1	38	96x130	45	8
700	800	807MDCL700KHK#	8	70	3.2	20	86x180	32	8
700	1000	108MDCL700KKK#	8	75	2.2	20	96x180	45	8
700	1000	108MDCL700KPG#	8	50	1.8	38	116x130	50	8
700	1450	148MDCL700KPK#	5	80	1	20	116x180	50	8
700	2000	208MDCL700KTK#	3	100	0.95	20	136x180	50	8
700	2800	288MDCL700KTN#	3	100	0.8		136x230	50	8
900	330	337MDCL900KFF#	15	35	3.2	54	76x125	32	8
900	450	457MDCL900KHG#	12	55	2.7	38	86x130	32	8
900	510	517MDCL900KHH#	10	55	2.5	38	86x155	32	8
900	680	687MDCL900KHK#	8	70	3.2	20	86x180	32	8
900	750	757MDCL900KPG#	8	65	1.8	38	116x130	50	8
900	1300	138MDCL900KPK#	5	80	1	20	116x180	50	8
900	1650	168MDCL900KTK#	5	90	0.95	20	136x180	50	8
900	2250	228MDCL900KTN#	5	100	0.8		136x230	50	8
1100	125	127MDCL112KFC#	15	35	4.5	22	76x80	32	8
1100	250	257MDCL112KFG#	15	60	2.8	38	76x130	32	8
1100	275	277MDCL112KFF#	12	35	3.2	54	76x125	32	8
1100	300	307MDCL112KFH#	15	60	3.8	38	76x150	32	8
1100	320	327MDCL112KFH#	12	35	3.6	54	76x145	32	8
1100	330	337MDCL112KHG#	15	65	2.8	38	86x130	32	8
1100	350	357MDCL112KHF#	12	40	3.1	54	86x125	32	8
1100	420	427MDCL112KHG#	12	60	2	38	86x136	32	8
1100	420	427MDCL112KHH#	12	75	1.5	38	86x155	32	8
1100	500	507MDCL112KKG#	15	70	1.6	38	96x130	45	8
1100	500	507MDCL112KHK#	10	70	3.2	20	86x180	32	8
1100	550	557MDCL112KHK#	10	50	3.2	54	96x145	45	8
1100	600	607MDCL112KHN#	10	65	2.5		86x225	32	8
1100	650	657MDCL112KPG#	10	50	1.8	38	116x130	50	8
1100	750	757MDCL112KPH#	8	55	1.4	38	116x150	50	8
1100	950	957MDCL112KTF#	8	50	1.8	20	136x125	50	8
1100	1200	128MDCL112KPN#	8	80	1		116x230	50	8
1100	1300	138MDCL112KTK#	5	100	0.8	20	136x180	50	8
1100	1700	178MDCL112KTN#	5	100	0.9		136x230	50	8
1500	180	187MDCL152KHG#	15	55	2.5	38	86x130	32	8
1500	200	207MDCL152KFK#	12	55	2.7	20	76x180	32	8
1500	230	237MDCL152KKG#	12	65	1.8	38	96x130	45	8
1500	260	267MDCL152KHK#	10	60	3.2	20	86x180	32	8
1500	330	337MDCL152KKK#	8	70	1	20	96x180	45	8
1500	350	357MDCL152KPF#	8	50	0.75		116x125	50	8
1500	460	467MDCL152KPK#	7	75	0.8		116x180	50	8
1500	660	667MDCL152KTK#	6	90	0.9		136x180	50	8
1500	900	907MDCL152KTN#	6	100	0.8	20	136x230	50	8

MDCL

Metallized Polypropylene,
Round Tube Capacitor

WVDC	Capacitance (μF)	IC PART NUMBER	dv/dt (v/μ sec.)	Maximum RMS Ripple Current (A) 100 kHz, +70°C	Typical ESR (mΩ) 100 kHz, +25°C	Self Inductance (nH)	Dims DxL (mm)	Lead Spacing S+-2 (mm)	Thermal Resistance (°C/W)
2000	80	806MDCL202KFG#	20	55	2.8	38	76x130	32	8
2000	100	107MDCL202KFH#	15	30	3.6	54	76x145	32	8
2000	105	107MDCL202KHG#	18	60	2.8	38	86x130	32	8
2000	120	127MDCL202KFK#	15	55	2.4	20	76x180	32	8
2000	130	137MDCL202KKG#	18	65	2.2	38	96x130	45	8
2000	160	167MDCL202KHK#	15	65	3.5	20	86x180	32	8
2000	170	177MDCL202KKH#	12	45	3.3	54	96x145	45	8
2000	200	207MDCL202KHN#	12	65	2.5		86x225	32	8
2000	205	207MDCL202KKK#	12	75	2.4	20	96x180	45	8
2000	380	387MDCL202KPN#	10	80	1.3		116x230	50	8
2000	400	407MDCL202KTK#	7	100	1	20	136x180	50	8
2000	550	557MDCL202KTN#	7	100	0.95		136x230	50	8