

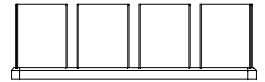
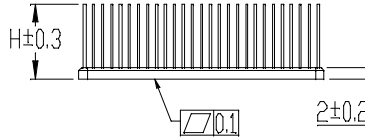
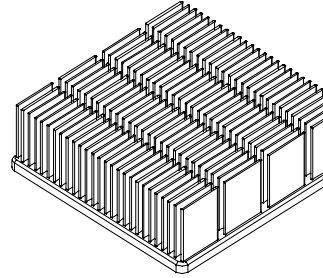
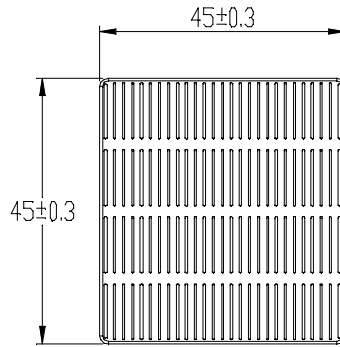
Model : MBH45001-XXLF/2.0



Heat Sink

Specification

1. Material : Al 1070
2. Dimension :
Foot print : 45 x 45mm
Height : 13, 10, 6mm
Base (thickness) : 2.0mm
3. Finish: Black Anodize



Performance

Heat Source (LxW)	12x12
-------------------	-------

