



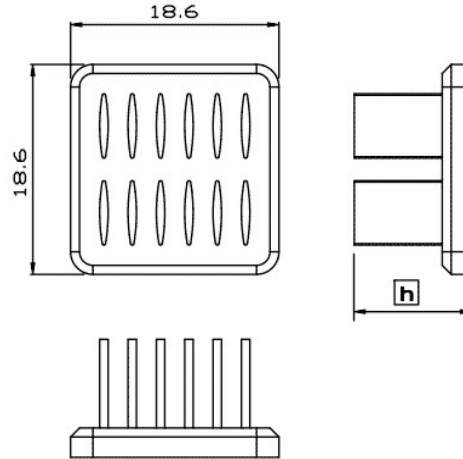
Model : MBH19001-15W & 20W

BGA Heat Sink



Specification

- 1. Material: AL 6063
- 2. Dimension:
 - Foot print: 19mm*19mm
 - Height: 15mm, 20mm
 - Base(thickness): 2.4mm



- 3. Finish: BLACK ANODIZE

Performance

Heat Source (L*W)	12*12
-------------------	-------

