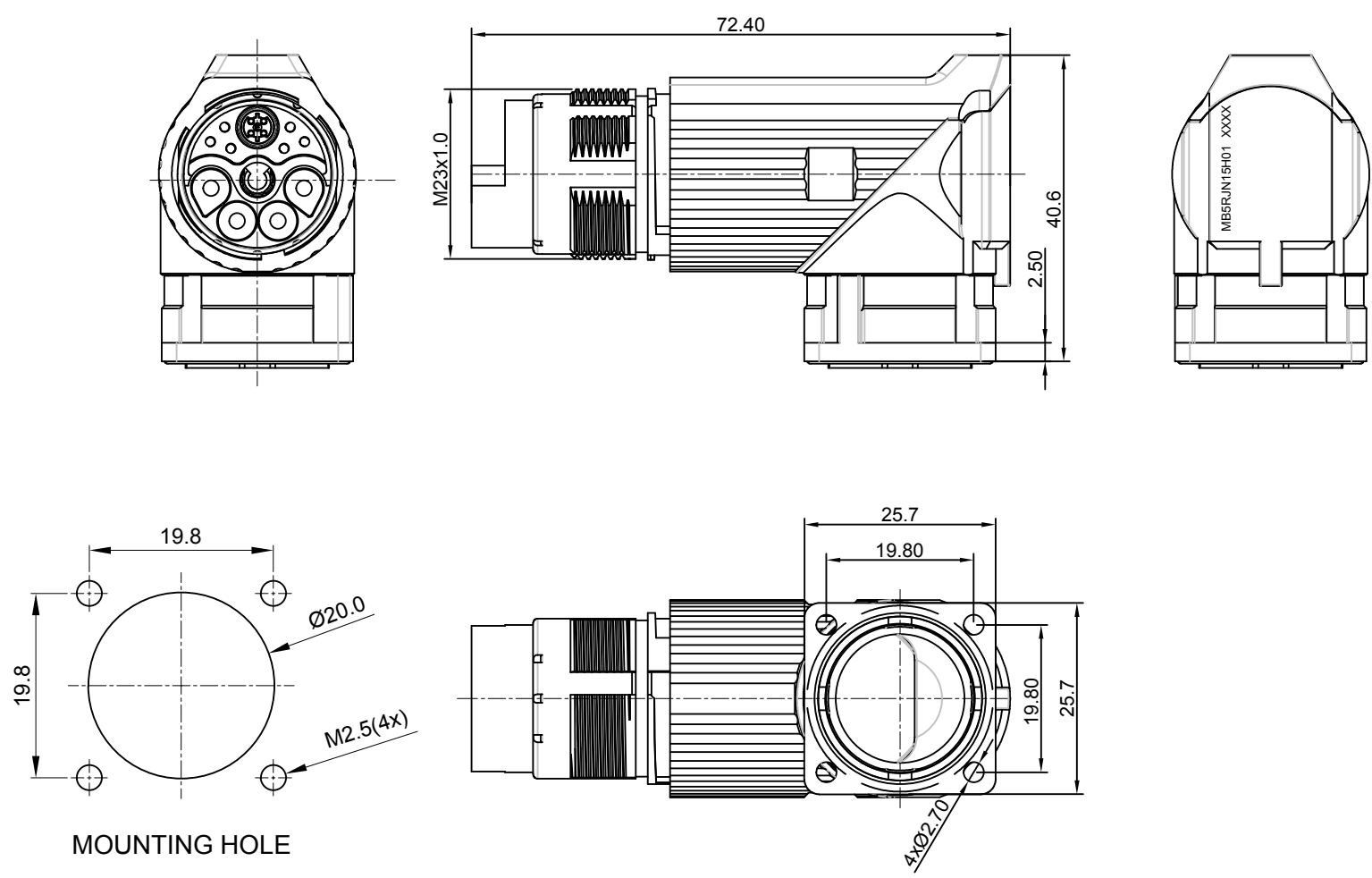
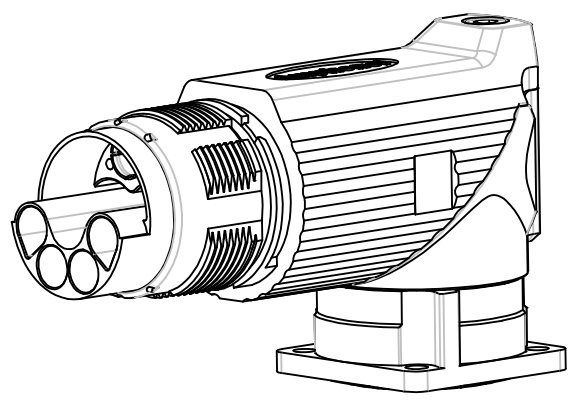


REVISIONS					
REV	ECO	DESCRIPTION	DATE	BY	APPR
A1	-	FIRST RELEASE	Jun.01,2017	Tod	Tommy



NOTES: UNLESS OTHERWISE SPECIFIED

- MATERIAL:
INSULATION INSERT: PA66, UL94 V0
SEAL: VITON
BODY: ZINC DIE CAST, NICKEL PLATED
- SPECIFICATIONS:
 - CURRENT RATING: EARTHNET: 1.2 AMPS
SIGNAL: 1.2 AMPS
POWER: 30 AMPS
 - VOLTAGE RATING: EARTHNET: 30V AC/DC
SIGNAL: 30V AC/ 50V DC
POWER: 630V AC/ 850V DC
 - OPERATING TEMPERATURE: -20°C TO +130°C
 - DIELECTRIC WITHSTANDING VOLTAGE: LESS THAN 2 MILLIAMPS CURRENT LEAKAGE @ EARTHNET: 500VOLTS AC.
SIGNAL: 1500VOLTS AC.
POWER: 6000 VOLTS AC.
 - DEGREE OF PROTECTION: IP67 (MATED CONDITION)
 - DEGREE OF POLLUTION: 3 PER UL840
 - OVERVOLTAGE CATEGORY: III PER UL840
 - MATING CYCLE DURABILITY: >500 CYCLES
 - RoHS COMPLIANT
- ALL DIMENSIONS ARE FOR REFERENCE USE ONLY.



QUANTITY	SEE PART NUMBER CHART PART NUMBER	DESCRIPTION	ITEM												
MATERIALS LIST															
UNLESS OTHERWISE SPECIFIED 1) All dimensions are in metric(mm). 2) Tolerances are as follows: 1 PL DEC ±0.30 Fractions ±1/64 2 PL DEC ±0.15 Angles ±1° 3 PL DEC ±0.08 3) Note reference =		<table border="1"> <thead> <tr> <th>SIGNATURES</th> <th>DATE</th> </tr> </thead> <tbody> <tr> <td>DRAWN: Tod</td> <td>Jun.01,2017</td> </tr> <tr> <td>CHECKED:</td> <td></td> </tr> <tr> <td>ENGINEER:</td> <td></td> </tr> <tr> <td>APPROVAL: Tommy</td> <td>Jun.02,2017</td> </tr> <tr> <td>CUSTOMER:</td> <td></td> </tr> </tbody> </table>		SIGNATURES	DATE	DRAWN: Tod	Jun.01,2017	CHECKED:		ENGINEER:		APPROVAL: Tommy	Jun.02,2017	CUSTOMER:	
SIGNATURES	DATE														
DRAWN: Tod	Jun.01,2017														
CHECKED:															
ENGINEER:															
APPROVAL: Tommy	Jun.02,2017														
CUSTOMER:															
MATERIAL SPECIFICATIONS:		<h1>Amphenol</h1> <p>Sine Systems - www.amphenol-sine.com 44724 Morley Drive Clinton Township, MI 48036</p>													
PROCESS SPECIFICATIONS:		<p>M23B,REC.,RA,15POS,FLANGE MOUNT,CHECKMATE</p>													
NEXT ASSY:		<table border="1"> <tr> <td>THIS DRAWING IS SUPPLIED FOR INFORMATION ONLY. DESIGN FEATURES, SPECIFICATIONS AND PERFORMANCE DATA SHOWN HEREON ARE THE PROPERTY OF THE AMPHENOL CORPORATION. NO RIGHTS OF REPRODUCTION ARE IMPLIED. ALL DIMENSIONS ARE SUBJECT TO NORMAL MANUFACTURING VARIATIONS.</td> <td>SIZE: B</td> <td>TYPE: C-</td> <td>DWG NO: MB5RJN15H01</td> <td>REVISION: A1</td> </tr> <tr> <td>SCALE: NONE</td> <td colspan="2">SHEET 1 OF 1</td> <td colspan="2"></td> </tr> </table>		THIS DRAWING IS SUPPLIED FOR INFORMATION ONLY. DESIGN FEATURES, SPECIFICATIONS AND PERFORMANCE DATA SHOWN HEREON ARE THE PROPERTY OF THE AMPHENOL CORPORATION. NO RIGHTS OF REPRODUCTION ARE IMPLIED. ALL DIMENSIONS ARE SUBJECT TO NORMAL MANUFACTURING VARIATIONS.	SIZE: B	TYPE: C-	DWG NO: MB5RJN15H01	REVISION: A1	SCALE: NONE	SHEET 1 OF 1					
THIS DRAWING IS SUPPLIED FOR INFORMATION ONLY. DESIGN FEATURES, SPECIFICATIONS AND PERFORMANCE DATA SHOWN HEREON ARE THE PROPERTY OF THE AMPHENOL CORPORATION. NO RIGHTS OF REPRODUCTION ARE IMPLIED. ALL DIMENSIONS ARE SUBJECT TO NORMAL MANUFACTURING VARIATIONS.	SIZE: B	TYPE: C-	DWG NO: MB5RJN15H01	REVISION: A1											
SCALE: NONE	SHEET 1 OF 1														

TITLE: M23B,REC.,RA,15POS,FLANGE MOUNT,CHECKMATE
DWG NO: MB5RJN15H01
REV: A1
SH: 1
OF: 1