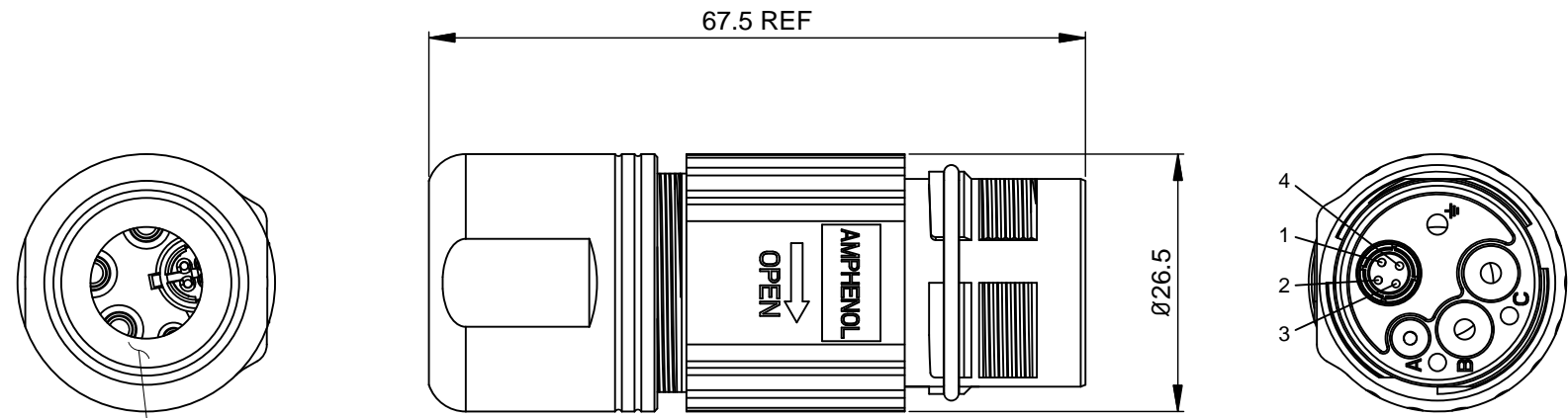
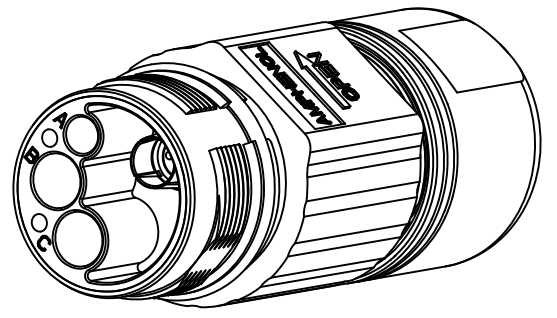
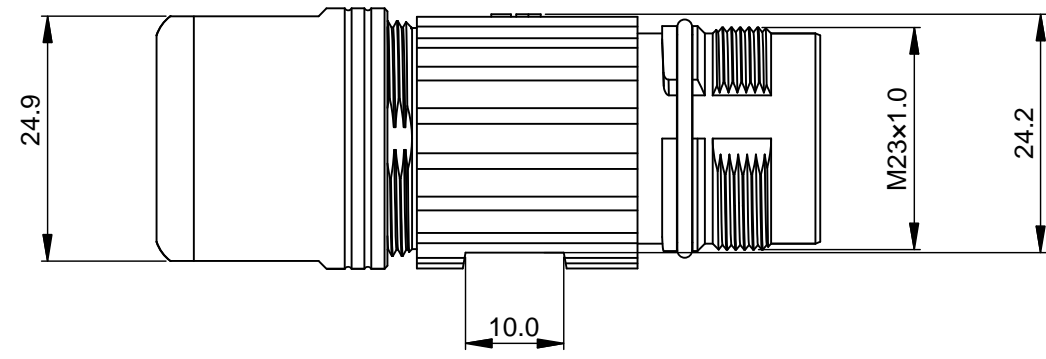


REVISIONS					
REV	ECO	DESCRIPTION	DATE	BY	APPR
A1	-	RELEASE NUMBER	20JUN14	ORION	
A2	-	ADDED PIN NUMBERS	08DEC15	MRF	



REFER TO PART NUMBER CHART FOR CABLE RANGE



3D VIEW

PART NUMBER CHART	
PART NUMBER	CABLE RANGE
MB3ZSN8HS1	7.5~11.0MM
MB3ZSN8HS2	11.0~14.0MM
MB3ZSN8HS3	14.5~17.0MM

NOTES: UNLESS OTHERWISE SPECIFIED

- MATERIAL:  
INSULATION INSERT: THERMOPLASTIC  
SEAL: VITON, EPDM  
HOUSING BODY: ZINC DIE CAST, NICKEL PLATED
- SPECIFICATIONS:  
2.1 CURRENT RATING: 2.0MM: 18 AMPS;  
1.0MM: 1 AMPS;  
QUAD ELEMENT: 0.5 AMPS.  
2.2 VOLTAGE RATING: 2.0MM/1.0MM: 850V AC/DC;  
QUAD ELEMENT: 30V AC/DC.  
2.3 OPERATING TEMPERATURE: -20°C TO +130°C  
2.4 DIELECTRIC WITHSTANDING VOLTAGE: LESS THAN 2 MILLIAMPS CURRENT LEAKAGE @ 2.0MM: 6000V;  
1.0MM: 1500V;  
QUAD ELEMENT: 500V.  
2.5 DEGREE OF PROTECTION: IP67 ( MATED CONDITION )  
2.6 DEGREE OF POLLUTION: 3 PER UL840  
2.7 OVERVOLTAGE CATEGORY: III PER UL840  
2.8 MATING CYCLE DURABILITY: >500 CYCLES  
2.9 RoHS COMPLIANT
- ALL DIMENSIONS ARE FOR REFERENCE USE ONLY.

QUANTITY	SEE PART NUMBER CHART PART NUMBER	DESCRIPTION	ITEM							
<b>MATERIALS LIST</b>										
UNLESS OTHERWISE SPECIFIED 1) All dimensions are in metric (mm). 2) Tolerances are as follows: 1 PL DEC ±0.30 2 PL DEC ±0.15 3 PL DEC ±0.08 3) Note reference =		SIGNATURES DRAWN: ORION.LI CHECKED: ENGINEER: APPROVAL:	DATE 20JUN14							
MATERIAL SPECIFICATIONS:		<div style="text-align: center;"> <h1>Amphenol</h1> <p>Sine Systems - www.amphenol-sine.com 44724 Morley Drive Clinton Township, MI 48036</p> </div> <p style="text-align: center;"><b>RECEPTACLE, EXTENSION, STRAIGHT, HYBRID, THREADED</b></p>								
PROCESS SPECIFICATIONS:										
NEXT ASSY:	THIS DRAWING IS SUPPLIED FOR INFORMATION ONLY. DESIGN FEATURES, SPECIFICATIONS AND PERFORMANCE DATA SHOWN HEREON ARE THE PROPERTY OF THE AMPHENOL CORPORATION. NO RIGHTS OF REPRODUCTION ARE IMPLIED. ALL DIMENSIONS ARE SUBJECT TO NORMAL MANUFACTURING VARIATIONS.	<table border="1"> <tr> <td>SIZE</td> <td>TYPE</td> <td>DWG NO.</td> <td>REVISION</td> </tr> <tr> <td><b>B</b></td> <td><b>C-</b></td> <td><b>MB3ZSN8HSx</b></td> <td><b>A2</b></td> </tr> </table>	SIZE	TYPE	DWG NO.	REVISION	<b>B</b>	<b>C-</b>	<b>MB3ZSN8HSx</b>	<b>A2</b>
SIZE	TYPE	DWG NO.	REVISION							
<b>B</b>	<b>C-</b>	<b>MB3ZSN8HSx</b>	<b>A2</b>							
SCALE: NONE		SHEET 1 OF 1								

TITLE: RECEPTACLE, EXTENSION, STRAIGHT, HYBRID, THREADED  
DWG NO.: MB3ZSN8HSX  
REV: A2  
SH: 1  
OF: 1