



MADE IN THE USA

### Related Products (each sold separately):

- PS016-0512 - Protection System (shown below)



### Product Description:

- Hanger - Metal Bracketed Door
- Adjustable to fit around hardware to hold BOWMAN® protection systems
- Hooks over the top of a door with a thickness no greater than 2.44"
- Quartz Beige Powder-Coated Steel

### Primary Area for Product Usage:

- Hangs over any door where a BOWMAN® protection system is needed
- Particularly designed to fit bracketed doors

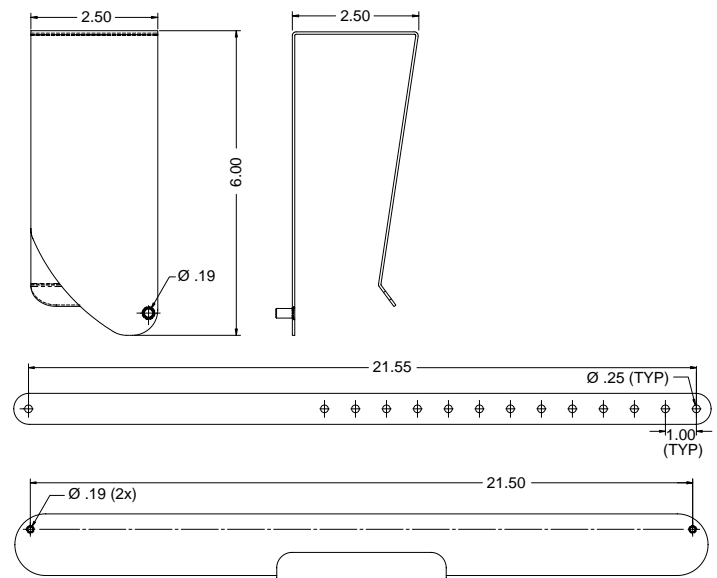
### Package Specifications:

- Package Quantity: 6 per case
- 24"W x 16"H x 6"D (61.0 cm x 40.6 cm x 15.2 cm)
- 17.0 lbs (7.7 kg) - approximated

### Product Specifications (overall external dimensions):

- 26.14"W x 29.49"H x 2.92"D (66.4 cm x 74.9 cm x 7.4 cm) (Note that unit is adjustable, so dimensions may vary)
- 2.5 lb (1.1 kg) - approximated

### Mounting Specifications:



### Proper Hanging Procedure:

- 1) Attach hanger securely - back of hanger must lay flush against surface
- 2) Hang empty dispenser on hanger.
- 3) Load product in dispenser.
- 4) To remove, reverse order of steps.

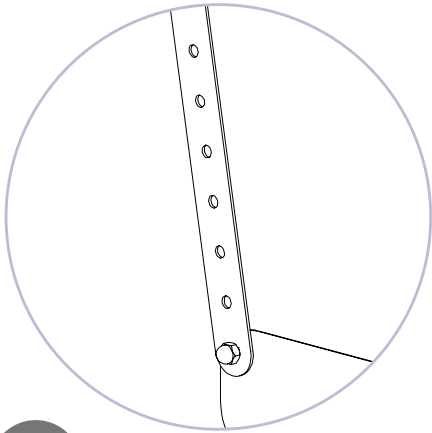




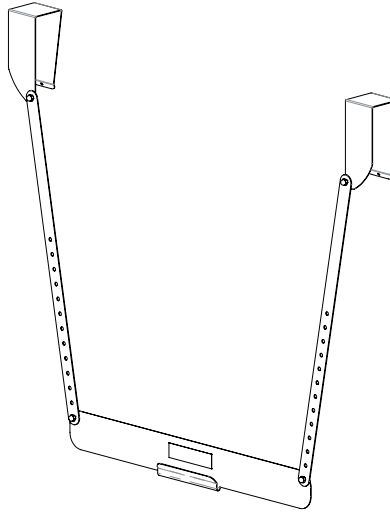
## Installation

Always mount dispensers securely *prior* to loading with product.

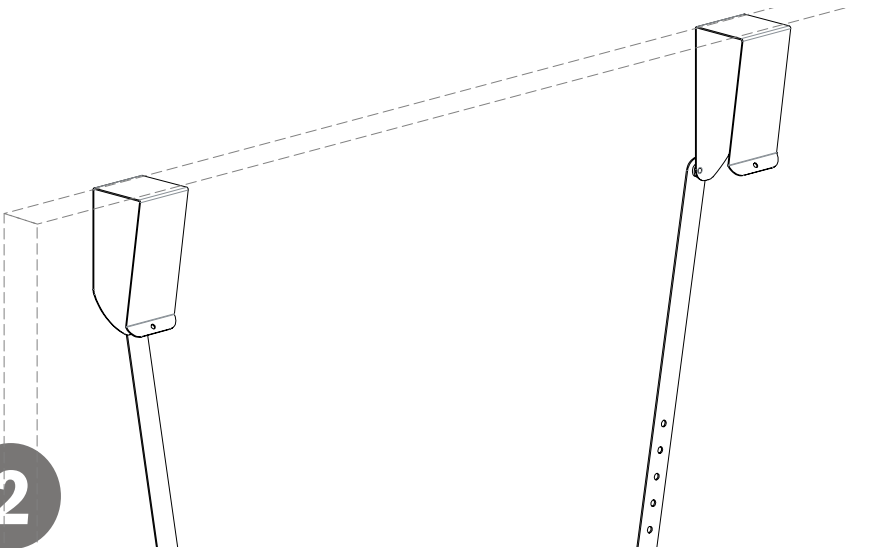
- Length is adjustable by moving pins to different holes in the vertical bars.



1



- The inside top of hanger must lie flush against the top of the door.



2

### Parts included:

- Dispenser

### Tools Required:

- No tools required to assemble dispenser

## Care and Construction

### Powder-Coated Steel

### Material Characteristics

### Designed for Long-Term, Heavy-Duty Applications

Dispensers and stands made of powder-coated steel are both attractive and functional, providing years of service. Our powder-coated steel dispensers and stands provide long-lasting products that hold up well in tough environments.

Powder-coated steel is ideal for dispensers used in a healthcare or an industrial setting. It is impact resistant and is not effected by extremes in temperature.

### Care and Cleaning

The powder-coated finish resists common chemicals and cleaning agents and can be easily wiped clean with soap and water.