



MAX8620Y Evaluation Kit

Evaluates: MAX8620Y

General Description

The MAX8620Y evaluation kit (EV kit) is a fully assembled and tested printed-circuit board (PCB) that evaluates the MAX8620Y power-management IC. The MAX8620Y IC features a 500mA adjustable step-down DC-DC converter, two 300mA low-dropout linear regulators (LDOs), and a reset function.

The MAX8620Y EV kit is configured to operate over a 2.7V to 5.5V input range. The MAX8620Y EV kit step-down converter's output voltage is configured for 1.8V at 500mA, and the two LDOs can be configured through jumpers to nine different output voltages in the 1.8V to 3.3V range. This makes the MAX8620Y suitable for DSP or microprocessor (μ P) power-management applications in handsets, PDAs, smartphones, and other portable applications.

Features

- ◆ 1.8V, 500mA, 2.5MHz Step-Down DC-DC Converter
- ◆ Up to 92% High-Efficiency Step-Down Converter
- ◆ Internal Synchronous Rectifier
- ◆ Two Low-Noise, 300mA LDOs with Jumper-Selectable Output Voltages
- ◆ 30ms (min) $\overline{\text{RESET}}$ Output Signal
- ◆ Demonstrates Hands-Free Enabling
- ◆ Power Sequencing and On/Off Control Logic
- ◆ Overcurrent and Thermal Protection
- ◆ Tiny 3mm x 3mm, 14-Pin TDFN Package with Exposed Pad
- ◆ Fully Assembled and Tested

Ordering Information

PART	TEMP RANGE	IC PACKAGE
MAX8620YEVKIT	0°C to +70°C*	14 TDFN-EP**

*This limited temperature range applies to the EV kit PCB only. The MAX8620Y IC temperature range is -40°C to +85°C.

**EP = Exposed pad.

Component List

DESIGNATION	QTY	DESCRIPTION
C1	1	10 μ F \pm 20%, 6.3V X5R ceramic capacitor (0805) TDK C2012X5R0J106M
C2, C3	2	4.7 μ F \pm 10%, 6.3V X5R ceramic capacitors (0603) TDK C1608X5R0J475K
C4	1	2.2 μ F \pm 10%, 6.3V X5R ceramic capacitor (0603) TDK C1608X5R0J225K
C5	1	150pF \pm 5%, 50V C0G ceramic capacitor (0603) TDK C1608C0G1H151J
C6	1	0.01 μ F \pm 10%, 50V X7R ceramic capacitor (0603) TDK C1608X7R1H103K

DESIGNATION	QTY	DESCRIPTION
JU1, JU2, JU3	3	3-pin headers
JU4	1	2-pin header
L1	1	2.2 μ H, 790mA inductor (1210)
R1	1	150k Ω \pm 1% resistor (0603)
R2	1	75k Ω \pm 1% resistor (0603)
R3	1	100k Ω \pm 5% resistor (0603)
R4, R5, R6	3	1M Ω \pm 5% resistors (0603)
SW1	1	Momentary pushbutton switch
U1	1	MAX8620YETD
—	4	Shunts (JU1–JU4)
—	1	PCB: MAX8620Y Evaluation Kit

MAX8620Y Evaluation Kit

Component Suppliers

SUPPLIER	PHONE	FAX	WEBSITE
Murata Mfg. Co., Ltd.	770-436-1300	770-436-3030	www.murata.com
TDK Corp.	847-803-6100	847-390-4405	www.component.tdk.com

Note: Indicate that you are using the MAX8620Y when contacting these component suppliers.

Quick Start

Recommended Equipment

- 5V, 2A power supply

Procedure

The MAX8620Y EV kit is fully assembled and tested. Follow the steps below to verify board operation.

Caution: Do not turn on the power supply until all connections are completed.

- 1) Verify that a shunt is installed across pins 2-3 of jumper JU1. This configures the PWR_ON pin to be pulled high by V_{OUT1}.
- 2) Verify that shunts are installed across pins 1-2 of jumpers JU2 and JU3. This configures V_{OUT1} and V_{OUT2} to provide 3.0V and 2.5V, respectively.
- 3) Verify that no shunt is installed on jumper JU4 (V_{OUT2} enabled).
- 4) Connect the 5V power supply across the IN and GND PCB pads.
- 5) Turn on the 5V power supply.
- 6) Momentarily press and release pushbutton switch SW1.
- 7) Verify that the voltage across the OUT1 and GND pads is 3.0V.
- 8) Verify that the voltage across the OUT2 and GND pads is 2.5V.
- 9) Verify that the voltage across the OUT3 and GND pads is approximately 1.8V.

Table 1. Jumper JU1 Function

SHUNT POSITION	PWR_ON PIN CONNECTION	EV KIT FUNCTION
1-2	Connected to IN	MAX8620Y is enabled by the input IN.
2-3	Connected to OUT1	MAX8620Y is enabled by the HF_PWR and maintained by the output OUT1.
Not installed	Pulled to GND by resistor R6	MAX8620Y is in shutdown mode.*

*An external signal can be applied across the PWR_ON and GND PCB pads to enable the MAX8620Y.

Detailed Description

The MAX8620Y EV kit features a 1.8V, 500mA step-down converter, two configurable 300mA LDOs and a 30ms (min) delayed reset timer. The LDO outputs OUT1 and OUT2 can be configured through jumpers JU2 and JU3 to nine different output voltages in the 1.8V to 3.3V range. To reconfigure OUT1 and OUT2, the EV kit input power needs to be recycled. The MAX8620Y EV kit demonstrates the hands-free enabling feature of the MAX8620Y through momentary pushbutton switch SW1. Additionally, the EV kit demonstrates the power-on sequencing capability of the MAX8620Y.

The step-down converter needs a very small output capacitor (C4) due to its unique feedback network, consisting of feedback resistors R1 and R2 and feed-forward capacitor C5. The switching frequency of the MAX8620Y can be reconfigured up to 4MHz by appropriately selecting inductor L1 and capacitor C5. To reconfigure the MAX8620Y switching frequency, refer to the *Inductor Selection* section in the MAX8620Y data sheet. The MAX8620Y features overcurrent and thermal protection to provide device safety.

PWR_ON Enable

The MAX8620Y can be enabled by asserting a logic-high signal on the PWR_ON pin using jumper JU1. An external controller can also be used to assert logic-high. See Table 1 for jumper JU1 configuration.

MAX8620Y Evaluation Kit

Evaluates: MAX8620Y

Table 2. Jumper JU4 Function

SHUNT POSITION	EN2 PIN CONNECTION	EV KIT FUNCTION
Installed	Connected to OUT1	OUT2 is disabled
Not installed	Pulled to GND by resistor R4	OUT2 is enabled

HF_PWR

The MAX8620Y IC can also be enabled using the HF_PWR pin in conjunction with the PWR_ON pin. Momentarily pressing switch SW1 on the MAX8620Y EV kit emulates a rising edge on the HF_PWR pin. The PWR_ON pin must be asserted high within 1.23 seconds (typ) after a rising edge is detected at the HF_PWR pin. Install a shunt across pins 2-3 of jumper JU1 or connect an external signal to the HF_PWR PCB pad to test this feature. See Table 1 for jumper JU1 configuration.

EN2

The MAX8620Y LDO output OUT2 can be disabled by asserting logic-high on the EN2 pin through jumper JU4 on the MAX8620Y EV kit board. See Table 2 for jumper JU4 configuration.

Setting the Step-Down Converter Output Voltage

The step-down converter output OUT3 voltage can be reconfigured in the 0.6V to 2.5V range by selecting resistors R1 and R2 according to the following equation:

$$R1 = R2 \times \left(\frac{V_{OUT3}}{0.6} - 1 \right)$$

where resistor R2 is typically 100kΩ and V_{OUT3} is the desired output voltage at the OUT3 PCB pad.

The MAX8620Y's step-down converter operates with inductors in the 1μH to 4.7μH range. The MAX8620Y can support up to 500mA load current connected to the OUT3 PCB pad. Select an inductor rated for 100mA greater than the desired load current.

Ceramic capacitors with a dielectric rating of X5R or X7R type are recommended for the step-down converter's output capacitor C4 on the MAX8620Y EV kit. To achieve optimum load-transient performance and a very low output voltage ripple, the output capacitor's numerical value in μF should be equal to or greater than the inductor value in μH. For example, the EV kit has a 2.2μF capacitor for C4 and thus L1 is a 2.2μH inductor.

Refer to the MAX8620Y data sheet for additional information on selecting inductor L1 and output capacitor C4.

Setting LDO OUT1 and OUT2 Output Voltages

The MAX8620Y EV kit LDO outputs OUT1 and OUT2 can be configured through jumpers JU2 and JU3 to nine different output voltages in the 1.8V to 3.3V range. See Table 3 for jumpers JU2 and JU3 configuration. The EV kit input power needs to be recycled after reconfiguring jumpers JU2 and JU3.

Table 3. LDOs Output Voltage Configuration

JUMPER JU2 SHUNT POSITION	JUMPER JU3 SHUNT POSITION	EV KIT FUNCTION	
		OUT1 (V)	OUT2 (V)
1-2	1-2	3.00*	2.50*
1-2	Not installed	2.85	2.85
1-2	2-3	3.00	3.00
Not installed	1-2	3.30	2.50
Not installed	Not installed	2.80	2.60
Not installed	2-3	3.30	1.80
2-3	1-2	2.85	2.60
2-3	Not installed	2.60	2.60
2-3	2-3	1.80	2.60

*Default Quick Start setting.

MAX8620Y Evaluation Kit

LDO Output Capacitor Selection and Regulator Stability

The MAX8620Y EV kit is configured for up to 300mA load current at OUT1 and OUT2. To reconfigure the EV kit for other load currents, capacitors C2 and C3 may need replacement. See Table 4 for output capacitors C2 and C3 selection. For additional information, refer to the *Capacitor Selection* section in the IC data sheet.

Table 4. Capacitors C2 and C3 Selection

OUT1, OUT2 CURRENT (mA)	SELECT C2, C3 (μF)
50 or less	1.0
150 or less	2.2
300 or less	4.7

Reset Timer

The MAX8620Y features a reset timer that can be used as a system reset signal. The MAX8620Y $\overline{\text{RESET}}$ pin is held low during power-up. The $\overline{\text{RESET}}$ is asserted high 30ms (min) after VOUT1 reaches 87% of its regulation voltage. This delayed reset signal confirms that output voltages must have settled to their final voltages.

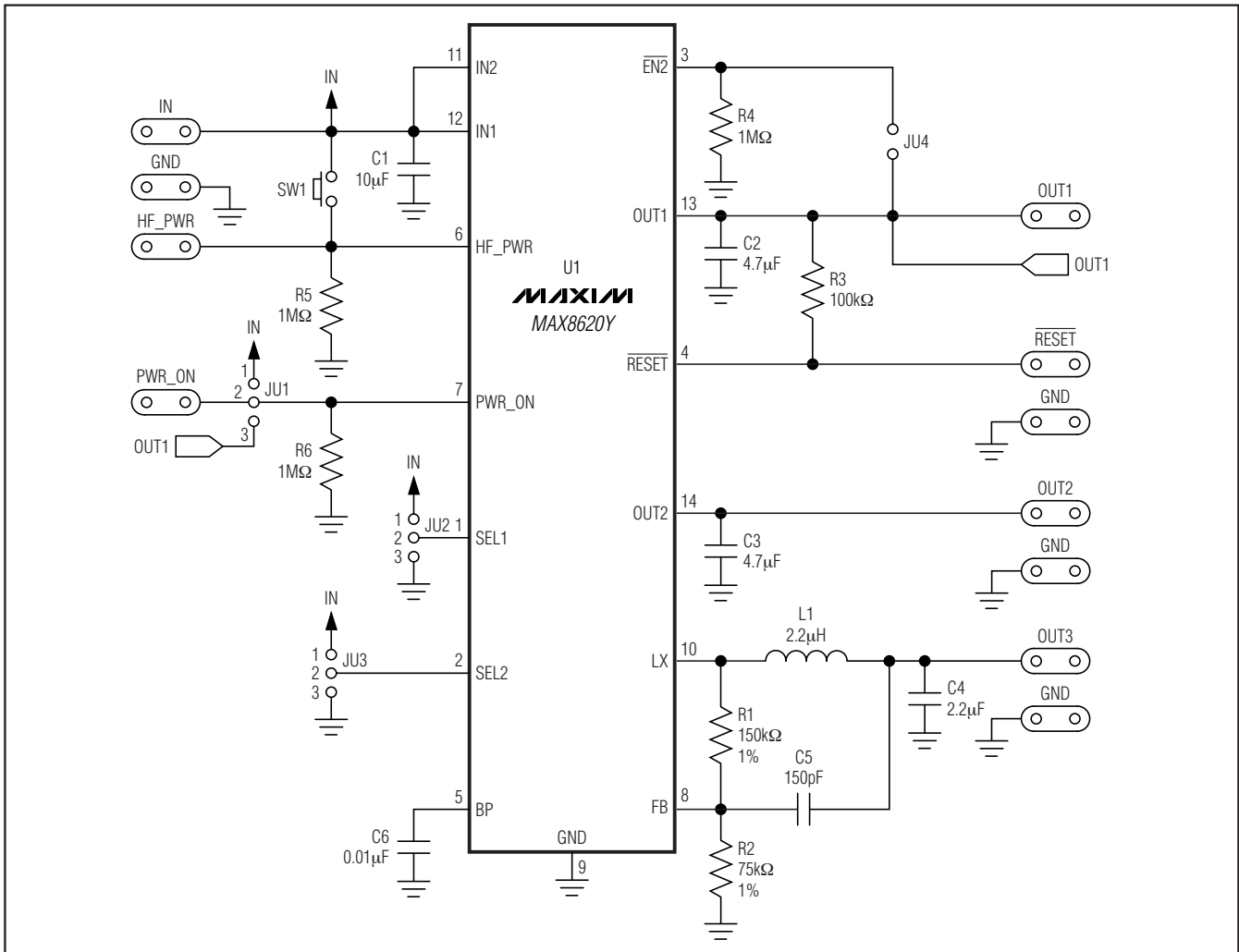


Figure 1. MAX8620Y EV Kit Schematic

MAX8620Y Evaluation Kit

Evaluates: MAX8620Y

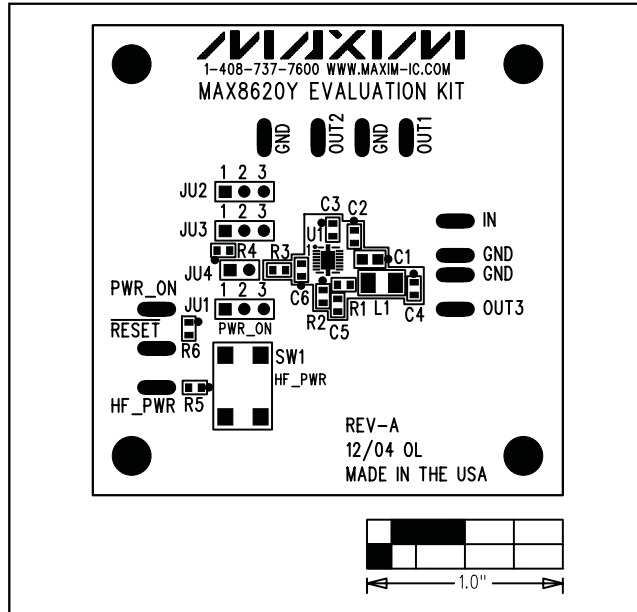


Figure 2. MAX8620Y EV Kit Component Placement Guide—Component Side

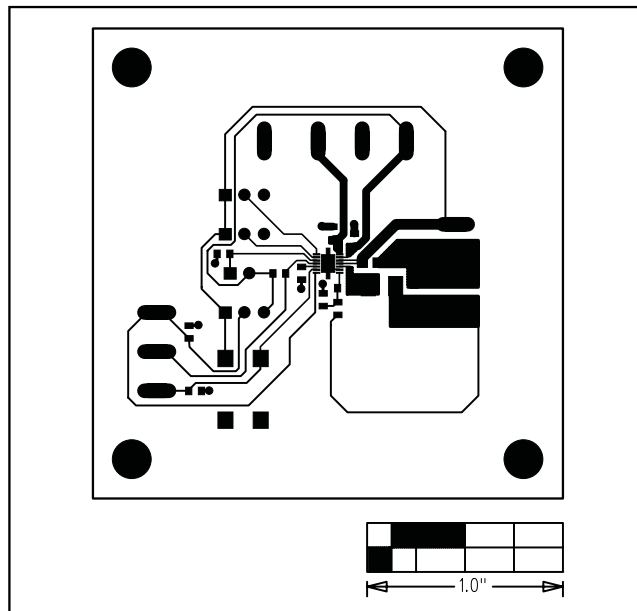


Figure 3. MAX8620Y EV Kit PCB Layout—Component Side

MAX8620Y Evaluation Kit

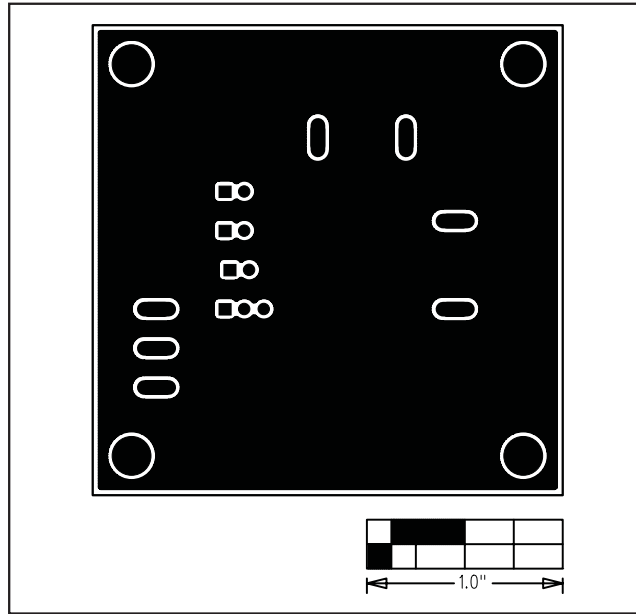


Figure 4. MAX8620Y EV Kit PCB Layout—Solder Side

Revision History

Pages changed at Rev 1: 1, 2, 3, 5

Maxim cannot assume responsibility for use of any circuitry other than circuitry entirely embodied in a Maxim product. No circuit patent licenses are implied. Maxim reserves the right to change the circuitry and specifications without notice at any time.

6 **Maxim Integrated Products, 120 San Gabriel Drive, Sunnyvale, CA 94086 408-737-7600**