

M-FLEX CAN 4I-4O CONTROLLER

The M-Flex CAN 4I-4O Controller is designed for severe duty, outdoor mobile applications and built to withstand the harsh temperatures, shock and vibration, moisture and electrical transients that are common to these environments.



M-Flex Controllers are typically used for construction, agriculture and turf care equipment, utility and power sports vehicles, marine, military, outdoor power equipment and similar harsh environment applications.



FEATURES

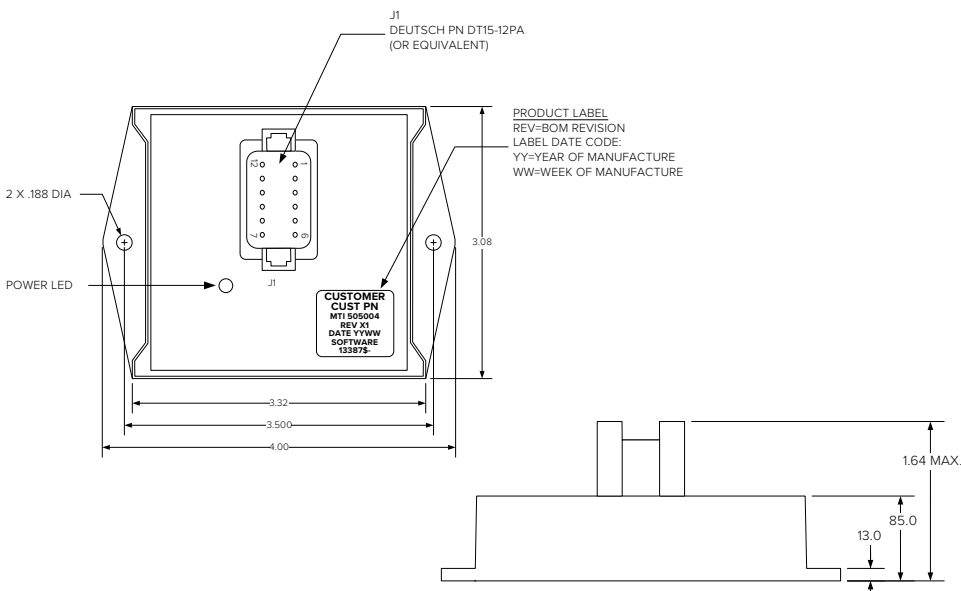
- Designed for severe duty, outdoor mobile applications.
- Designed for 12V and 24V applications.
- Configurable inputs and outputs for customizing controller to each application.
- Outputs have closed-loop current sensing for accurate control of proportional valves.
- 250/500-Kbps auto baud detect.
- Fully encapsulated electronics for complete environmental protection.
- Deutsch DT style connector.
- Bi-color status indicator.
- IP67 and IP69K rated (with appropriate connector boots).
- RoHS and CE compliant.
- Multiple programming options:
 - User-programmable software tool provided by Marlin.
 - Custom application programming provided by Marlin.

SPECIFICATIONS

Specifications subject to change without notice. \ Revised 04.23

Supply Voltage	8-36VDC operating range, reverse polarity protected
Max Current	12A max current, 3A per output
CAN Protocol	SAE J1939, CAN Open, NMEA2000
Inputs	(2) inputs configurable as Analog, Digital, or Frequency (2) inputs configurable as Analog or Digital
Outputs	(4) Half-bridge (High-Side or Low-Side) Up to 4 at a time can be PWM
Indicators	(1) green LED status indicator
Connector	Deutsch DT04-12
Mounting	(2) M6 or 1/4" screws
Ingress Protection	IP67 and IP69K rated (with appropriate connector boots)
Operating Temperature	-40 to 85C
Storage Temperature	-40 to 85C
Packaging	3.0" x 3.0" x 0.87" Noryl housing with integral mounting tabs, electronics fully encapsulated
Baud Rate	Auto detection for 250/500 kbps
Weight (oz.)	5.5 oz.

DIMENSIONS



For a detailed specification visit
marlintech.com/m-flex

Marlin Technologies, Inc.
101 Industrial Drive \ P.O. Box 123
Horicon, WI 53032-1803
920.485.4463 \ P
920.485.2899 \ F

MARLINTECH.COM

Made in the USA with Imported Materials