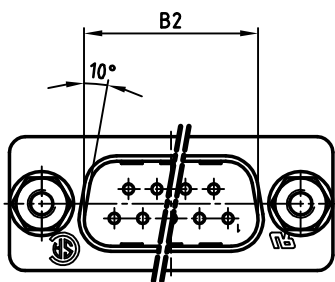
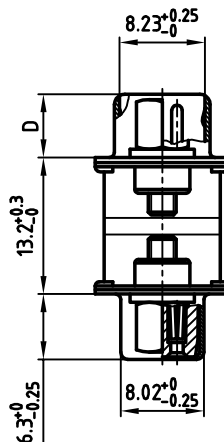
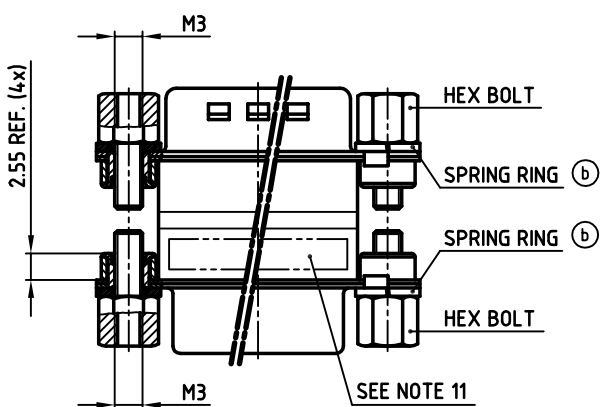
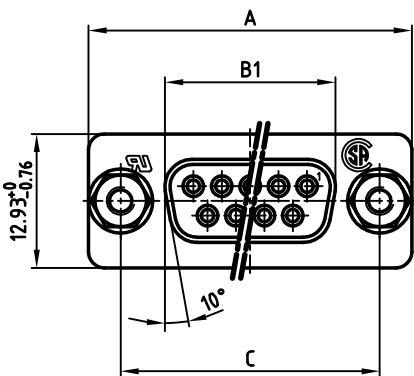


used for: FULL METAL π -FILTER

| POS. | PART NO. SOCKET CONNECTOR / PLUG CONNECTOR M3 | | | |
|------|--|------------------|------------------|------------------|
| | 2 x 180pF±20% | 2 x 370pF±20% | 2 x 830pF±20% | 2 x 1300pF±20% |
| 9 | MAP1XAAAH01R361X | MAP1XAAAH01R741X | MAP1XAAAH01R162X | MAP1XAAAH01R262X |
| 15 | MAP2XAAAH01R361X | MAP2XAAAH01R741X | MAP2XAAAH01R162X | MAP2XAAAH01R262X |
| 25 | MAP3XAAAH01R361X | MAP3XAAAH01R741X | MAP3XAAAH01R162X | MAP3XAAAH01R262X |
| 37 | MAP4XAAAH01R361X | MAP4XAAAH01R741X | MAP4XAAAH01R162X | MAP4XAAAH01R262X |

| POS. | A ^{-0.76} | B1 ^{-0.25} | B2 ^{+0.25} | C | D ^{-0.3} |
|------|--------------------|---------------------|---------------------|---|-------------------|
| 9 | 31.19 | 16.46 | 16.79 | 25.00 ^{+0.12} _{-0.13} | 6.12 |
| 15 | 39.52 | 24.79 | 25.12 | 33.30 ^{+0.15} _{-0.1} | 6.12 |
| 25 | 53.42 | 38.50 | 38.84 | 47.04 ^{+0.13} | 5.99 |
| 37 | 69.70 | 54.96 | 55.30 | 63.50 ^{+0.13} | 5.99 |



NOTES:

- METALSHELLS: STEEL; min. 315µin TIN OVER 40-80µin NICKEL
- INSULATORS: PBT GF UL 94 V-0, BLACK
- CONTACTS: COPPER ALLOY
PLATING: 8µin HARD GOLD OVER min. 50µin NICKEL
- THREADED INSERT: COPPER ALLOY; min. 200µin TIN OVER 80µin NICKEL
- COLLAR: COPPER ALLOY; min. 200µin TIN OVER 80µin NICKEL
- Ⓒ 6. HEX BOLT: STEEL; NICKEL PLATED
- Ⓒ 7. SPRING RING: STEEL; NICKEL PLATED
- CAPACITANCE: SEE TABLE
- DIELECTRIC WITHSTANDING VOLTAGE: 300 VDC
- MAXIMUM TORQUE VALUE FOR THREAD: 6 in.LB
- CONNECTOR IS PART MARKED: PART-NO. CONEC ABC

Directive 2002/95/EC
"RoHS"
Compliant

| | |
|---|---|
| APPROVAL * FREIGABE * DEBLOCAGE * AUTORIZACION * APPROVAL | APPROVAL * FREIGABE * DEBLOCAGE * AUTORIZACION * APPROVAL |
| CUSTOMER APPROVAL DATE: | |
| NAME: | TITLE: |
| COMPANY NAME: | |
| APPROVAL * FREIGABE * DEBLOCAGE * AUTORIZACION * APPROVAL | |

THIS DRAWING MAY NOT BE COPIED OR REPRODUCED IN ANY WAY, AND MAY NOT BE PASSED ON TO A THIRD PARTY, WITHOUT WRITTEN PERMISSION.
OWNERSHIP AND COPYRIGHT OF CONEC GmbH
DO NOT ALTER CAD DRAWING BY HAND

| rev. | description | date | name |
|-------|-------------|------------|-------|
| 2xc | Ä 2635 | 22.12.2006 | ES |
| 2 x b | Ä 1744 | 06.03.2003 | Parei |

tolerance

| | | |
|-------|--------|-------|
| 2003 | date | name |
| drawn | 24.01. | Parei |
| appd. | 24.01. | Kühle |
| norm | | |
| d-old | | |

CONEC[®]

scale: 2:1
material: SEE NOTES

title:
FULL METAL π -FILTER ADAPTER
PLUG / SOCKET 9-37pos.
with hex bolts - M3 and spring rings

dwg no: AutoCAD 2000 DIN-A
3 sh: 1/1

part no: **24K1A358**
SEE TABLE