

Features

- High Gain: 24 dB
- P1dB: 34 dBm
- P3dB: 35 dBm
- IM3 Level: -18 dBc @ P_{OUT} 30 dBm/tone
- Power Added Efficiency: 23% @ P3dB
- Lead-Free 5 mm AQFN 32-lead Package
- RoHS* Compliant

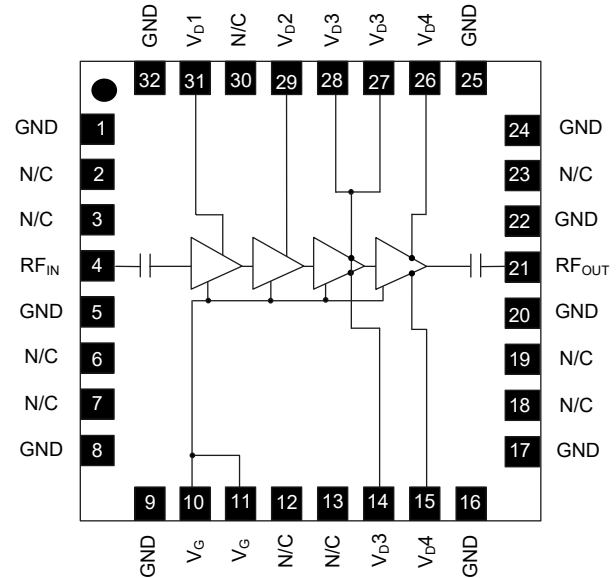
Description

The MAAP-011289 is a 3 Watt, 4-stage power amplifier assembled in a lead-free 5 mm 32-lead AQFN plastic package. This power amplifier operates from 28 to 30 GHz and provides 24 dB of linear gain, 3 W saturated output power and 23% efficiency while biased at 6 V.

The MAAP-011289 can be used as a power amplifier stage or as a driver stage in higher power applications. This device is ideally suited for VSAT and 28 GHz PTP applications.

This product is fabricated using a GaAs pHEMT process which features full passivation for enhanced reliability.

Functional Schematic



Pin Configuration³

Pin #	Function	Pin #	Function
1	Ground	20	Ground
2, 3	No Connection	21	RF Output
4	RF Input	22	Ground
5	Ground	23	No Connection
6, 7	No Connection	24, 25	Ground
8, 9	Ground	26	Drain Voltage 4
10, 11	Gate Voltage	27, 28	Drain Voltage 3
12, 13	No Connection	29	Drain Voltage 2
14	Drain Voltage 3	30	No Connection
15	Drain Voltage 4	31	Drain Voltage 1
16, 17	Ground	32	Ground
18, 19	No Connection	Paddle ⁴	Ground

Ordering Information^{1,2}

Part Number	Package
MAAP-011289-TR0500	500 piece reel
MAAP-011289-SMB	Sample Board

1. Reference Application Note M513 for reel size information.
2. All sample boards include 3 loose parts.

3. MACOM recommends connecting all No Connection (N/C) pins to ground.
4. The exposed pad centered on the package bottom must be connected to RF, DC and thermal ground.

* Restrictions on Hazardous Substances, compliant to current RoHS EU directive.

Electrical Specifications: Freq. = 28 & 30 GHz, T_A = +25°C, V_D = 6 V, Z₀ = 50 Ω

Parameter	Test Conditions	Units	Min.	Typ.	Max.
Gain	P _{IN} = -5 dBm, 28 GHz P _{IN} = -5 dBm, 30 GHz	dB	22 21	26 24	—
P _{OUT}	P _{IN} = 11 dBm, 28 GHz P _{IN} = 13 dBm, 30 GHz	dBm	33 33	34.0 34.5	—
IM3 Level	P _{OUT} = 30 dBm / tone	dBc	—	-18	—
Power Added Efficiency	P _{IN} = 11 & 13 dBm	%	—	23	—
Input Return Loss	P _{IN} = -20 dBm	dB	—	14	—
Output Return Loss	P _{IN} = -20 dBm	dB	—	14	—
Quiescent Current	I _{DQ} (see bias conditions, page 4)	mA	—	1500	—
Current	P _{IN} = 11 & 13 dBm	mA	—	2300	—

Maximum Operating Ratings

Parameter	Rating
Input Power, Pulsed	16 dBm
Junction Temperature ^{5,6}	+160°C
Operating Temperature	-40°C to +85°C

5. Operating at nominal conditions with junction temperature $\leq +160^\circ\text{C}$ will ensure $\text{MTTF} > 1 \times 10^6$ hours.
6. Junction Temperature (T_J) = T_C + $\Theta_{\text{JC}} * ((V * I) - (P_{\text{OUT}} - P_{\text{IN}}))$
Typical CW thermal resistance (Θ_{JC}) = 4.8 °C/W.
 - a) For T_C = +25°C
T_J = +75°C @ 6 V, 2.3 A, P_{OUT} = 35.2 dBm, P_{IN} = 13 dBm
 - b) For T_C = +85°C
T_J = 132°C @ 6 V, 2 A, P_{OUT} = 33.6 dBm, P_{IN} = 13 dBm

Absolute Maximum Ratings^{7,8}

Parameter	Absolute Maximum
Input Power, CW	18 dBm
Drain Voltage	+6.5 V
Gate Voltage	-3 to 0 V
Junction Temperature ⁹	+175°C
Storage Temperature	-65°C to +125°C

7. Exceeding any one or combination of these limits may cause permanent damage to this device.
8. MACOM does not recommend sustained operation near these survivability limits.
9. Junction temperature directly effects device MTTF. Junction temperature should be kept as low as possible to maximize lifetime.

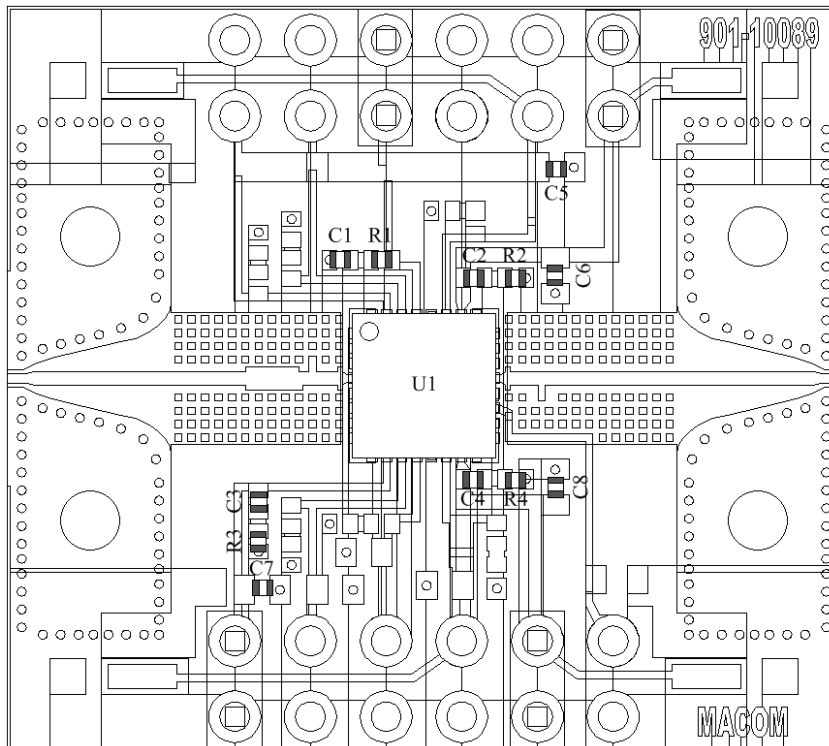
Handling Procedures

Please observe the following precautions to avoid damage:

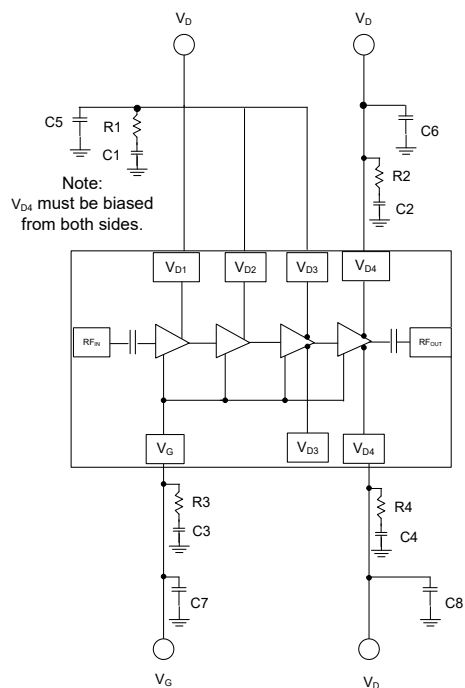
Static Sensitivity

These electronic devices are sensitive to electrostatic discharge (ESD) and can be damaged by static electricity. Proper ESD control techniques should be used when handling these HBM Class 1A devices.

Sample Board Layout



Application Schematic



Parts List

Part	Value	Case Style
C1 - C4	0.01 μ F	0402
C5 - C8	1 μ F	0603
R1 - R4	10 Ω	0402

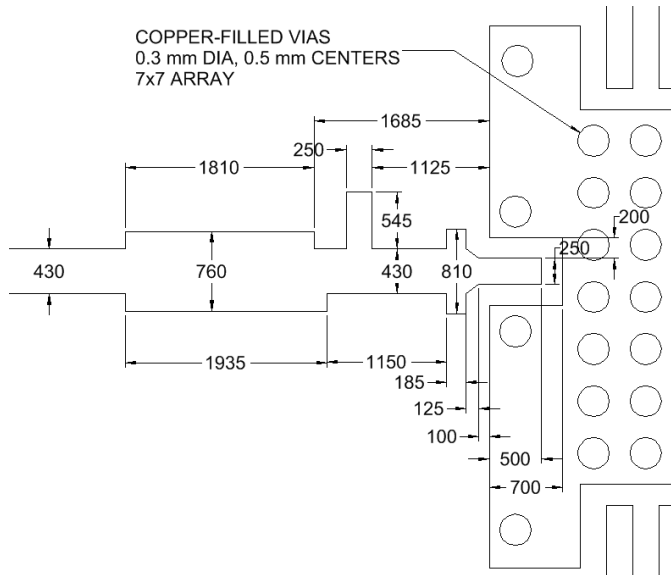
Sample Board Material Specifications

Top Layer: 1/2 oz Copper Cladding, 0.017 mm thickness
 Dielectric Layer: Rogers RO4003C 0.203 mm thickness
 Bottom Layer: 1/2 oz Copper Cladding, 0.017 mm thickness
 Finished overall thickness: 0.238 mm

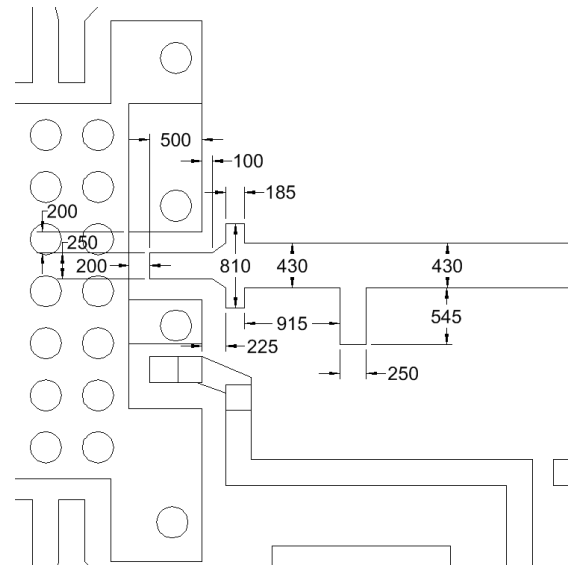
Recommended PCB Layout Detail:

RF input and output pre-matching circuit patterns are designed to compensate packaging effects. Transmission line dimensions apply to a PCB with 0.203 mm thick Rogers RO4003C laminate dielectric. Performance curves shown in this data sheet were measured with these circuit patterns.

Input Tuning:



Output Tuning:



Biasing Conditions

Recommended biasing conditions are $V_D = 6\text{ V}$, $I_{DQ} = 1500\text{ mA}$ (controlled with V_G). The drain bias voltage range is 3 to 6 V, and the quiescent drain current biasing range is 1300 to 1700 mA.

V_G pins 10 and 11 are connected internally; choose either pin for layout convenience. Muting can be accomplished by setting the V_G to the pinched off voltage ($V_G = -2\text{ V}$).

V_D bias must be applied to V_{D1} , V_{D2} , V_{D3} , and V_{D4} pins. V_{D3} pins 27 and 28 are connected internally; choose either pin for layout convenience. Two V_{D4} pins 15 and 26 (not connected internally) are required for current symmetry.

Operating the MAAP-011289

Turn-on

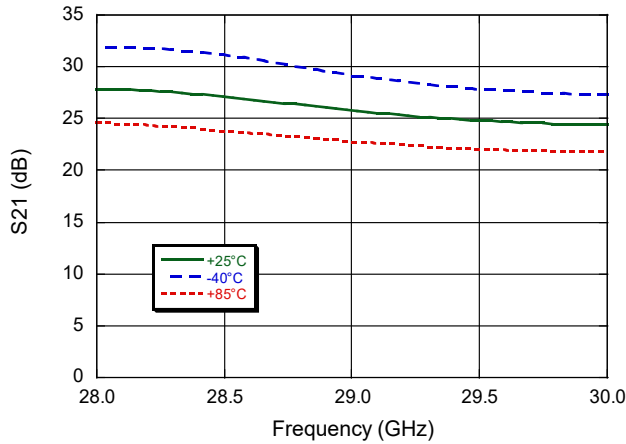
1. Apply V_G (-1.5 V).
2. Apply V_D (6.0 V typical).
3. Set I_{DQ} by adjusting V_G more positive (typically -0.9 to -1.0 V for $I_{DQ} = 1500\text{ mA}$).
4. Apply RF_{IN} signal.

Turn-off

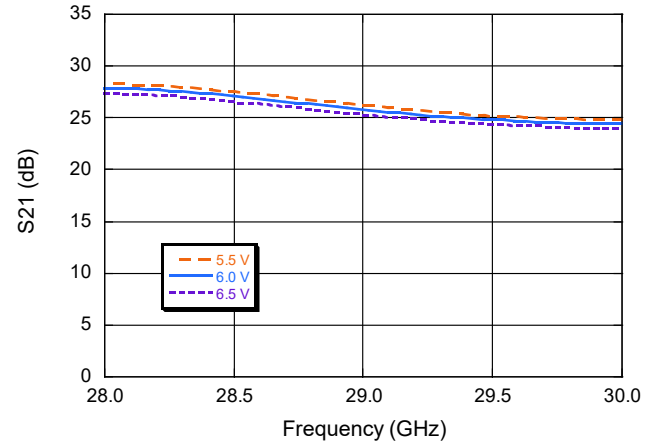
1. Remove RF_{IN} signal.
2. Decrease V_G to -1.5 V.
3. Decrease V_D to 0 V.

Typical Performance Curves

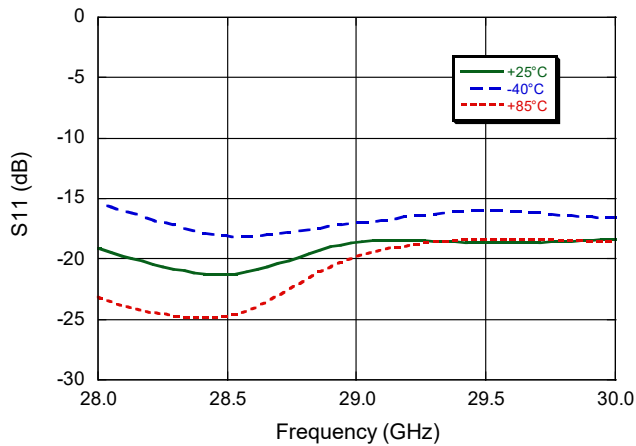
Small Signal Gain vs. Frequency over Temperature



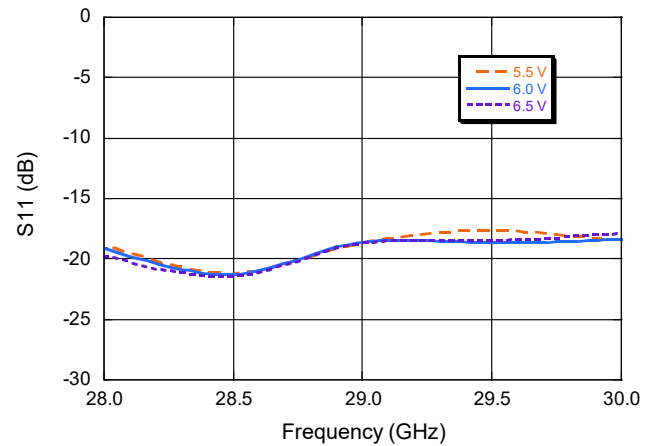
Small Signal Gain vs. Frequency over Bias Voltage



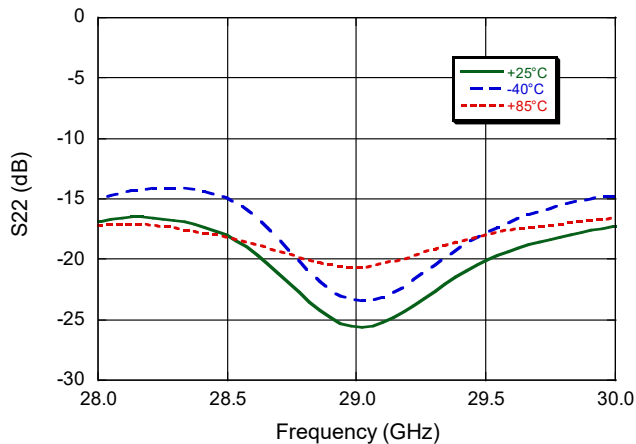
Input Return Loss vs. Frequency over Temperature



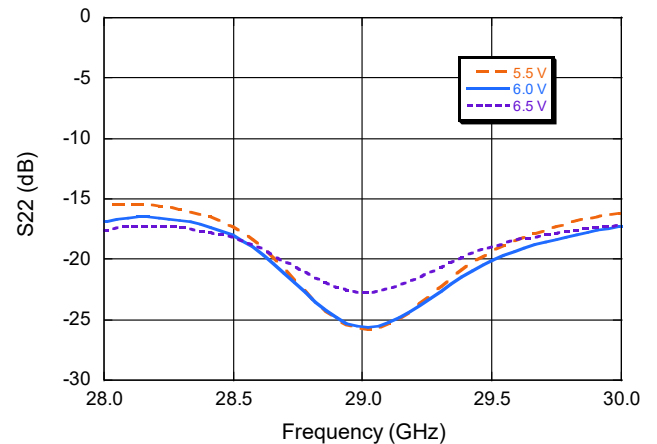
Input Return Loss vs. Frequency over Bias Voltage



Output Return Loss vs. Frequency over Temperature

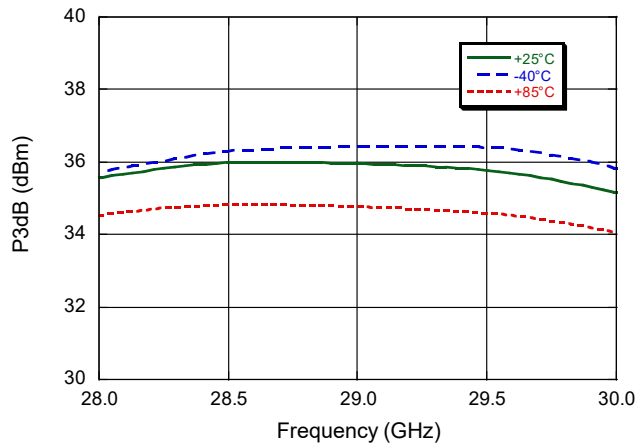


Output Return Loss vs. Frequency over Bias Voltage

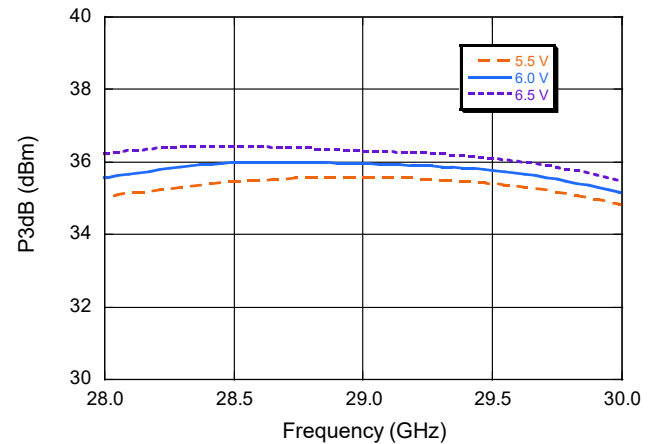


Typical Performance Curves

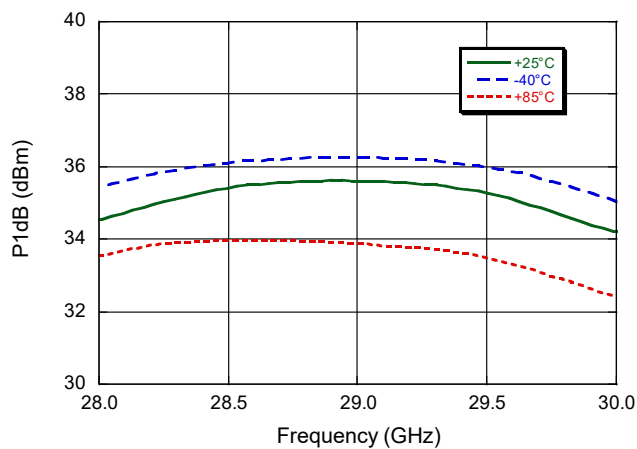
P3dB vs. Frequency over Temperature



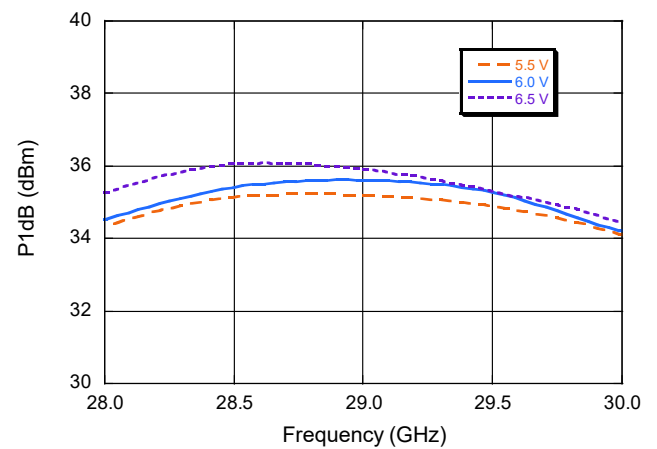
P3dB vs. Frequency over Bias Voltage



P1dB vs. Frequency over Temperature

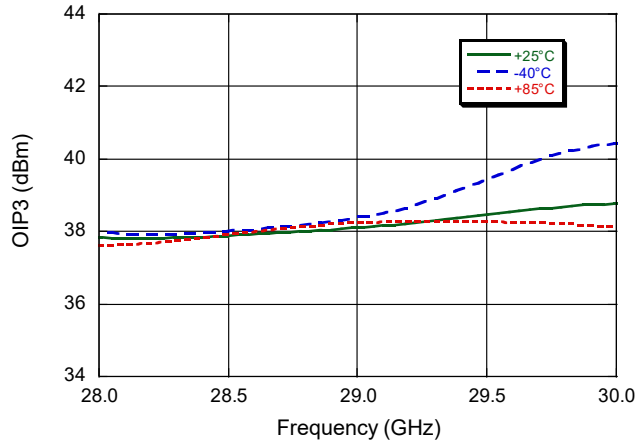


P1dB vs. Frequency over Bias Voltage

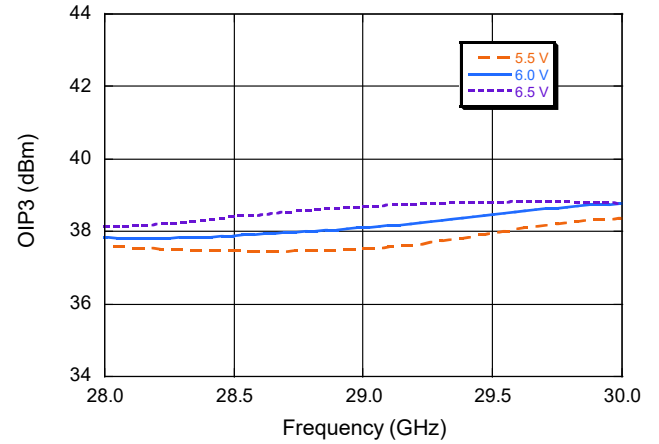


Typical Performance Curves

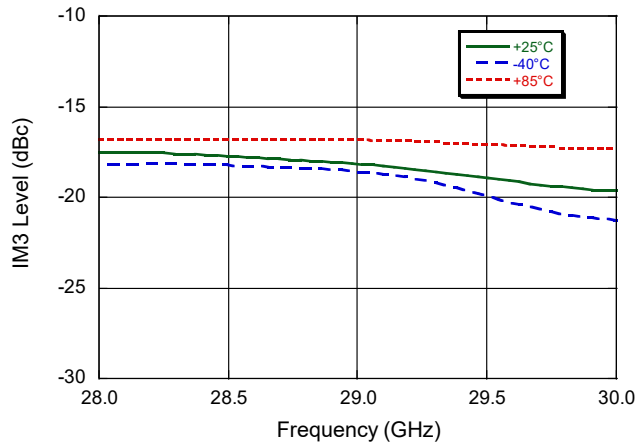
Output IP3 over Temperature ($P_{OUT} = 30$ dBm / Tone)



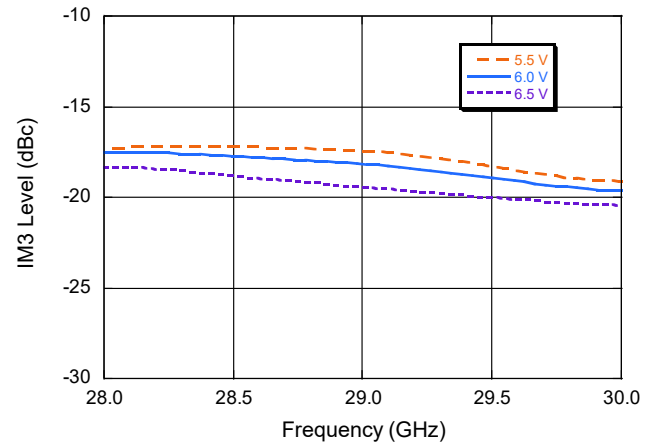
Output IP3 over Bias Voltage ($P_{OUT} = 30$ dBm / Tone)



IM3 over Temperature ($P_{OUT} = 30$ dBm / Tone)

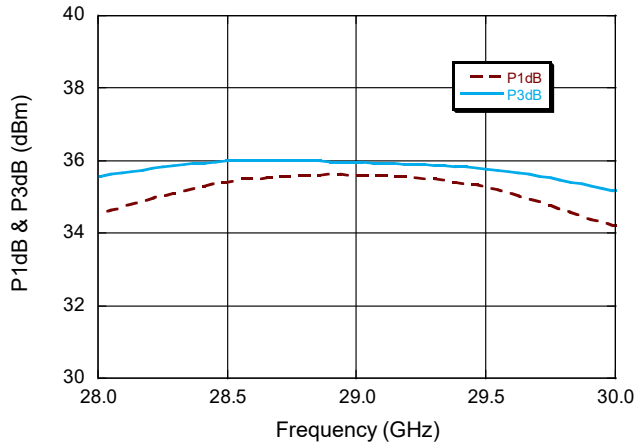


IM3 over Bias Voltage ($P_{OUT} = 30$ dBm / Tone)

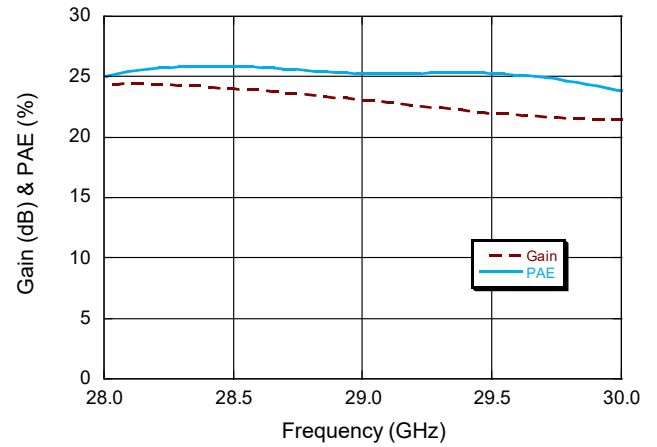


Typical Performance Curves

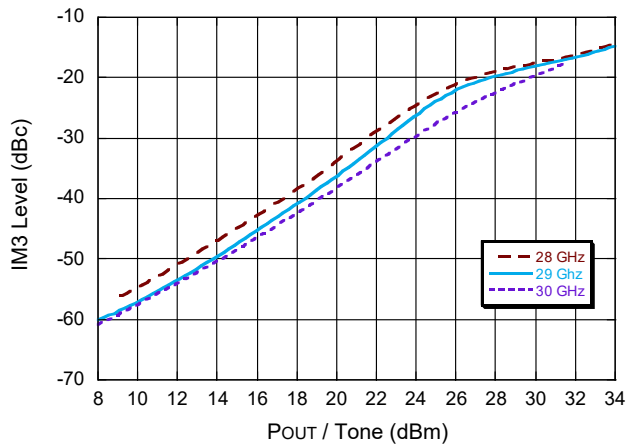
P1dB, P3dB vs. Frequency



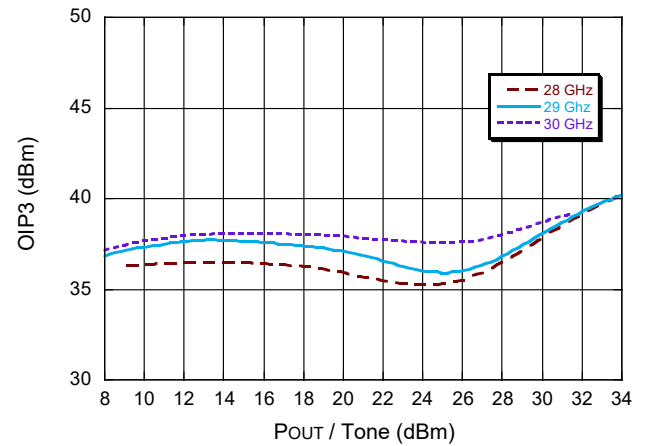
Gain and PAE @ P3dB vs. Frequency



IM3 vs. Output Power

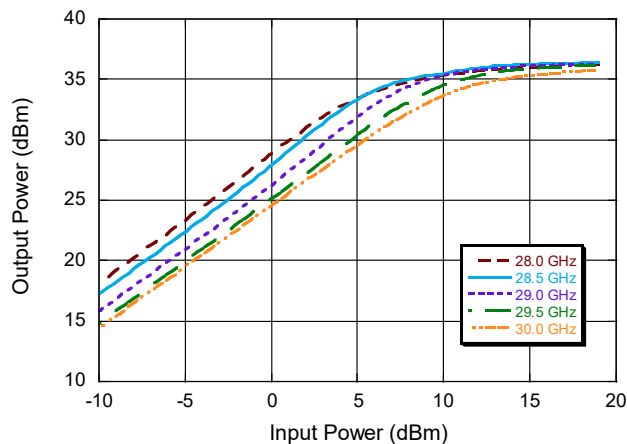


Output IP3 vs. Output Power

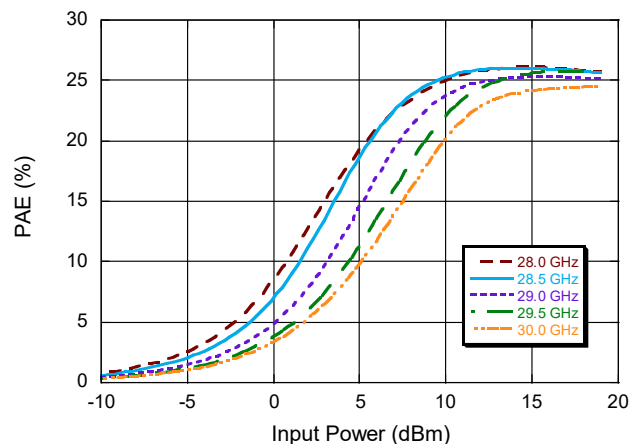


Typical Performance Curves

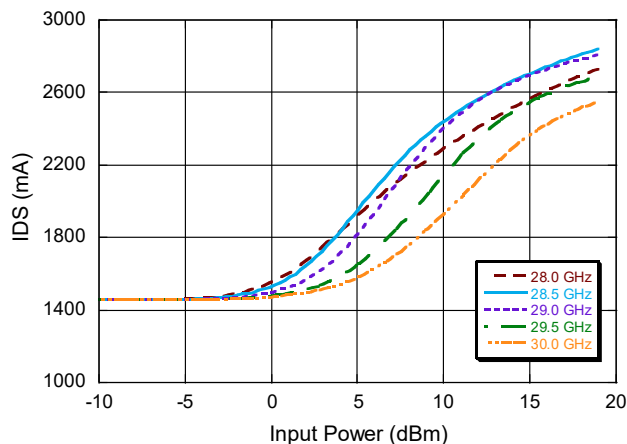
Output Power vs. Input Power



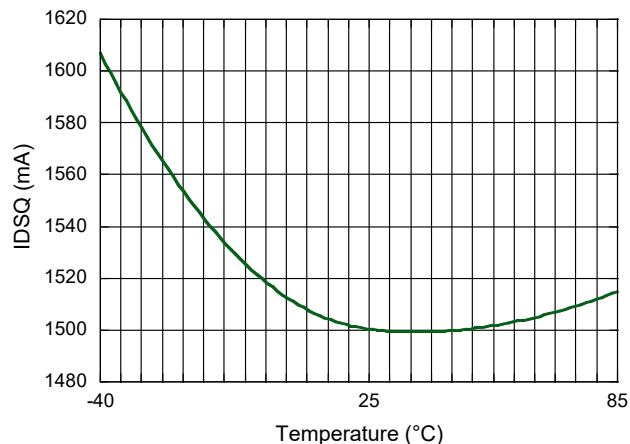
PAE vs. Input Power



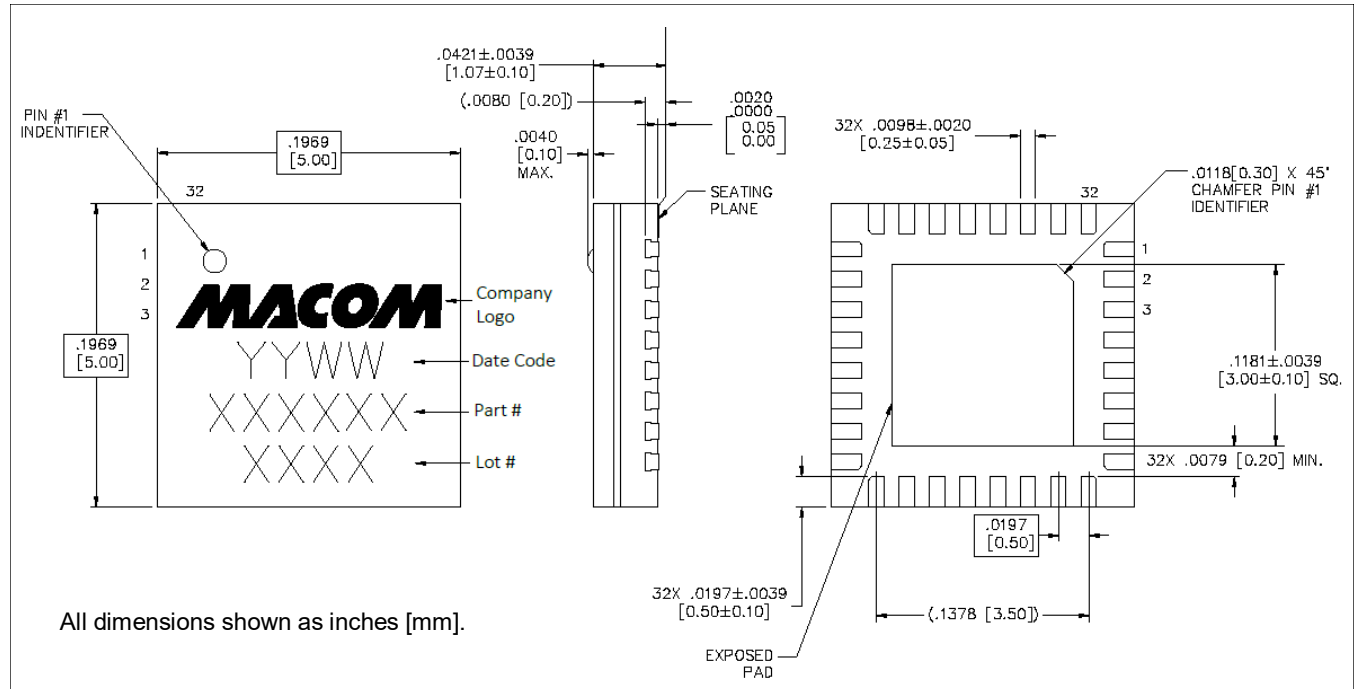
Bias Current vs. Input Power



Quiescent Drain Current vs. Temperature



Lead-Free 5 mm AQFN 32-Lead[†]



[†] Reference Application Note S2083 for lead-free solder reflow recommendations.
Meets JEDEC moisture sensitivity level 3 requirements.
Plating is NiPdAu.

MACOM Technology Solutions Inc. All rights reserved.

Information in this document is provided in connection with MACOM Technology Solutions Inc ("MACOM") products. These materials are provided by MACOM as a service to its customers and may be used for informational purposes only. Except as provided in MACOM's Terms and Conditions of Sale for such products or in any separate agreement related to this document, MACOM assumes no liability whatsoever. MACOM assumes no responsibility for errors or omissions in these materials. MACOM may make changes to specifications and product descriptions at any time, without notice. MACOM makes no commitment to update the information and shall have no responsibility whatsoever for conflicts or incompatibilities arising from future changes to its specifications and product descriptions. No license, express or implied, by estoppel or otherwise, to any intellectual property rights is granted by this document.

THESE MATERIALS ARE PROVIDED "AS IS" WITHOUT WARRANTY OF ANY KIND, EITHER EXPRESS OR IMPLIED, RELATING TO SALE AND/OR USE OF MACOM PRODUCTS INCLUDING LIABILITY OR WARRANTIES RELATING TO FITNESS FOR A PARTICULAR PURPOSE, CONSEQUENTIAL OR INCIDENTAL DAMAGES, MERCHANTABILITY, OR INFRINGEMENT OF ANY PATENT, COPYRIGHT OR OTHER INTELLECTUAL PROPERTY RIGHT. MACOM FURTHER DOES NOT WARRANT THE ACCURACY OR COMPLETENESS OF THE INFORMATION, TEXT, GRAPHICS OR OTHER ITEMS CONTAINED WITHIN THESE MATERIALS. MACOM SHALL NOT BE LIABLE FOR ANY SPECIAL, INDIRECT, INCIDENTAL, OR CONSEQUENTIAL DAMAGES, INCLUDING WITHOUT LIMITATION, LOST REVENUES OR LOST PROFITS, WHICH MAY RESULT FROM THE USE OF THESE MATERIALS.

MACOM products are not intended for use in medical, lifesaving or life sustaining applications. MACOM customers using or selling MACOM products for use in such applications do so at their own risk and agree to fully indemnify MACOM for any damages resulting from such improper use or sale.