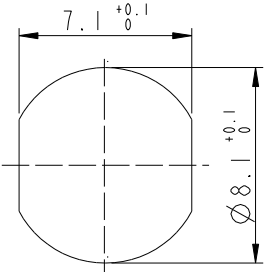
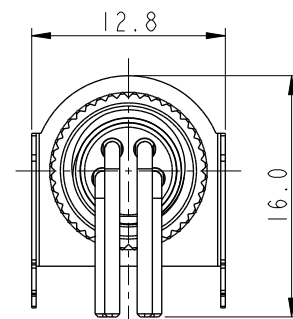
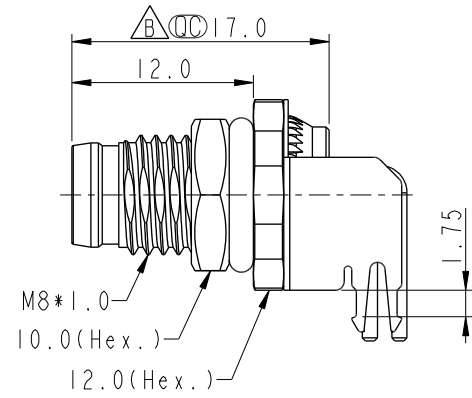
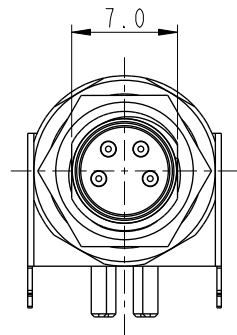


THIS DOCUMENT IS SUBJECT TO CHANGE WITHOUT NOTICE. IT IS CONFIDENTIAL AND A PROPERTY OF Amphenol LTW. DISCLOSURE TO THIRD PARTY HAS TO BE AUTHORIZED BY Amphenol LTW.

REV.	ECN NO.	DATE	SIGN	DESCRIPTION
B	C210686	2021/05/12	Vicky	$\triangle B$ X4

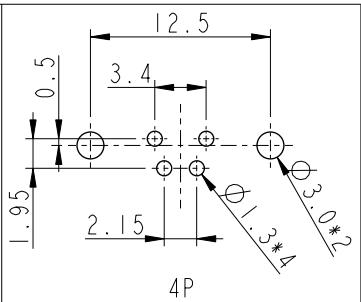
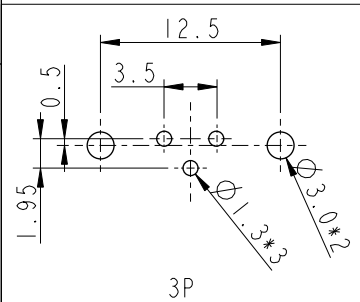


Recommended Panel Cut-Out

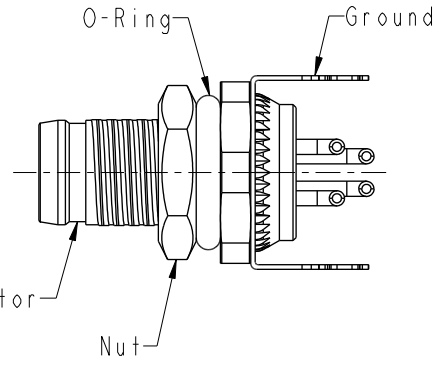


$\triangle B$   
M8S-XXPMMR-SF8001

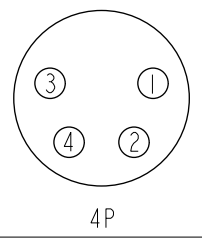
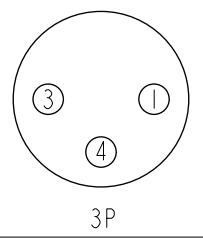
XX: No. Of Pin



PCB Layout



- $\triangle B$  Note:
- \* RoHS Compliant
  - \*  $\text{CC}$  Important dimension
  - \* Waterproof rate: IPX8, unmated 1m/24h
  - \* Connector
    - Housing: Thermoplastic, Black
    - Pin: Copper alloy, Gold plated
  - \* Shield: Metal
  - \* Ground: Metal
  - \* Nut: Metal
  - \* O-Ring: Rubber, Green
  - \* For panel thickness: 2.0~4.0mm
  - \* For pcb thickness max: 1.6mm
  - \* Nut is packed separately in pe bag



Pin Assignments Front View

UNIT: mm			TITLE N SEN, M8-SHLD, SCREW RECEPTACLE, M, M, PCB R
TOLERANCE .X ±0.25 .XX ±0.1 .XXX ±0.05 ANGLES ±1°	SCALE 2:1	SIZE A4	SHEET 1 OF 1
REV. B	WC-REV. A.7	$\text{CC}$ : Inspection item	

**Amphenol LTW**  
安費諾亮泰企業股份有限公司

ITEM NO.	DRAWN BY Yulong_wang	DATE 2016-01-20
DWG NO. M8S-XXPMMR-SF8001	CHECKED BY Cary	DATE 2016-01-20
CUSTOMER ALTW	APPROVED BY Jerry	DATE 2016-01-20