



BACKSHELLS

Tagline

BAND LOCK ADAPTER

Straight; 90° & 45°; Self-Lock

Connector Group J

26482 Series II; 5015 (MS345X); 83723 Series III

M85049	/82	-10	W	02
SERIES	SLASH SHEET	SIZE	FINISH	ENTRY SIZE
	82: Straight 83: 45° 84: 90°	Table A	View Table 2 Pg. XX	Table A

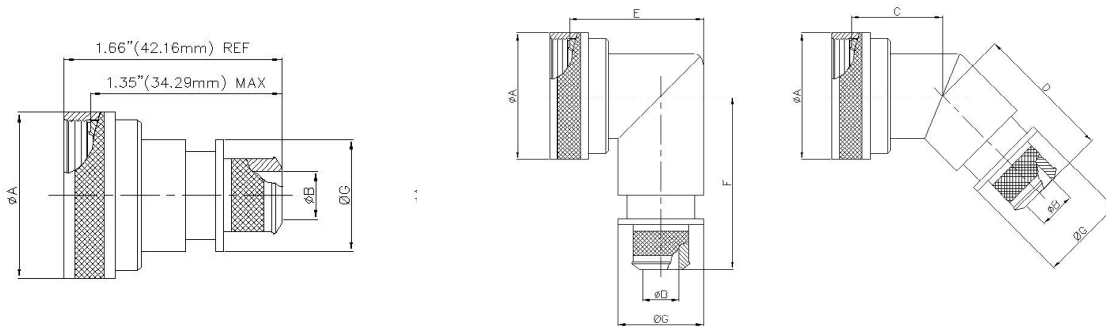


TABLE A

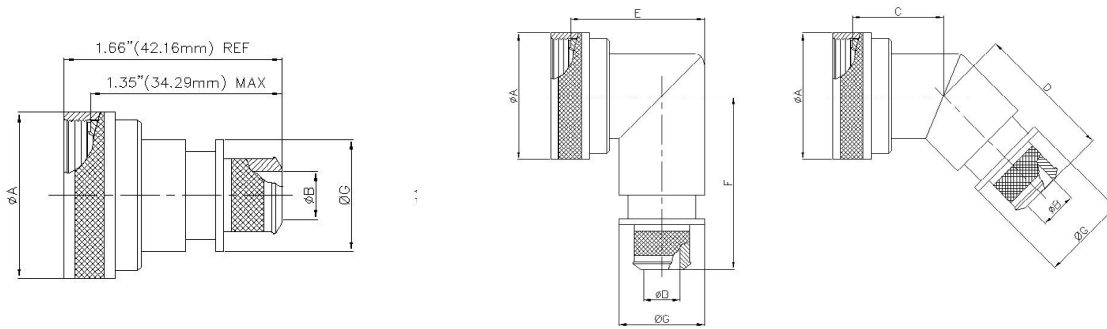
Connector Shell Size	Entry Size	Shell Size Connector	A Dia. Max.		B Dia. Max.		C Max.		D Max.		E Max.		F Max.		G Max.	
			inch	mm	inch +0.00 / -0.02	mm +0.00 / -0.50	inch	mm	inch	mm	inch	mm	inch	mm	inch	mm
08	03	8	0.89	22.48	0.26	6.60	0.87	22.10	1.16	29.46	1.19	30.18	1.42	35.99	0.56	14.22
10	03	10	1.01	25.65	0.32	8.13	0.89	22.61	1.18	29.97	1.28	32.54	1.48	37.59	0.63	16.00
12	02	7 / 12	1.14	28.83	0.32	8.13	0.92	23.37	1.20	30.48	1.41	35.71	1.54	39.17	0.63	16.00
	0.45				11.43	0.75									19.05	
14	02	12 / 14	1.26	32.00	0.45	11.43	0.94	23.88	1.22	30.99	1.53	38.89	1.61	40.77	0.75	19.05
	0.57				14.48	0.89									22.61	
16	02	19 / 16	1.39	35.18	0.51	12.95	0.96	24.38	1.25	31.75	1.66	42.06	1.67	42.34	0.82	20.83
	0.64				16.26	0.95									24.13	
18	02	27 / 18	1.51	38.35	0.64	16.26	0.98	24.89	1.26	32.00	1.72	43.64	1.73	43.94	0.95	24.13
	0.76				19.30	1.07									27.18	
20	02	37 / 20	1.64	41.53	0.64	16.26	1.00	25.40	1.29	32.77	1.84	46.84	1.79	45.52	0.95	24.13
	0.82				20.83	1.13									28.07	
22	02	22	1.76	44.70	0.70	17.78	1.03	26.16	1.31	33.27	1.94	49.23	1.85	46.99	1.02	25.99
	0.95				24.13	1.26									32.00	
24	02	24	1.89	47.88	0.76	19.30	1.05	26.67	1.34	34.04	2.9	53.16	1.92	48.69	1.07	27.18
	1.01				25.65	1.32									33.53	
28	02	28	2.14	54.23	0.89	22.61	1.10	27.94	1.38	35.05	2.53	64.29	2.04	51.87	1.19	30.23
	1.14				28.96	1.47									37.34	

BAND LOCK ADAPTER

Straight; 90° & 45°; Self-Lock
38999 Series I & Series II

Connector Group K

M85049	/85	-10	W	02
SERIES	SLASH SHEET	SIZE	FINISH	ENTRY SIZE
	85: Straight 86: 45 87: 90°	Table A	View Table 2 Pg. XX	Table A



Connector Shell Size	Entry Size /85	Entry Size /86 & /87	Shell Size Connector	A Dia. Max.		B Dia. Max.		C Max.		D Max.		E Max.		F Max.		G Max.	
				inch	mm	inch +0.00 / -0.02	mm +0.00 / -0.50	inch	mm	inch	mm	inch	mm	inch	mm	inch	mm
08	02	03	8/9	0.86	21.82	0.26	6.60	0.87	22.10	1.16	29.46	1.38	34.93	1.42	35.99	0.56	14.22
10	02	03	10/11	0.99	25.04	0.32	8.13	0.90	22.86	1.19	30.23	1.44	36.50	1.48	37.59	0.63	16.00
12	01	02	12/13	1.16	29.36	0.32	8.13	0.92	23.37	1.21	30.73	1.56	39.67	1.55	39.45	0.63	16.00
	02	03				0.45	11.43									0.75	19.05
14	01	02	14/15	1.28	32.54	0.45	11.43	0.95	24.13	1.24	31.50	1.69	42.85	1.61	41.00	0.75	19.05
	02	03				0.57	14.48									0.89	22.61
16	01	02	16/17	1.41	35.71	0.51	12.95	0.98	24.89	1.26	32.00	1.75	44.45	1.68	42.62	0.82	20.83
	02	03				0.64	16.26									0.95	24.13
18	01	02	18/19	1.52	38.51	0.64	16.26	0.98	24.89	1.27	32.26	1.88	47.63	1.73	44.02	0.95	24.13
	02	03				0.76	19.30									1.07	27.18
20	01	02	20/21	1.64	41.68	0.64	16.26	1.01	25.65	1.30	33.02	1.94	49.23	1.80	45.62	0.95	24.13
	02	03				0.82	20.83									1.13	28.07
22	01	02	22/23	1.77	44.86	0.70	17.78	1.04	26.42	1.33	33.78	2.06	52.37	1.86	47.22	1.02	25.99
	02	03				0.95	24.12									1.26	32.00
24	01	02	24/25	1.89	48.03	0.76	19.30	1.07	27.18	1.35	34.29	2.13	53.98	1.92	48.74	1.07	27.18
	02	03				1.01	26.65									1.32	33.53

BAND LOCK ADAPTER

Straight; 90° & 45°; Self-Lock
38999 Series III & Series IV

Connector Group L

M85049	/88	-10	W	02
SERIES	SLASH SHEET	SIZE	FINISH	ENTRY SIZE
	88: Straight 89: 45 90: 90°	Table A	View Table 2 Pg. XX	Table A

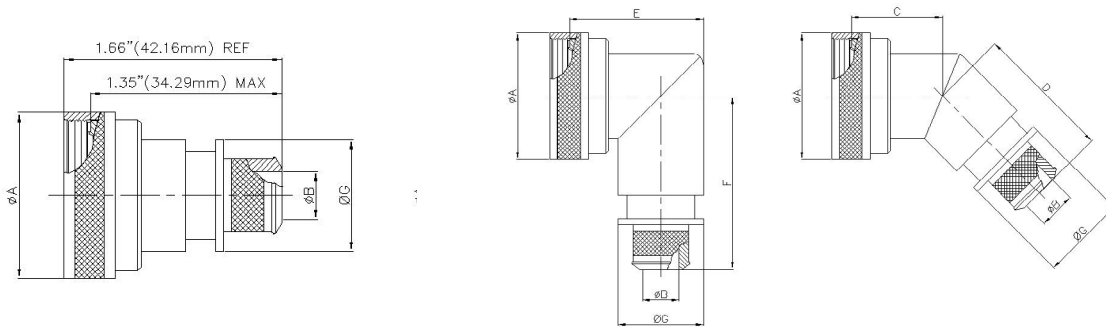


TABLE-A																
Connector Shell Size	Entry Size	Shell Size Connector	A Dia. Max.		B Dia. Max.		C Max.		D Max.		E Max.		F Max.		G Max.	
			inch	mm	inch +0.00 / -0.02	mm +0.00 / -0.50	inch	mm	inch	mm	inch	mm	inch	mm	inch	mm
9	03	9 / A	0.86	21.82	0.26	6.60	1.01	25.65	1.16	29.46	1.38	34.93	1.42	35.99	N/A	N/A
11	03	11 / B	0.99	25.04	0.32	8.13	1.03	26.16	1.19	30.23	1.44	36.50	1.48	37.59	N/A	N/A
13	02	13 / C	1.16	29.36	0.32	8.13	1.06	26.92	1.21	30.73	1.56	39.67	1.55	39.45	0.63	16.00
	03				0.45	11.43									0.75	19.05
15	02	15 / D	1.28	32.54	0.45	11.43	1.8	27.43	1.24	31.50	1.69	42.85	1.61	41.00	0.75	19.05
	03				0.57	14.48									0.89	22.61
17	02	17 / E	1.41	35.71	0.51	12.95	1.11	28.19	1.26	32.00	1.75	44.45	1.68	42.62	0.82	20.83
	03				0.64	16.26									0.95	24.13
19	02	19 / F	1.52	38.51	0.64	16.26	1.12	28.45	1.27	32.26	1.88	47.63	1.77	45.03	0.95	24.13
	03				0.76	19.30									1.07	27.18
21	02	21 / G	1.64	41.68	0.64	16.26	1.15	29.21	1.30	33.02	1.94	49.23	1.80	45.62	0.95	24.13
	03				0.82	20.83									1.13	28.07
23	02	23 / H	1.77	44.86	0.70	17.78	1.17	29.72	1.33	33.78	2.06	52.37	1.86	47.22	1.02	25.99
	03				0.95	24.13									1.26	32.00
25	02	25 / J	1.89	48.03	0.76	19.30	1.20	30.48	1.35	34.29	2.13	53.98	1.92	48.74	1.07	27.18
	03				1.01	25.65									1.32	33.53

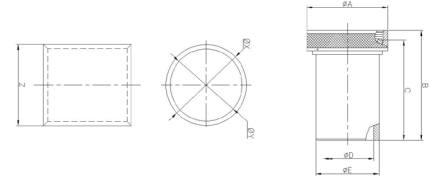
CRIMP RING ADAPTER

Straight; Spin Coupling

Connector Group J

26482 Series II; 5015 (MS345X); 83723 Series III

M85049	/26-1	-10	W
SERIES	SLASH SHEET	DASH NUMBER	FINISH
	26: Straight, Spin Coupling - Table A: 26-1 & 26-3 - Table B: 26-2		View Table 2 Pg. XX



Dash Number	Shell Size Connector	A Dia. Max.		B Dia. Max.		C Max.		D Max.		E Max.	
		inch	mm	inch	mm	inch	mm	inch	mm	inch	mm
8	8	0.62	15.67	1.28	32.34	0.96	24.38	0.25	6.35	0.35	8.81
10	10	0.73	18.64	1.28	32.34	0.96	24.38	0.33	8.26	0.50	12.70
12	7/12	0.86	21.79	1.28	32.34	0.96	24.38	0.42	10.67	0.51	12.95
14	12/14	0.98	24.99	1.28	32.34	0.96	24.38	0.54	13.72	0.63	16.00
16	19/16	1.11	28.24	1.28	32.34	0.96	24.38	0.67	17.02	0.76	19.30
18	27/18	1.22	30.94	1.28	32.34	0.96	24.38	0.79	20.04	0.89	22.61
20	37/20	1.35	34.16	1.28	32.34	0.96	24.38	0.91	23.22	1.01	25.65
22	22	1.47	37.29	1.28	32.34	0.96	24.38	1.04	26.39	1.13	28.70
24	24	1.59	40.46	1.28	32.34	0.96	24.38	1.11	28.24	1.20	30.48
28	28	1.97	50.01	1.44	36.55	0.96	24.38	1.39	35.28	1.56	39.62
32	32	2.22	56.36	1.44	36.55	0.96	24.38	1.64	41.53	1.81	45.97
36	36	2.47	62.71	1.44	36.55	0.96	24.38	1.85	46.99	2.06	52.32
40	40	2.72	69.06	1.44	36.55	0.96	24.38	2.07	52.45	2.31	58.67
44	44	2.97	75.41	1.44	36.55	0.96	24.38	2.32	58.93	2.56	65.02
48	48	3.22	81.76	1.44	36.55	0.96	24.38	2.57	65.28	2.81	71.37

Dash Number	Shell Size Connector	Part Number Color	X Dia.				Y Dia.				Z	
			Min.		Max.		Min.		Max.		inch	mm
			inch	mm	inch	mm	inch	mm	inch	mm		
8	8	Green	0.45	11.38	0.46	11.63	0.40	10.16	0.41	10.41	0.25	6.35
10	10	Red	0.66	16.76	0.68	17.27	0.59	14.86	0.60	15.11	0.44	11.18
12	7/12	Red	0.66	16.76	0.68	17.27	0.59	14.86	0.60	15.11	0.44	11.18
14	12/14	Blue	0.78	19.81	0.80	20.32	0.71	17.91	0.72	18.16	0.44	11.18
16	19/16	Gray	0.91	23.11	0.93	23.62	0.84	21.21	0.85	21.46	0.44	11.18
18	27/18	Brown	1.8	27.43	1.10	27.94	1.01	25.53	1.02	25.78	0.44	11.18
20	37/20	Green	1.20	30.48	1.22	30.99	1.13	28.58	1.14	28.83	0.44	11.18
22	22	Pink	1.32	33.53	1.34	34.04	1.25	31.62	1.26	31.88	0.44	11.18
24	24	Yellow	1.39	35.23	1.41	35.74	1.31	33.32	1.32	33.58	0.44	11.18
28	28	Red	1.74	44.20	1.76	44.70	1.67	42.29	1.68	42.55	0.44	11.18
32	32	Gray	1.99	50.55	2.01	51.05	1.92	48.64	1.93	48.90	0.44	11.18
36	36	Green	2.24	56.90	2.26	57.40	2.17	54.99	2.18	55.25	0.44	11.18
40	40	Orange	2.49	63.25	2.51	63.75	2.42	61.34	2.43	61.60	0.44	11.18
44	44	Yellow	2.74	69.20	2.76	70.10	2.67	67.69	2.68	67.95	0.44	11.18
48	48	Blue	2.99	75.95	3.01	76.45	2.92	74.04	2.93	74.30	0.44	11.18

CRIMP RING ADAPTER

Straight; Spin Coupling 38999 Series I & Series II

Connector Group K

M85049	/33-2	-10	W
SERIES	SLASH SHEET	DASH NUMBER	FINISH
	33: Straight	Table A	View Table 2 Pg. XX

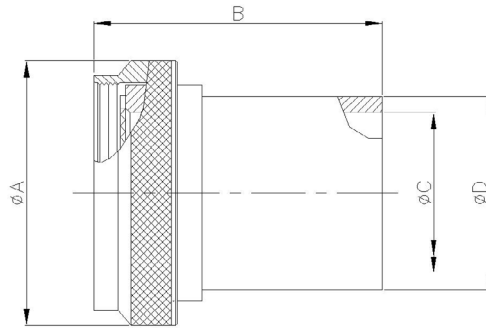


TABLE A									
Shell Size Accessory	Shell Size Connector	A Dia. Max.		B Dia. Max.		C Max.		D Max.	
		inch	mm	inch +0.00 / -0.02	mm +0.00 / -0.50	inch	mm	inch	mm
8	8 / 9	0.75	19.05	1.14	28.96	0.27	6.86	0.35	8.89
10	10 / 11	0.85	21.59	1.14	28.96	0.34	8.64	0.50	12.70
12	12 / 13	1.00	25.40	1.14	28.96	0.44	11.18	0.51	12.95
14	14 / 15	1.10	27.94	1.14	28.96	0.56	14.22	0.63	16.00
16	16 / 17	1.25	31.75	1.14	28.96	0.69	17.53	0.76	19.30
18	18 / 19	1.40	35.56	1.14	28.96	0.80	20.32	0.89	22.61
20	20 / 21	1.50	38.10	1.14	28.96	0.93	23.62	1.01	25.65
22	22 / 23	1.65	41.91	1.14	28.96	1.05	26.67	1.13	28.70
24	24 / 25	1.75	44.45	1.14	28.96	1.13	28.70	1.20	30.48

CRIMP RING ADAPTER

Straight; Spin Coupling
38999 Series III & Series IV

Connector Group L

M85049	/20	-11	W
SERIES	SLASH SHEET	SIZE	FINISH
	20: Straight	Table A	View Table 2 Pg. XX

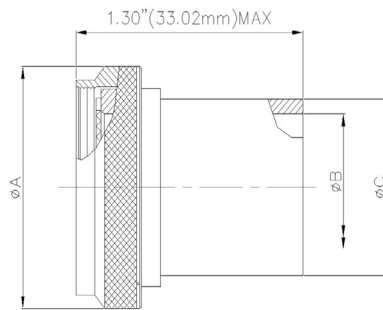


TABLE A									
Shell Size Accessory	Shell Size Connector	A Dia. Max.		B Dia. Max.		C Max.		D Max.	
		inch	mm	inch +0.00 / -0.02	mm +0.00 / -0.50	inch	mm	inch	mm
9	9 / A	0.75	19.05	0.27	6.73	0.35	8.81	0.35	8.89
11	11 / B	0.85	21.59	0.34	8.71	0.50	12.65	0.50	12.70
13	13 / C	1.00	25.40	0.44	11.10	0.51	12.95	0.51	12.95
15	15 / D	1.10	27.94	0.56	14.27	0.63	16.00	0.63	16.00
17	17 / E	1.25	31.75	0.69	17.45	0.76	19.30	0.76	19.30
19	19 / F	1.40	35.56	0.81	20.62	0.89	22.61	0.89	22.61
21	21 / G	1.50	38.10	0.94	23.80	1.01	25.65	1.01	25.65
23	23 / H	1.65	41.91	1.05	26.57	1.13	28.70	1.13	28.70
25	25 / J	1.75	44.45	1.13	28.58	1.20	30.53	1.20	30.48

ENVIRONMENTAL

90° & 45°; SPIN COUPLING

Connector Group J

26482 Series II; 5015 (MS345X); 83723 Series III

M85049	/7	-10	W
SERIES	SLASH SHEET	SIZE	FINISH
	7: 45° 9: 90°	Table A	View Table 2 Pg. XX

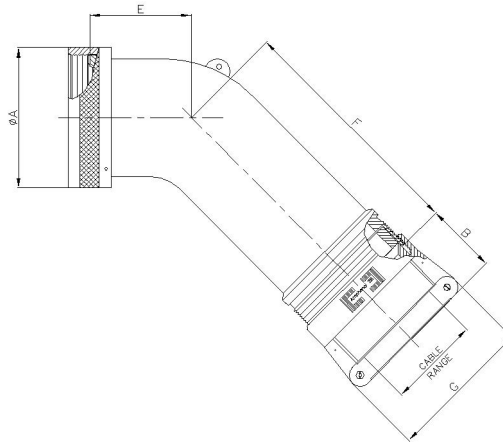


TABLE A

Shell Size Accessory	Dash Number	Shell Size Connector	A Dia. Max.		B Max.		C Ref. Max.		D Max.		E Max.		F Max.		G Max.		Cable Range			
			inch	mm	inch	mm	inch	mm	inch	mm	inch	mm	inch	mm	inch	mm	Max.		Min.	
																		inch	mm	inch
8	3	8	0.62	15.67	1.03	26.9	0.67	17.02	1.26	32.00	0.63	16.00	1.25	31.75	0.96	24.31	0.13	3.18	0.25	6.35
	4		0.73	18.64	1.03	26.9	0.76	19.30	1.98	50.29	0.69	17.53	1.92	48.77	0.96	24.31	0.13	3.18	0.31	7.92
10	49*	10	0.73	18.64	1.03	26.9	0.76	19.30	1.38	35.05	0.69	17.53	1.31	33.27	1.15	29.8	0.25	6.35	0.38	9.53
	5		0.73	18.64	1.03	26.9	0.76	19.30	2.00	50.80	0.75	19.05	1.98	50.29	0.96	24.31	0.13	3.18	0.31	7.92
12	6	7/12	0.86	21.79	1.03	26.9	0.77	19.56	2.00	50.80	0.75	19.05	1.98	50.29	0.96	24.31	0.13	3.18	0.31	7.92
	71*		0.86	21.79	1.03	26.9	1.81	45.97	2.16	54.86	1.65	41.91	2.18	55.37	1.33	33.83	0.35	8.89	0.63	15.88
	7		0.86	21.79	1.03	26.9	0.77	19.56	2.00	50.80	0.75	19.05	1.98	50.29	1.15	29.8	0.25	6.35	0.44	11.10
14	8	12/14	0.86	21.79	1.03	26.9	0.77	19.56	1.40	35.56	0.75	19.05	1.98	50.29	1.33	33.83	0.35	8.89	0.50	12.70
	9		0.98	24.99	1.03	26.9	0.87	22.10	2.07	52.58	0.81	20.57	2.07	52.58	1.15	29.8	0.25	6.35	0.44	11.10
	10		0.98	24.99	1.03	26.9	0.87	22.10	1.72	43.69	0.81	20.57	1.72	43.69	1.33	33.83	0.35	8.89	0.58	14.61
	50*		0.98	24.99	1.06	26.90	1.89	48.01	2.33	59.18	1.84	46.74	2.37	60.20	1.55	39.40	0.50	12.70	0.75	19.05
16	74	19/16	0.98	24.99	1.03	26.9	0.87	22.10	2.07	52.58	0.81	20.57	2.07	52.58	0.96	24.31	0.13	3.18	0.31	7.92
	11		1.11	28.24	1.03	26.9	1.05	26.67	2.16	54.86	0.91	23.11	2.18	55.37	1.15	29.8	0.25	6.35	0.44	11.10
	12		1.11	28.24	1.06	26.90	1.05	26.67	1.81	45.97	0.91	23.11	1.82	46.23	1.55	39.40	0.50	12.70	0.70	17.78
	40		1.11	28.24	1.03	26.9	1.05	26.67	2.16	54.86	0.91	23.11	2.18	55.37	1.33	33.83	0.35	8.89	0.63	15.88
	51*		1.11	28.24	1.16	29.36	2.04	51.82	2.44	61.98	1.94	49.28	2.52	64.01	1.77	44.96	0.63	15.88	0.94	23.80
75	1.11	28.24	1.03	26.9	1.05	26.67	2.16	54.86	0.91	23.11	2.18	55.37	0.96	24.31	0.13	3.18	0.31	7.92		

90° & 45°; SPIN COUPLING

Connector Group J

26482 Series II; 5015 (MS345X); 83723 Series III

TABLE A																				
Shell Size Accessory	Dash Number	Shell Size Connector	A Dia. Max.		B Max.		C Ref. Max.		D Max.		E Max.		F Max.		G Max.		Cable Range			
																	Max.		Min.	
			inch	mm	inch	mm	inch	mm	inch	mm	inch	mm	inch	mm	inch	mm	inch	mm	inch	mm
18	13	27/18	1.22	30.94	1.03	26.9	1.14	28.96	2.33	59.18	1.9	27.69	2.37	60.20	1.33	33.83	0.35	8.89	0.63	15.88
	14		1.22	30.94	1.16	29.36	1.14	28.96	1.98	50.29	1.9	27.69	2.00	50.80	1.77	44.96	0.63	15.88	0.78	19.79
	41		1.22	30.94	1.03	26.9	1.14	28.96	2.33	59.18	1.9	27.69	2.37	60.20	0.96	24.31	0.13	3.18	0.31	7.92
	42		1.22	30.94	1.03	26.9	1.14	28.96	2.33	59.18	1.9	27.69	2.37	60.20	1.15	29.8	0.25	6.35	0.44	11.10
	52		1.22	30.94	1.06	26.90	1.14	28.96	2.33	59.18	1.9	27.69	2.37	60.20	1.55	39.40	0.50	12.70	0.75	19.05
72*	1.22	30.94	1.16	29.36	2.05	52.07	2.44	61.98	1.94	49.28	2.52	64.01	1.77	44.96	0.63	15.88	0.94	23.80		
20	15	37/20	1.35	34.16	1.03	26.9	1.14	28.96	2.33	59.18	1.9	27.69	2.37	60.20	1.33	33.83	0.35	8.89	0.63	15.88
	16		1.35	34.16	1.16	29.36	1.14	28.96	1.98	50.29	1.9	27.69	2.00	50.80	1.77	44.96	0.63	15.88	0.90	22.96
	43		1.35	34.16	1.03	26.9	1.14	28.96	2.33	59.18	1.9	27.69	2.37	60.20	1.15	29.8	0.25	6.35	0.44	11.10
	54		1.35	34.16	1.06	26.90	1.14	28.96	2.33	59.18	1.9	27.69	2.37	60.20	1.55	39.40	0.50	12.70	0.75	19.05
	55		1.35	34.16	1.38	34.93	2.14	54.36	2.61	66.29	2.06	52.32	2.57	65.28	2.11	53.67	0.88	22.23	1.25	31.75
22	17	22	1.47	37.29	1.06	26.90	1.29	32.77	2.44	61.98	1.19	30.23	2.52	64.01	1.55	39.40	0.50	12.70	0.75	19.05
	18		1.47	37.29	1.38	34.93	1.29	32.77	2.9	53.9	1.19	30.23	2.16	54.86	2.11	53.67	0.88	22.23	1.03	26.14
	44		1.47	37.29	1.03	26.9	1.29	32.77	2.44	61.98	1.19	30.23	2.52	64.01	0.96	24.31	0.13	3.18	0.31	7.92
	45		1.47	37.29	1.03	26.9	1.29	32.77	2.44	61.98	1.19	30.23	2.52	64.01	1.15	29.8	0.25	6.35	0.44	11.10
	56		1.47	37.29	1.03	26.9	1.29	32.77	2.44	61.98	1.19	30.23	2.52	64.01	1.33	33.83	0.35	8.89	0.63	15.88
	57		1.47	37.29	1.16	29.36	1.29	32.77	2.44	61.98	1.19	30.23	2.52	64.01	1.77	44.96	0.63	15.88	0.94	23.80
	58*		1.47	37.29	1.38	34.93	2.14	54.36	2.61	66.29	2.06	52.32	2.57	65.28	2.11	53.67	0.88	22.23	1.25	31.75
24	19	24	1.59	40.46	1.06	26.90	1.29	32.77	2.44	61.98	1.19	30.23	2.52	64.01	1.55	39.40	0.50	12.70	0.75	19.05
	20		1.59	40.46	1.38	34.93	1.29	32.77	2.9	53.9	1.19	30.23	2.16	54.86	2.11	53.67	0.88	22.23	1.14	29.06
	46		1.59	40.46	1.03	26.9	1.29	32.77	2.44	61.98	1.19	30.23	2.52	64.01	1.33	33.83	0.35	8.89	0.63	15.88
	59		1.59	40.46	1.16	29.36	1.29	32.77	2.44	61.98	1.19	30.23	2.52	64.01	1.77	44.96	0.63	15.88	0.94	23.80
	73*		1.59	40.46	1.38	34.93	2.15	54.61	2.61	66.29	2.06	52.32	2.57	65.28	2.12	53.75	0.88	22.23	1.25	31.75
28	21	28	1.97	50.01	1.16	29.36	1.39	35.31	2.61	66.29	1.31	33.27	2.57	65.28	1.77	44.96	0.63	15.88	0.94	23.80
	22		1.97	50.01	1.50	38.10	1.39	35.31	2.26	57.40	1.31	33.27	2.22	56.39	2.36	60.02	1.00	25.40	1.38	34.93
	60		1.97	50.01	1.06	26.90	1.39	35.31	2.61	66.29	1.31	33.27	2.57	65.28	1.55	39.40	0.50	12.70	0.75	19.05
	61		1.97	50.01	1.38	34.93	1.39	35.31	2.61	66.29	1.31	33.27	2.57	65.28	2.11	53.67	0.88	22.23	1.25	31.75
32	23	32	2.22	56.36	1.16	29.36	1.74	44.20	2.86	72.64	1.38	35.05	2.67	67.82	1.77	44.96	0.63	15.88	0.94	23.80
	24		2.22	56.36	1.38	34.93	1.74	44.20	2.86	72.64	1.38	35.05	2.67	67.82	2.11	53.67	0.88	22.23	1.25	31.75
	25		2.22	56.36	1.78	45.24	1.74	44.20	2.51	63.75	1.38	35.05	2.32	58.93	2.77	70.36	1.25	31.75	1.63	41.28
	62		2.22	56.36	1.50	38.10	1.74	44.20	2.86	72.64	1.38	35.05	2.67	67.82	2.36	60.02	1.00	25.40	1.38	34.93
36	26	36	2.47	62.71	1.16	29.36	1.94	49.28	2.83	71.88	1.41	35.81	2.76	70.10	1.77	44.96	0.63	15.88	0.94	23.80
	27		2.47	62.71	1.50	38.10	1.94	49.28	2.83	71.88	1.41	35.81	2.76	70.10	2.36	60.02	1.00	25.40	1.38	34.93
	28		2.47	62.71	1.83	46.48	1.94	49.28	2.48	62.99	1.41	35.81	2.41	61.21	3.02	76.71	1.44	36.50	1.84	46.74
	47		2.47	62.71	1.06	26.90	1.94	49.28	2.83	71.88	1.41	35.81	2.76	70.10	1.55	39.40	0.50	12.70	0.75	19.05
	63		2.47	62.71	1.38	34.93	1.94	49.28	2.83	71.88	1.41	35.81	2.76	70.10	2.11	53.67	0.88	22.23	1.25	31.75
	64		2.47	62.71	1.78	45.24	1.94	49.28	2.83	71.88	1.41	35.81	2.76	70.10	2.77	70.36	1.25	31.75	1.63	41.28
40	29	40	2.72	69.06	1.16	29.36	2.69	68.33	2.83	71.88	2.16	54.86	2.76	70.10	1.77	44.96	0.63	15.88	0.94	23.80
	30		2.72	69.06	1.50	38.10	2.69	68.33	2.83	71.88	2.16	54.86	2.76	70.10	2.36	60.02	1.00	25.40	1.38	34.93
	31		2.72	69.06	1.83	46.48	2.69	68.33	2.48	62.99	2.16	54.86	2.41	61.21	3.02	76.71	1.44	36.50	1.88	47.63
	48		2.72	69.06	1.06	26.90	1.94	49.28	2.83	71.88	2.16	54.86	2.76	70.10	1.55	39.40	0.50	12.70	0.75	19.05
	65		2.72	69.06	1.38	34.93	2.69	68.33	2.83	71.88	2.16	54.86	2.76	70.10	2.11	53.67	0.88	22.23	1.25	31.75
	66		2.72	69.06	1.78	45.24	2.69	68.33	2.83	71.88	2.16	54.86	2.76	70.10	2.77	70.36	1.25	31.75	1.63	41.28
44	32	44	2.97	75.41	1.16	29.36	2.69	68.33	2.83	71.88	2.16	54.86	2.76	70.10	1.77	44.96	0.63	15.88	0.94	23.80
	33		2.97	75.41	1.50	38.10	2.69	68.33	2.83	71.88	2.16	54.86	2.76	70.10	2.36	60.02	1.00	25.40	1.38	34.93
	34		2.97	75.41	1.83	46.48	2.69	68.33	2.48	62.99	2.16	54.86	2.41	61.21	3.02	76.71	1.44	36.50	1.88	47.63
	67		2.97	75.41	1.38	34.93	2.69	68.33	2.83	71.88	2.16	54.86	2.76	70.10	2.11	53.67	0.88	22.23	1.25	31.75
	68		2.97	75.41	1.78	45.24	2.69	68.33	2.83	71.88	2.16	54.86	2.76	70.10	2.77	70.36	1.25	31.75	1.63	41.28
48	35	48	3.22	81.76	1.16	29.36	2.69	68.33	2.83	71.88	2.16	54.86	2.76	70.10	1.77	44.96	0.63	15.88	0.94	23.80
	36		3.22	81.76	1.50	38.10	2.69	68.33	2.83	71.88	2.16	54.86	2.76	70.10	2.36	60.02	1.00	25.40	1.38	34.93
	37		3.22	81.76	1.83	46.48	2.69	68.33	2.48	62.99	2.16	54.86	2.41	61.21	3.02	76.71	1.44	36.50	1.88	47.63
	69		3.22	81.76	1.38	34.93	2.69	68.33	2.83	71.88	2.16	54.86	2.76	70.10	2.11	53.67	0.88	22.23	1.25	31.75
	70		3.22	81.76	1.78	45.24	2.69	68.33	2.83	71.88	2.16	54.86	2.76	70.10	2.77	70.36	1.25	31.75	1.63	41.28

ENVIRONMENTAL

Straight, Spin Coupling

Connector Group J

26482 Series II; 5015 (MS345X); 83723 Series III

M85049	/11	-10	W
SERIES	SLASH SHEET	DASH NUMBER	FINISH
	11: Straight, Spin Coupling	Table A	View Table 2 Pg. XX

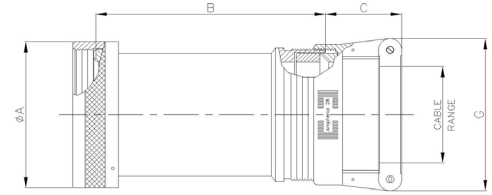


TABLE A

Shell Size Accessory	Dash Number	Shell Size Connector	A Dia. Max.		B Max.		C Ref. Max.		G Max.		Cable Range			
											Max.		Min.	
			inch	mm	inch	mm	inch	mm	inch	mm	inch	mm	inch	mm
08	05	8	0.62	15.67	2.13	54.10	1.03	26.9	0.96	24.31	0.13	3.18	0.25	6.35
	06		0.62	15.67	3.13	79.50	1.03	26.9	0.96	24.31	0.13	3.18	0.25	6.35
	07*		0.62	15.67	2.88	73.15	1.03	26.9	1.15	29.8	0.25	6.35	0.44	11.10
	8*		0.62	15.67	3.88	98.55	1.03	26.9	1.15	29.8	0.25	6.35	0.44	11.10
10	9	10	0.73	18.64	2.13	54.10	1.03	26.9	0.96	24.31	0.13	3.18	0.31	7.92
	10		0.73	18.64	3.13	79.50	1.03	26.9	0.96	24.31	0.13	3.18	0.31	7.92
	11*		0.73	18.64	2.88	73.15	1.03	26.9	1.15	29.8	0.25	6.35	0.44	11.10
	12*		0.73	18.64	3.88	98.55	1.03	26.9	1.15	29.8	0.25	6.35	0.44	11.10
	136		0.73	18.64	2.13	54.10	1.03	26.9	1.15	29.8	0.25	6.35	0.38	9.53
137	0.73	18.64	3.13	79.50	1.03	26.9	1.15	29.8	0.25	6.35	0.38	9.53		
12	13	7/12	0.86	21.79	2.13	54.10	1.03	26.9	1.15	29.8	0.25	6.35	0.44	11.10
	14		0.86	21.79	3.13	79.50	1.03	26.9	1.15	29.8	0.25	6.35	0.44	11.10
	15*		0.86	21.79	2.88	73.15	1.03	26.9	1.33	33.83	0.35	8.89	0.63	15.88
	16*		0.86	21.79	3.88	98.55	1.03	26.9	1.33	33.83	0.35	8.89	0.63	15.88
	111		0.86	21.79	2.13	54.10	1.03	26.9	1.33	33.83	0.35	8.89	0.50	12.70
	114		0.86	21.79	2.13	54.10	1.03	26.9	0.96	24.31	0.13	3.18	0.31	7.92
	115		0.86	21.79	3.13	79.50	1.03	26.9	0.96	24.31	0.13	3.18	0.31	7.92
	138		0.86	21.79	2.13	54.10	1.03	26.9	1.33	33.83	0.35	8.89	0.50	12.70
139	0.86	21.79	3.13	79.50	1.03	26.9	1.33	33.83	0.35	8.89	0.50	12.70		
14	17	12/14	0.98	24.99	2.13	54.10	1.03	26.9	1.33	33.83	0.35	8.89	0.58	14.61
	18		0.98	24.99	3.13	79.50	1.03	26.9	1.33	33.83	0.35	8.89	0.58	14.61
	19*		0.98	24.99	2.88	73.15	1.06	26.90	1.55	39.40	0.50	12.70	0.75	19.05
	20*		0.98	24.99	3.88	98.55	1.06	26.90	1.55	39.40	0.50	12.70	0.75	19.05
	116		0.98	24.99	2.13	54.10	1.03	26.9	1.15	29.8	0.25	6.35	0.44	11.10
	117		0.98	24.99	3.13	79.50	1.03	26.9	1.15	29.8	0.25	6.35	0.44	11.10
	150		0.98	24.99	2.13	54.10	1.03	26.9	0.96	24.31	0.13	3.18	0.31	7.92
151	0.98	24.99	3.13	79.50	1.03	26.9	0.96	24.31	0.13	3.18	0.31	7.92		
16	21	19/16	1.11	28.24	2.13	54.10	1.06	26.90	1.55	39.40	0.50	12.70	0.70	17.78
	22		1.11	28.24	3.13	79.50	1.06	26.90	1.55	39.40	0.50	12.70	0.70	17.78
	23*		1.11	28.24	2.88	73.15	1.16	29.36	1.77	44.96	0.63	15.88	0.94	23.80
	24*		1.11	28.24	3.88	98.55	1.16	29.36	1.77	44.96	0.63	15.88	0.94	23.80
	112		1.11	28.24	2.13	54.10	1.03	26.9	1.15	29.8	0.25	6.35	0.44	11.10
	113		1.11	28.24	3.13	79.50	1.03	26.9	1.15	29.8	0.25	6.35	0.44	11.10

Straight, Spin Coupling

Connector Group J

26482 Series II; 5015 (MS345X); 83723 Series III

TABLE A														
Shell Size Accessory	Dash Number	Shell Size Connector	A Dia. Max.		B Max.		C Ref. Max.		G Max.		Cable Range			
											Max.		Min.	
			inch	mm	inch	mm	inch	mm	inch	mm	inch	mm	inch	mm
16, cont.	118	19/16	1.11	28.24	2.13	54.10	1.03	26.9	1.33	33.83	0.35	8.89	0.63	15.88
	119		1.11	28.24	3.13	79.50	1.03	26.9	1.33	33.83	0.35	8.89	0.63	15.88
	152		1.11	28.24	2.13	54.10	1.03	26.9	0.96	24.31	0.13	3.18	0.31	7.92
	153		1.11	28.24	3.13	79.50	1.03	26.9	0.96	24.31	0.13	3.18	0.31	7.92
18	25	27/18	1.22	30.94	2.13	54.10	1.03	26.9	1.33	33.83	0.35	8.89	0.63	15.88
	26		1.22	30.94	3.13	79.50	1.03	26.9	1.33	33.83	0.35	8.89	0.63	15.88
	27		1.22	30.94	2.13	54.10	1.06	26.90	1.55	39.40	0.50	12.70	0.75	19.05
	28		1.22	30.94	3.13	79.50	1.06	26.90	1.55	39.40	0.50	12.70	0.75	19.05
	29*		1.22	30.94	2.88	73.15	1.16	29.36	1.77	44.96	0.63	15.88	0.94	23.80
	30*		1.22	30.94	3.88	98.55	1.16	29.36	1.77	44.96	0.63	15.88	0.94	23.80
	120		1.22	30.94	2.13	54.10	1.03	26.9	0.96	24.31	0.13	3.18	0.31	7.92
	121		1.22	30.94	3.13	79.50	1.03	26.9	0.96	24.31	0.13	3.18	0.31	7.92
	122		1.22	30.94	2.13	54.10	1.03	26.9	1.15	29.8	0.25	6.35	0.44	11.10
	123		1.22	30.94	3.13	79.50	1.03	26.9	1.15	29.8	0.25	6.35	0.44	11.10
20	31	37/20	1.35	34.16	3.13	79.50	1.03	26.9	1.33	33.83	0.35	8.89	0.63	15.88
	32		1.35	34.16	4.13	104.90	1.03	26.9	1.33	33.83	0.35	8.89	0.63	15.88
	33		1.35	34.16	3.13	79.50	1.06	26.90	1.55	39.40	0.50	12.70	0.75	19.05
	34		1.35	34.16	4.13	104.90	1.06	26.90	1.55	39.40	0.50	12.70	0.75	19.05
	35*		1.35	34.16	3.88	98.55	1.16	29.36	1.77	44.96	0.63	15.88	0.94	23.80
	36*		1.35	34.16	4.88	123.95	1.16	29.36	1.77	44.96	0.63	15.88	0.94	23.80
	37*		1.35	34.16	3.88	98.55	1.38	34.93	2.11	53.67	0.88	22.23	1.25	31.75
	38*		1.35	34.16	4.88	123.95	1.38	34.93	2.11	53.67	0.88	22.23	1.25	31.75
	124		1.35	34.16	3.13	79.50	1.03	26.9	1.15	29.8	0.25	6.35	0.44	11.10
	125		1.35	34.16	4.13	104.90	1.03	26.9	1.15	29.8	0.25	6.35	0.44	11.10
	140		1.35	34.16	3.13	79.50	1.16	29.36	1.77	44.96	0.63	15.88	0.90	22.96
141	1.35	34.16	4.13	104.90	1.16	29.36	1.77	44.96	0.63	15.88	0.90	22.96		
22	39	22	1.47	37.29	3.13	79.50	1.03	26.9	1.33	33.83	0.35	8.89	0.63	15.88
	40		1.47	37.29	4.13	104.90	1.03	26.9	1.33	33.83	0.35	8.89	0.63	15.88
	41		1.47	37.29	3.13	79.50	1.06	26.90	1.55	39.40	0.50	12.70	0.75	19.05
	42		1.47	37.29	4.13	104.90	1.06	26.90	1.55	39.40	0.50	12.70	0.75	19.05
	43		1.47	37.29	3.13	79.50	1.16	29.36	1.77	44.96	0.63	15.88	0.94	23.80
	44		1.47	37.29	4.13	104.90	1.16	29.36	1.77	44.96	0.63	15.88	0.94	23.80
	45*		1.47	37.29	3.88	98.55	1.38	34.93	2.11	53.67	0.88	22.23	1.25	31.75
	46*		1.47	37.29	4.88	123.95	1.38	34.93	2.11	53.67	0.88	22.23	1.25	31.75
	126		1.47	37.29	3.13	79.50	1.03	26.9	0.96	24.31	0.13	3.18	0.31	7.92
	127		1.47	37.29	4.13	104.90	1.03	26.9	0.96	24.31	0.13	3.18	0.31	7.92
	128		1.47	37.29	3.13	79.50	1.03	26.9	1.15	29.8	0.25	6.35	0.44	11.10
	129		1.47	37.29	4.13	104.90	1.03	26.9	1.15	29.8	0.25	6.35	0.44	11.10
	142		1.47	37.29	3.13	79.50	1.38	34.93	2.11	53.67	0.88	22.23	1.03	26.14
	143		1.47	37.29	4.13	104.90	1.38	34.93	2.11	53.67	0.88	22.23	1.03	26.14
24	47	24	1.59	40.46	3.13	79.50	1.06	26.90	1.55	39.40	0.50	12.70	0.75	19.05
	48		1.59	40.46	4.13	104.90	1.06	26.90	1.55	39.40	0.50	12.70	0.75	19.05
	49		1.59	40.46	3.13	79.50	1.16	29.36	1.77	44.96	0.63	15.88	0.81	20.62
	50		1.59	40.46	4.13	104.90	1.16	29.36	1.77	44.96	0.63	15.88	0.81	20.62
	51		1.59	40.46	3.13	79.50	1.16	29.36	1.77	44.96	0.63	15.88	0.94	23.80
	52		1.59	40.46	4.13	104.90	1.16	29.36	1.77	44.96	0.63	15.88	0.94	23.80
	53*		1.59	40.46	3.88	98.55	1.38	34.93	2.11	53.67	0.88	22.23	1.25	31.75
	54*		1.59	40.46	4.88	123.95	1.38	34.93	2.11	53.67	0.88	22.23	1.25	31.75
	130		1.59	40.46	3.13	79.50	1.03	26.9	1.33	33.83	0.35	8.89	0.63	15.88
	131		1.59	40.46	4.13	104.90	1.03	26.9	1.33	33.83	0.35	8.89	0.63	15.88
	144		1.59	40.46	3.13	79.50	1.38	34.93	2.11	53.67	0.88	22.23	1.14	29.06
145	1.59	40.46	4.13	104.90	1.38	34.93	2.11	53.67	0.88	22.23	1.14	29.06		
28	55	28	1.97	50.01	3.13	79.50	1.06	26.90	1.55	39.40	0.50	12.70	0.75	19.05
	56		1.97	50.01	4.13	104.90	1.06	26.90	1.55	39.40	0.50	12.70	0.75	19.05
	57		1.97	50.01	3.13	79.50	1.16	29.36	1.77	44.96	0.63	15.88	0.94	23.80
	58		1.97	50.01	4.13	104.90	1.16	29.36	1.77	44.96	0.63	15.88	0.94	23.80

Straight, Spin Coupling

Connector Group J

26482 Series II; 5015 (MS345X); 83723 Series III

TABLE A														
Shell Size	Dash Number	Shell Size Connector	A Dia. Max.		B Max.		C Ref. Max.		G Max.		Cable Range			
											Max.		Min.	
			inch	mm	inch	mm	inch	mm	inch	mm	inch	mm	inch	mm
28, cont.	59	28	1.97	50.01	3.13	79.50	1.38	34.93	2.11	53.67	0.88	22.23	1.25	31.75
	60		1.97	50.01	4.13	104.90	1.38	34.93	2.11	53.67	0.88	22.23	1.25	31.75
	61		1.97	50.01	3.13	79.50	1.50	38.10	2.36	60.02	1.00	25.40	1.38	34.93
	62		1.97	50.01	4.13	104.90	1.50	38.10	2.36	60.02	1.00	25.40	1.38	34.93
32	63	32	2.22	56.36	3.13	79.50	1.16	29.36	1.77	44.96	0.63	15.88	0.94	23.80
	64		2.22	56.36	4.13	104.90	1.16	29.36	1.77	44.96	0.63	15.88	0.94	23.80
	65		2.22	56.36	3.13	79.50	1.38	34.93	2.11	53.67	0.88	22.23	1.25	31.75
	66		2.22	56.36	4.13	104.90	1.38	34.93	2.11	53.67	0.88	22.23	1.25	31.75
	67		2.22	56.36	3.13	79.50	1.50	38.10	2.36	60.02	1.00	25.40	1.38	34.93
	68		2.22	56.36	4.13	104.90	1.50	38.10	2.36	60.02	1.00	25.40	1.38	34.93
	69		2.22	56.36	3.13	79.50	1.78	45.24	2.77	70.36	1.25	31.75	1.63	41.28
	70		2.22	56.36	4.13	104.90	1.78	45.24	2.77	70.36	1.25	31.75	1.63	41.28
36	71	36	2.47	62.71	4.13	104.90	1.38	34.93	2.11	53.67	0.88	22.23	1.25	31.75
	72		2.47	62.71	5.13	130.30	1.38	34.93	2.11	53.67	0.88	22.23	1.25	31.75
	73		2.47	62.71	4.13	104.90	1.50	38.10	2.36	60.02	1.00	25.40	1.38	34.93
	74		2.47	62.71	5.13	130.30	1.50	38.10	2.36	60.02	1.00	25.40	1.38	34.93
	75		2.47	62.71	4.13	104.90	1.78	45.24	2.77	70.36	1.25	31.75	1.63	41.28
	76		2.47	62.71	5.13	130.30	1.78	45.24	2.77	70.36	1.25	31.75	1.63	41.28
	77*		2.47	62.71	5.01	127.25	1.83	46.48	3.02	76.71	1.44	36.50	1.88	47.63
	78*		2.47	62.71	6.01	152.65	1.83	46.48	3.02	76.71	1.44	36.50	1.88	47.63
	132		2.47	62.71	4.13	104.90	1.06	26.90	1.55	39.40	0.50	12.70	0.75	19.05
	133		2.47	62.71	5.13	130.30	1.06	26.90	1.55	39.40	0.50	12.70	0.75	19.05
	146		2.47	62.71	4.13	104.90	1.83	46.48	3.02	76.71	1.44	36.50	1.84	46.74
	147		2.47	62.71	5.13	130.30	1.83	46.48	3.02	76.71	1.44	36.50	1.84	46.74
	148		2.47	62.71	4.13	104.90	1.16	29.36	1.77	44.96	0.63	15.88	0.94	23.80
	149		2.47	62.71	5.13	130.30	1.16	29.36	1.77	44.96	0.63	15.88	0.94	23.80
40	79	40	2.72	69.06	4.13	104.90	1.38	34.93	2.11	53.67	0.88	22.23	1.25	31.75
	80		2.72	69.06	5.13	130.30	1.38	34.93	2.11	53.67	0.88	22.23	1.25	31.75
	81		2.72	69.06	4.13	104.90	1.50	38.10	2.36	60.02	1.00	25.40	1.38	34.93
	82		2.72	69.06	5.13	130.30	1.50	38.10	2.36	60.02	1.00	25.40	1.38	34.93
	83		2.72	69.06	4.13	104.90	1.78	45.24	2.77	70.36	1.25	31.75	1.63	41.28
	84		2.72	69.06	5.13	130.30	1.78	45.24	2.77	70.36	1.25	31.75	1.63	41.28
	85		2.72	69.06	4.13	104.90	1.83	46.48	3.02	76.71	1.44	36.50	1.88	47.63
	86		2.72	69.06	5.13	130.30	1.83	46.48	3.02	76.71	1.44	36.50	1.88	47.63
	134		2.72	69.06	4.13	104.90	1.06	26.90	1.55	39.40	0.50	12.70	0.75	19.05
	135		2.72	69.06	5.13	130.30	1.06	26.90	1.55	39.40	0.50	12.70	0.75	19.05
	156		2.72	69.06	4.13	104.90	1.16	29.36	1.77	44.96	0.63	15.88	0.94	23.80
	157		2.72	69.06	5.13	130.30	1.16	29.36	1.77	44.96	0.63	15.88	0.94	23.80
44	87	44	2.97	75.41	4.13	104.90	1.38	34.93	2.11	53.67	0.88	22.23	1.25	31.75
	88		2.97	75.41	5.13	130.30	1.38	34.93	2.11	53.67	0.88	22.23	1.25	31.75
	89		2.97	75.41	4.13	104.90	1.50	38.10	2.36	60.02	1.00	25.40	1.38	34.93
	90		2.97	75.41	5.13	130.30	1.50	38.10	2.36	60.02	1.00	25.40	1.38	34.93
	91		2.97	75.41	4.13	104.90	1.78	45.24	2.77	70.36	1.25	31.75	1.63	41.28
	92		2.97	75.41	5.13	130.30	1.78	45.24	2.77	70.36	1.25	31.75	1.63	41.28
	93		2.97	75.41	4.13	104.90	1.83	46.48	3.02	76.71	1.44	36.50	1.88	47.63
	94		2.97	75.41	5.13	130.30	1.83	46.48	3.02	76.71	1.44	36.50	1.88	47.63
	154		2.97	75.41	4.13	104.90	1.16	29.36	1.77	44.96	0.63	15.88	0.94	23.80
	155		2.97	75.41	5.13	130.30	1.16	29.36	1.77	44.96	0.63	15.88	0.94	23.80
48	95	48	3.22	81.76	4.13	104.90	1.38	34.93	2.11	53.67	0.88	22.23	1.25	31.75
	96		3.22	81.76	5.13	130.30	1.38	34.93	2.11	53.67	0.88	22.23	1.25	31.75
	97		3.22	81.76	4.13	104.90	1.50	38.10	2.36	60.02	1.00	25.40	1.38	34.93
	98		3.22	81.76	5.13	130.30	1.50	38.10	2.36	60.02	1.00	25.40	1.38	34.93
	99		3.22	81.76	4.13	104.90	1.78	45.24	2.77	70.36	1.25	31.75	1.63	41.28
	100		3.22	81.76	5.13	130.30	1.78	45.24	2.77	70.36	1.25	31.75	1.63	41.28
	101		3.22	81.76	4.13	104.90	1.83	46.48	3.02	76.71	1.44	36.50	1.88	47.63
	102		3.22	81.76	5.13	130.30	1.83	46.48	3.02	76.71	1.44	36.50	1.88	47.63

ENVIRONMENTAL EMI/RFI

90° & 45°; SPIN COUPLING

Connector Group J

26482 Series II; 5015 (MS345X); 83723 Series III

M85049	/8	-10	W
SERIES	SLASH SHEET	DASH NUMBER	FINISH
	6: 45° 8: 90°	Table A	View Table 2 Pg. XX

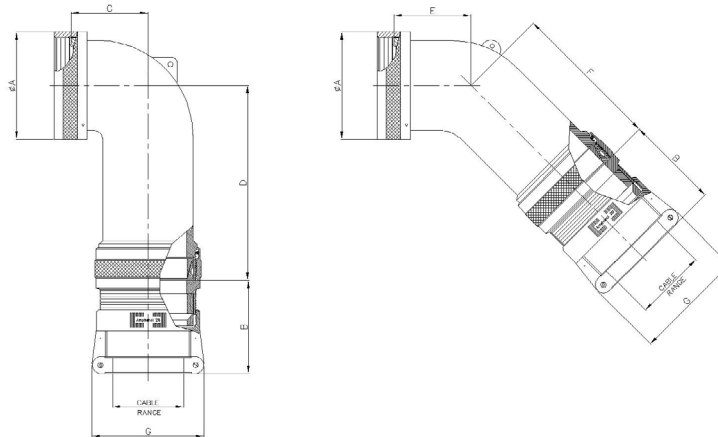


TABLE A

Shell Size Accessory	Dash Number	Shell Size Connector	A Dia. Max.		B Ref.		C Max.		D Max.		E Max.		F Max.		G Max.		Cable Range			
			inch	mm	inch	mm	inch	mm	inch	mm	inch	mm	inch	mm	inch	mm	Min. Wire	Max. Wire	inch	mm
8	3	8	0.62	15.67	1.54	39.22	0.67	17.02	1.26	32.00	0.63	16.00	1.25	31.75	0.96	24.31	0.13	3.18	0.25	6.35
10	4	10	0.73	18.64	1.54	39.22	0.76	19.30	1.98	50.29	0.69	17.53	1.92	48.77	0.96	24.31	0.13	3.18	0.31	7.92
	49*		0.73	18.64	1.54	39.22	1.52	38.61	2.00	50.80	1.50	38.10	1.98	50.29	1.15	29.8	0.25	6.35	0.44	11.10
	5		0.73	18.64	1.54	39.22	0.76	19.30	1.38	35.05	0.69	17.53	1.31	33.27	1.15	29.8	0.25	6.35	0.38	9.53
12	6	7/12	0.86	21.79	1.54	39.22	0.77	19.56	2.00	50.80	0.75	19.05	1.98	50.29	0.96	24.31	0.13	3.18	0.31	7.92
	71*		0.86	21.79	1.84	46.84	1.81	45.97	2.16	54.86	1.65	41.91	2.18	55.37	1.33	33.83	0.35	8.89	0.63	15.88
	7		0.86	21.79	1.54	39.22	0.77	19.56	2.00	50.80	0.75	19.05	1.98	50.29	1.15	29.8	0.25	6.35	0.44	11.10
	8		0.86	21.79	1.84	46.84	0.77	19.56	1.40	35.56	0.75	19.05	1.98	50.29	1.33	33.83	0.35	8.89	0.50	12.70
14	9	12/14	0.98	24.99	1.54	39.22	0.87	22.10	2.07	52.58	0.81	20.57	2.07	52.58	1.15	29.8	0.25	6.35	0.44	11.10
	10		0.98	24.99	1.84	46.84	0.87	22.10	1.72	43.69	0.81	20.57	1.72	43.69	1.33	33.83	0.35	8.89	0.58	14.61
	50*		0.98	24.99	1.92	48.67	1.89	48.01	2.33	59.18	1.84	46.74	2.37	60.20	1.55	39.40	0.50	12.70	0.75	19.05
	74		0.98	24.99	1.54	39.22	0.87	22.10	2.07	52.58	0.81	20.57	2.07	52.58	0.96	24.31	0.13	3.18	0.31	7.92
16	11	19/16	1.11	28.24	1.54	39.22	1.05	26.67	2.16	54.86	0.91	23.11	2.18	55.37	1.15	29.8	0.25	6.35	0.44	11.10
	12		1.11	28.24	1.92	48.67	1.05	26.67	1.81	45.97	0.91	23.11	1.82	46.23	1.55	39.40	0.50	12.70	0.70	17.78
	40		1.11	28.24	1.84	46.84	1.05	26.67	2.16	54.86	0.91	23.11	2.18	55.37	1.33	33.83	0.35	8.89	0.63	15.88
	51*		1.11	28.24	2.00	50.80	2.04	51.82	2.44	61.98	1.94	49.28	2.52	64.01	1.77	44.96	0.63	15.88	0.94	23.80
	75		1.11	28.24	1.54	39.22	1.05	26.67	2.16	54.86	0.91	23.11	2.18	55.37	0.96	24.31	0.13	3.18	0.31	7.92

ENVIRONMENTAL EMI/RFI

90° & 45°; SPIN COUPLING

Connector Group J

26482 Series II; 5015 (MS345X); 83723 Series III

TABLE A																				
Shell Size	Dash Number	Shell Size Connector	A Dia. Max.		B Ref.		C Max.		D Max.		E Max.		F Max.		G Max.		Cable Range			
			inch	mm	inch	mm	inch	mm	inch	mm	inch	mm	inch	mm	inch	mm	inch	mm	inch	mm
																			Min. Wire	
18	13	27/18	1.22	30.94	1.84	46.84	1.14	28.96	2.33	59.18	1.9	27.69	2.37	60.20	1.33	33.83	0.35	8.89	0.63	15.88
	14		1.22	30.94	2.00	50.80	1.14	28.96	1.98	50.29	1.9	27.69	2.00	50.80	1.77	44.96	0.63	15.88	0.78	19.79
	41		1.22	30.94	1.54	39.22	1.14	28.96	2.33	59.18	1.9	27.69	2.37	60.20	0.96	24.31	0.13	3.18	0.31	7.92
	42		1.22	30.94	1.54	39.22	1.14	28.96	2.33	59.18	1.9	27.69	2.37	60.20	1.15	29.8	0.25	6.35	0.44	11.10
	52		1.22	30.94	1.92	48.67	1.14	28.96	2.33	59.18	1.9	27.69	2.37	60.20	1.55	39.40	0.50	12.70	0.75	19.05
	72*		1.22	30.94	2.00	50.80	2.05	52.07	2.44	61.98	1.94	49.28	2.52	64.01	1.77	44.96	0.63	15.88	0.94	23.80
20	15	37/20	1.35	34.16	1.84	46.84	1.14	28.96	2.33	59.18	1.9	27.69	2.37	60.20	1.33	33.83	0.35	8.89	0.63	15.88
	16		1.35	34.16	2.00	50.80	1.14	28.96	1.98	50.29	1.9	27.69	2.00	50.80	1.77	44.96	0.63	15.88	0.90	22.96
	43		1.35	34.16	1.54	39.22	1.14	28.96	2.33	59.18	1.9	27.69	2.37	60.20	1.15	29.8	0.25	6.35	0.44	11.10
	54		1.35	34.16	1.92	48.67	1.14	28.96	2.33	59.18	1.9	27.69	2.37	60.20	1.55	39.40	0.50	12.70	0.75	19.05
	55		1.35	34.16	2.23	56.64	2.14	54.36	2.61	66.29	2.06	52.32	2.57	65.28	2.11	53.67	0.88	22.23	1.25	31.75
22	17	22	1.47	37.29	1.92	48.72	1.29	32.77	2.44	61.98	1.19	30.23	2.52	64.01	1.55	39.40	0.50	12.70	0.75	19.05
	18		1.47	37.29	2.23	56.64	1.29	32.77	2.9	53.9	1.19	30.23	2.16	54.86	2.11	53.67	0.88	22.23	1.03	26.14
	44		1.47	37.29	1.54	39.22	1.29	32.77	2.44	61.98	1.19	30.23	2.52	64.01	0.96	24.31	0.13	3.18	0.31	7.92
	45		1.47	37.29	1.54	39.22	1.29	32.77	2.44	61.98	1.19	30.23	2.52	64.01	1.15	29.8	0.25	6.35	0.44	11.10
	56		1.47	37.29	1.84	46.84	1.29	32.77	2.44	61.98	1.19	30.23	2.52	64.01	1.33	33.83	0.35	8.89	0.63	15.88
	57		1.47	37.29	2.00	50.80	1.29	32.77	2.44	61.98	1.19	30.23	2.52	64.01	1.77	44.96	0.63	15.88	0.94	23.80
58*	1.47	37.29	2.23	56.64	2.14	54.36	2.61	66.29	2.06	52.32	2.57	65.28	2.11	53.67	0.88	22.23	1.25	31.75		
24	19	24	1.59	40.46	1.92	48.67	1.29	32.77	2.44	61.98	1.19	30.23	2.52	64.01	1.55	39.40	0.50	12.70	0.75	19.05
	20		1.59	40.46	2.23	56.64	1.29	32.77	2.9	53.9	1.19	30.23	2.16	54.86	2.11	53.67	0.88	22.23	1.14	29.06
	46		1.59	40.46	1.84	46.84	1.29	32.77	2.44	61.98	1.19	30.23	2.52	64.01	1.33	33.83	0.35	8.89	0.63	15.88
	59		1.59	40.46	2.00	50.80	1.29	32.77	2.44	61.98	1.19	30.23	2.52	64.01	1.77	44.96	0.63	15.88	0.94	23.80
	73*		1.59	40.46	2.23	56.64	2.15	54.61	2.61	66.29	2.06	52.32	2.57	65.28	2.11	53.67	0.88	22.23	1.25	31.75
28	21	28	1.97	50.01	2.00	50.80	1.39	35.31	2.61	66.29	1.31	33.27	2.57	65.28	1.77	44.96	0.63	15.88	0.94	23.80
	22		1.97	50.01	2.02	51.41	1.39	35.31	2.26	57.40	1.31	33.27	2.22	56.39	2.36	60.02	1.00	25.40	1.38	34.93
	60		1.97	50.01	1.92	48.67	1.39	35.31	2.61	66.29	1.31	33.27	2.57	65.28	1.55	39.40	0.50	12.70	0.75	19.05
	61		1.97	50.01	2.23	56.64	1.39	35.31	2.61	66.29	1.31	33.27	2.57	65.28	2.11	53.67	0.88	22.23	1.25	31.75
32	23	32	2.22	56.36	2.00	50.80	1.74	44.20	2.86	72.64	1.38	35.05	2.67	67.82	1.77	44.96	0.63	15.88	0.94	23.80
	24		2.22	56.36	2.23	56.64	1.74	44.20	2.86	72.64	1.38	35.05	2.67	67.82	2.11	53.67	0.88	22.23	1.25	31.75
	25		2.22	56.36	2.55	64.77	1.74	44.20	2.51	63.75	1.38	35.05	2.32	58.93	2.77	70.36	1.25	31.75	1.63	41.28
	62		2.22	56.36	2.02	51.41	1.74	44.20	2.86	72.64	1.38	35.05	2.67	67.82	2.36	60.02	1.00	25.40	1.38	34.93
36	26	36	2.47	62.71	2.00	50.80	1.94	49.28	2.83	71.88	1.41	35.81	2.76	70.10	1.77	44.96	0.63	15.88	0.94	23.80
	27		2.47	62.71	2.02	51.41	1.94	49.28	2.83	71.88	1.41	35.81	2.76	70.10	2.36	60.02	1.00	25.40	1.38	34.93
	28		2.47	62.71	2.60	66.04	1.94	49.28	2.48	62.99	1.41	35.81	2.41	61.21	3.02	76.71	1.44	36.50	1.88	47.63
	47		2.47	62.71	1.92	48.67	1.94	49.28	2.83	71.88	1.41	35.81	2.76	70.10	1.55	39.40	0.50	12.70	0.75	19.05
	63		2.47	62.71	2.23	56.64	1.94	49.28	2.83	71.88	1.41	35.81	2.76	70.10	2.11	53.67	0.88	22.23	1.25	31.75
	64		2.47	62.71	2.55	64.77	1.94	49.28	2.83	71.88	1.41	35.81	2.76	70.10	2.77	70.36	1.25	31.75	1.63	41.28
40	29	40	2.72	69.06	2.00	50.80	2.69	68.33	2.83	71.88	2.16	54.86	2.76	70.10	1.77	44.96	0.63	15.88	0.94	23.80
	30		2.72	69.06	2.02	51.41	2.69	68.33	2.83	71.88	2.16	54.86	2.76	70.10	2.36	60.02	1.00	25.40	1.38	34.93
	31		2.72	69.06	2.60	66.04	2.69	68.33	2.48	62.99	2.16	54.86	2.41	61.21	3.02	76.71	1.44	36.50	1.88	47.63
	48		2.72	69.06	1.92	48.67	1.94	49.28	2.83	71.88	2.16	54.86	2.76	70.10	1.55	39.40	0.50	12.70	0.75	19.05
	65		2.72	69.06	2.23	56.64	2.69	68.33	2.83	71.88	2.16	54.86	2.76	70.10	2.11	53.67	0.88	22.23	1.25	31.75
	66		2.72	69.06	2.55	64.77	2.69	68.33	2.83	71.88	2.16	54.86	2.76	70.10	2.77	70.36	1.25	31.75	1.63	41.28
44	32	44	2.97	75.41	2.00	50.80	2.69	68.33	2.83	71.88	2.16	54.86	2.76	70.10	1.77	44.96	0.63	15.88	0.94	23.80
	33		2.97	75.41	2.02	51.41	2.69	68.33	2.83	71.88	2.16	54.86	2.76	70.10	2.36	60.02	1.00	25.40	1.38	34.93
	34		2.97	75.41	2.60	66.04	2.69	68.33	2.48	62.99	2.16	54.86	2.41	61.21	3.02	76.71	1.44	36.50	1.88	47.63
	67		2.97	75.41	2.23	56.64	2.69	68.33	2.83	71.88	2.16	54.86	2.76	70.10	2.11	53.67	0.88	22.23	1.25	31.75
	68		2.97	75.41	2.55	64.77	2.69	68.33	2.83	71.88	2.16	54.86	2.76	70.10	2.77	70.36	1.25	31.75	1.63	41.28
48	35	48	3.22	81.76	2.00	50.80	2.69	68.33	2.83	71.88	2.16	54.86	2.76	70.10	1.77	44.96	0.63	15.88	0.94	23.80
	36		3.22	81.76	2.02	51.41	2.69	68.33	2.83	71.88	2.16	54.86	2.76	70.10	2.36	60.02	1.00	25.40	1.38	34.93
	37		3.22	81.76	2.60	66.04	2.69	68.33	2.48	62.99	2.16	54.86	2.41	61.21	3.02	76.71	1.44	36.50	1.88	47.63
	69		3.22	81.76	2.23	56.64	2.69	68.33	2.83	71.88	2.16	54.86	2.76	70.10	2.11	53.67	0.88	22.23	1.25	31.75
	70		3.22	81.76	2.55	64.77	2.69	68.33	2.83	71.88	2.16	54.86	2.76	70.10	2.77	70.36	1.25	31.75	1.63	41.28

ENVIRONMENTAL EMI/RFI

STRAIGHT; SPIN COUPLING

Connector Group J

26482 Series II; 5015 (MS345X); 83723 Series III

M85049	/10	-10	W
SERIES	SLASH SHEET	DASH NUMBER	FINISH
	10: Straight	Table A	View Table 2 Pg. XX

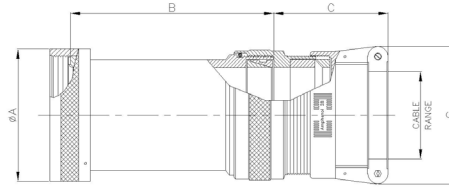


TABLE A

Shell Size Accessory	Dash Number	Shell Size Connector	A Dia. Max.		B Dia. Max.		C Max.		G Max.		Cable Range			
			inch	mm	inch	mm	inch	mm	inch	mm	Min. Wire		Max. Wire	
											inch	mm	inch	mm
08	05	8	0.62	15.67	2.13	54.10	1.54	39.22	0.96	24.31	0.13	3.18	0.25	6.35
	06		0.62	15.67	3.13	79.50	1.54	39.22	0.96	24.31	0.13	3.18	0.25	6.35
	07*		0.62	15.67	2.88	73.15	1.54	39.22	1.15	29.8	0.25	6.35	0.44	11.10
	08*		0.62	15.67	3.88	98.55	1.54	39.22	1.15	29.8	0.25	6.35	0.44	11.10
10	09	10	0.73	18.64	2.13	54.10	1.54	39.22	0.96	24.31	0.13	3.18	0.31	7.92
	10		0.73	18.64	3.13	79.50	1.54	39.22	0.96	24.31	0.13	3.18	0.31	7.92
	11*		0.73	18.64	2.88	73.15	1.54	39.22	1.15	29.8	0.25	6.35	0.44	11.10
	12*		0.73	18.64	3.88	98.55	1.54	39.22	1.15	29.8	0.25	6.35	0.44	11.10
	136		0.73	18.64	2.13	54.10	1.54	39.22	1.15	29.8	0.25	6.35	0.38	9.53
	137		0.73	18.64	3.13	79.50	1.54	39.22	1.15	29.8	0.25	6.35	0.38	9.53
12	13	7/12	0.86	21.79	2.13	54.10	1.54	39.22	1.15	29.8	0.25	6.35	0.44	11.10
	14		0.86	21.79	3.13	79.50	1.54	39.22	1.15	29.8	0.25	6.35	0.44	11.10
	15*		0.86	21.79	2.88	73.15	1.84	46.84	1.33	33.83	0.35	8.89	0.63	15.88
	16*		0.86	21.79	3.88	98.55	1.84	46.84	1.33	33.83	0.35	8.89	0.63	15.88
	111		0.86	21.79	2.13	54.10	1.84	46.84	1.33	33.83	0.35	8.89	0.50	12.70
	114		0.86	21.79	2.13	54.10	1.54	39.22	0.96	24.31	0.13	3.18	0.31	7.92
	115		0.86	21.79	3.13	79.50	1.54	39.22	0.96	24.31	0.13	3.18	0.31	7.92
	138		0.86	21.79	2.13	54.10	1.84	46.84	1.33	33.83	0.35	8.89	0.50	12.70
14	139	12/14	0.86	21.79	3.13	79.50	1.84	46.84	1.33	33.83	0.35	8.89	0.50	12.70
	17		0.98	24.99	2.13	54.10	1.84	46.84	1.33	33.83	0.35	8.89	0.58	14.61
	18		0.98	24.99	3.13	79.50	1.84	46.84	1.33	33.83	0.35	8.89	0.58	14.61
	19*		0.98	24.99	2.88	73.15	1.92	48.67	1.55	39.40	0.50	12.70	0.75	19.05
	20*		0.98	24.99	3.88	98.55	1.92	48.67	1.55	39.40	0.50	12.70	0.75	19.05
	116		0.98	24.99	2.13	54.10	1.54	39.22	1.15	29.8	0.25	6.35	0.44	11.10
	117		0.98	24.99	3.13	79.50	1.54	39.22	1.15	29.8	0.25	6.35	0.44	11.10
	150		0.98	24.99	2.13	54.10	1.54	39.22	0.96	24.31	0.13	3.18	0.31	7.92
	151		0.98	24.99	3.13	79.50	1.54	39.22	0.96	24.31	0.13	3.18	0.31	7.92
16	21	19/16	1.11	28.24	2.13	54.10	1.92	48.67	1.55	39.40	0.50	12.70	0.70	17.78
	22		1.11	28.24	3.13	79.50	1.92	48.67	1.55	39.40	0.50	12.70	0.70	17.78
	23*		1.11	28.24	2.88	73.15	2.00	50.80	1.77	44.96	0.63	15.88	0.94	23.80
	24*		1.11	28.24	3.88	98.55	2.00	50.80	1.77	44.96	0.63	15.88	0.94	23.80
	112		1.11	28.24	2.13	54.10	1.54	39.22	1.15	29.8	0.25	6.35	0.44	11.10
	113		1.11	28.24	3.13	79.50	1.54	39.22	1.15	29.8	0.25	6.35	0.44	11.10
	118		1.11	28.24	2.13	54.10	1.84	46.84	1.33	33.83	0.35	8.89	0.63	15.88
	119		1.11	28.24	3.13	79.50	1.84	46.84	1.33	33.83	0.35	8.89	0.63	15.88
	152		1.11	28.24	2.13	54.10	1.54	39.22	0.96	24.31	0.13	3.18	0.31	7.92
	153		1.11	28.24	3.13	79.50	1.54	39.22	0.96	24.31	0.13	3.18	0.31	7.92

ENVIRONMENTAL EMI/RFI

STRAIGHT; SPIN COUPLING

Connector Group J

26482 Series II; 5015 (MS345X); 83723 Series III

TABLE A														
Shell Size Accessory	Dash Number	Shell Size Connector	A Dia. Max.		B Dia. Max.		C Max.		G Max.		Cable Range			
											Min. Wire		Max. Wire	
			inch	mm	inch	mm	inch	mm	inch	mm	inch	mm	inch	mm
18	25	27/18	1.22	30.94	2.13	54.10	1.84	46.84	1.33	33.83	0.35	8.89	0.63	15.88
	26		1.22	30.94	3.13	79.50	1.84	46.84	1.33	33.83	0.35	8.89	0.63	15.88
	27		1.22	30.94	2.13	54.10	1.92	48.67	1.55	39.40	0.50	12.70	0.75	19.05
	28		1.22	30.94	3.13	79.50	1.92	48.67	1.55	39.40	0.50	12.70	0.75	19.05
	29*		1.22	30.94	2.88	73.15	2.00	50.80	1.77	44.96	0.63	15.88	0.94	23.80
	30*		1.22	30.94	3.88	98.55	2.00	50.80	1.77	44.96	0.63	15.88	0.94	23.80
	120		1.22	30.94	2.13	54.10	1.54	39.22	0.96	24.31	0.13	3.18	0.31	7.92
	121		1.22	30.94	3.13	79.50	1.54	39.22	0.96	24.31	0.13	3.18	0.31	7.92
	122		1.22	30.94	2.13	54.10	1.54	39.22	1.15	29.8	0.25	6.35	0.44	11.10
	123		1.22	30.94	3.13	79.50	1.54	39.22	1.15	29.8	0.25	6.35	0.44	11.10
20	31	37/20	1.35	34.16	3.13	79.50	1.84	46.84	1.33	33.83	0.35	8.89	0.63	15.88
	32		1.35	34.16	4.13	104.90	1.84	46.84	1.33	33.83	0.35	8.89	0.63	15.88
	33		1.35	34.16	3.13	79.50	1.92	48.67	1.55	39.40	0.50	12.70	0.75	19.05
	34		1.35	34.16	4.13	104.90	1.92	48.67	1.55	39.40	0.50	12.70	0.75	19.05
	35*		1.35	34.16	3.88	98.55	2.00	50.80	1.77	44.96	0.63	15.88	0.94	23.80
	36*		1.35	34.16	4.88	123.95	2.00	50.80	1.77	44.96	0.63	15.88	0.94	23.80
	37*		1.35	34.16	3.88	98.55	2.23	56.64	2.11	53.67	0.88	22.23	1.25	31.75
	38*		1.35	34.16	4.88	123.95	2.23	56.64	2.11	53.67	0.88	22.23	1.25	31.75
	124		1.35	34.16	3.13	79.50	1.54	39.22	1.15	29.8	0.25	6.35	0.44	11.10
	125		1.35	34.16	4.13	104.90	1.54	39.22	1.15	29.8	0.25	6.35	0.44	11.10
	140		1.35	34.16	3.13	79.50	2.00	50.80	1.77	44.96	0.63	15.88	0.90	22.96
141	1.35	34.16	4.13	104.90	2.00	50.80	1.77	44.96	0.63	15.88	0.90	22.96		
22	39	22	1.47	37.29	3.13	79.50	1.84	46.84	1.33	33.83	0.35	8.89	0.63	15.88
	40		1.47	37.29	4.13	104.90	1.84	46.84	1.33	33.83	0.35	8.89	0.63	15.88
	41		1.47	37.29	3.13	79.50	1.92	48.67	1.55	39.40	0.50	12.70	0.75	19.05
	42		1.47	37.29	4.13	104.90	1.92	48.67	1.55	39.40	0.50	12.70	0.75	19.05
	43		1.47	37.29	3.13	79.50	2.00	50.80	1.77	44.96	0.63	15.88	0.94	23.80
	44		1.47	37.29	4.13	104.90	2.00	50.80	1.77	44.96	0.63	15.88	0.94	23.80
	45*		1.47	37.29	3.88	98.55	2.23	56.64	2.11	53.67	0.88	22.23	1.25	31.75
	46*		1.47	37.29	4.88	123.95	2.23	56.64	2.11	53.67	0.88	22.23	1.25	31.75
	126		1.47	37.29	3.13	79.50	1.54	39.22	0.96	24.31	0.13	3.18	0.31	7.92
	127		1.47	37.29	4.13	104.90	1.54	39.22	0.96	24.31	0.13	3.18	0.31	7.92
	128		1.47	37.29	3.13	79.50	1.54	39.22	1.15	29.8	0.25	6.35	0.44	11.10
	129		1.47	37.29	4.13	104.90	1.54	39.22	1.15	29.8	0.25	6.35	0.44	11.10
	142		1.47	37.29	3.13	79.50	2.23	56.64	2.11	53.67	0.88	22.23	1.03	26.14
	143		1.47	37.29	4.13	104.90	2.23	56.64	2.11	53.67	0.88	22.23	1.03	26.14
24	47	24	1.59	40.46	3.13	79.50	1.92	48.67	1.55	39.40	0.50	12.70	0.75	19.05
	48		1.59	40.46	4.13	104.90	1.92	48.67	1.55	39.40	0.50	12.70	0.75	19.05
	49		1.59	40.46	3.13	79.50	2.00	50.80	1.77	44.96	0.63	15.88	0.81	20.62
	50		1.59	40.46	4.13	104.90	2.00	50.80	1.77	44.96	0.63	15.88	0.81	20.62
	51		1.59	40.46	3.13	79.50	2.00	50.80	1.77	44.96	0.63	15.88	0.94	23.80
	52		1.59	40.46	4.13	104.90	2.00	50.80	1.77	44.96	0.63	15.88	0.94	23.80
	53*		1.59	40.46	3.88	98.55	2.23	56.64	2.11	53.67	0.88	22.23	1.25	31.75
	54*		1.59	40.46	4.88	123.95	2.23	56.64	2.11	53.67	0.88	22.23	1.25	31.75
	130		1.59	40.46	3.13	79.50	1.84	46.84	1.33	33.83	0.35	8.89	0.63	15.88
	131		1.59	40.46	4.13	104.90	1.84	46.84	1.33	33.83	0.35	8.89	0.63	15.88
	144		1.59	40.46	3.13	79.50	2.23	56.64	2.11	53.67	0.88	22.23	1.14	29.06
	145		1.59	40.46	4.13	104.90	2.23	56.64	2.11	53.67	0.88	22.23	1.14	29.06
	28		55	28	1.97	50.01	3.13	79.50	1.92	48.67	1.55	39.40	0.50	12.70
56		1.97	50.01		4.13	104.90	1.92	48.67	1.55	39.40	0.50	12.70	0.75	19.05
57		1.97	50.01		3.13	79.50	2.00	50.80	1.77	44.96	0.63	15.88	0.94	23.80
58		1.97	50.01		4.13	104.90	2.00	50.80	1.77	44.96	0.63	15.88	0.94	23.80
59		1.97	50.01		3.13	79.50	2.23	56.64	2.11	53.67	0.88	22.23	1.25	31.75
60		1.97	50.01		4.13	104.90	2.23	56.64	2.11	53.67	0.88	22.23	1.25	31.75
61		1.97	50.01		3.13	79.50	2.02	51.41	23.63	600.20	1.00	25.40	1.38	34.93
62		1.97	50.01		4.13	104.90	2.02	51.41	2.36	60.02	1.00	25.40	1.38	34.93

ENVIRONMENTAL EMI/RFI

STRAIGHT; SPIN COUPLING

Connector Group J

26482 Series II; 5015 (MS345X); 83723 Series III

TABLE A														
Shell Size Accessory	Dash Number	Shell Size Connector	A Dia. Max.		B Dia. Max.		C Max.		G Max.		Cable Range			
											Accessory		Max. Wire	
			inch	mm	inch	mm	inch	mm	inch	mm	inch	mm	inch	mm
32	63	32	2.22	56.36	3.13	79.50	2.00	50.80	1.77	44.96	0.63	15.88	0.94	23.80
	64		2.22	56.36	4.13	104.90	2.00	50.80	1.77	44.96	0.63	15.88	0.94	23.80
	65		2.22	56.36	3.13	79.50	2.23	56.64	2.11	53.67	0.88	22.23	1.25	31.75
	66		2.22	56.36	4.13	104.90	2.23	56.64	2.11	53.67	0.88	22.23	1.25	31.75
	67		2.22	56.36	3.13	79.50	2.02	51.41	2.36	60.02	1.00	25.40	1.38	34.93
	68		2.22	56.36	4.13	104.90	2.02	51.41	2.36	60.02	1.00	25.40	1.38	34.93
	69		2.22	56.36	3.13	79.50	2.55	64.77	2.77	70.36	1.25	31.75	1.63	41.28
36	70	36	2.22	56.36	4.13	104.90	2.55	64.77	2.77	70.36	1.25	31.75	1.63	41.28
	71		2.47	62.71	4.13	104.90	2.23	56.64	2.11	53.67	0.88	22.23	1.25	31.75
	72		2.47	62.71	5.13	130.30	2.23	56.64	2.11	53.67	0.88	22.23	1.25	31.75
	73		2.47	62.71	4.13	104.90	2.02	51.41	2.36	60.02	1.00	25.40	1.38	34.93
	74		2.47	62.71	5.13	130.30	2.02	51.41	2.36	60.02	1.00	25.40	1.38	34.93
	75		2.47	62.71	4.13	104.90	2.55	64.77	2.77	70.36	1.25	31.75	1.63	41.28
	76		2.47	62.71	5.13	130.30	2.55	64.77	2.77	70.36	1.25	31.75	1.63	41.28
	77*		2.47	62.71	5.01	127.25	2.60	66.04	3.02	76.71	1.44	36.50	1.88	47.63
	78*		2.47	62.71	6.01	152.65	2.60	66.04	3.02	76.71	1.44	36.50	1.88	47.63
	132		2.47	62.71	4.13	104.90	1.92	48.67	1.55	39.40	0.50	12.70	0.75	19.05
	133		2.47	62.71	5.13	130.30	1.92	48.67	1.55	39.40	0.50	12.70	0.75	19.05
	146		2.47	62.71	4.13	104.90	2.60	66.04	3.02	76.71	1.44	36.50	1.84	46.74
40	79	40	2.72	69.06	4.13	104.90	2.23	56.64	2.11	53.67	0.88	22.23	1.25	31.75
	80		2.72	69.06	5.13	130.30	2.23	56.64	2.11	53.67	0.88	22.23	1.25	31.75
	81		2.72	69.06	4.13	104.90	2.02	51.41	2.36	60.02	1.00	25.40	1.38	34.93
	82		2.72	69.06	5.13	130.30	2.02	51.41	2.36	60.02	1.00	25.40	1.38	34.93
	83		2.72	69.06	4.13	104.90	2.55	64.77	2.77	70.36	1.25	31.75	1.63	41.28
	84		2.72	69.06	5.13	130.30	2.55	64.77	2.77	70.36	1.25	31.75	1.63	41.28
	85		2.72	69.06	4.13	104.90	2.60	66.04	3.02	76.71	1.44	36.50	1.88	47.63
	86		2.72	69.06	5.13	130.30	2.60	66.04	3.02	76.71	1.44	36.50	1.88	47.63
	134		2.72	69.06	4.13	104.90	1.92	48.67	1.55	39.40	0.50	12.70	0.75	19.05
	135		2.72	69.06	5.13	130.30	1.92	48.67	1.55	39.40	0.50	12.70	0.75	19.05
44	156	44	2.72	69.06	4.13	104.90	2.00	50.80	1.77	44.96	0.63	15.88	0.94	23.80
	157		2.72	69.06	5.13	130.30	2.00	50.80	1.77	44.96	0.63	15.88	0.94	23.80
	87		2.97	75.41	4.13	104.90	2.23	56.64	2.11	53.67	0.88	22.23	1.25	31.75
	88		2.97	75.41	5.13	130.30	2.23	56.64	2.11	53.67	0.88	22.23	1.25	31.75
	89		2.97	75.41	4.13	104.90	2.02	51.41	2.36	60.02	1.00	25.40	1.38	34.93
	90		2.97	75.41	5.13	130.30	2.02	51.41	2.36	60.02	1.00	25.40	1.38	34.93
	91		2.97	75.41	4.13	104.90	2.55	64.77	2.77	70.36	1.25	31.75	1.63	41.28
	92		2.97	75.41	5.13	130.30	2.55	64.77	2.77	70.36	1.25	31.75	1.63	41.28
	93		2.97	75.41	4.13	104.90	2.60	66.04	3.02	76.71	1.44	36.50	1.88	47.63
48	94	48	2.97	75.41	5.13	130.30	2.60	66.04	3.02	76.71	1.44	36.50	1.88	47.63
	154		2.97	75.41	4.13	104.90	2.00	50.80	1.77	44.96	0.63	15.88	0.94	23.80
	155		2.97	75.41	5.13	130.30	2.00	50.80	1.77	44.96	0.63	15.88	0.94	23.80
	95		3.22	81.76	4.13	104.90	2.23	56.64	2.11	53.67	0.88	22.23	1.25	31.75
	96		3.22	81.76	5.13	130.30	2.23	56.64	2.11	53.67	0.88	22.23	1.25	31.75
	97		3.22	81.76	4.13	104.90	2.02	51.41	2.36	60.02	1.00	25.40	1.38	34.93
	98		3.22	81.76	5.13	130.30	2.02	51.41	2.36	60.02	1.00	25.40	1.38	34.93
99	3.22	81.76	4.13	104.90	2.55	64.77	2.77	70.36	1.25	31.75	1.63	41.28		
100	3.22	81.76	5.13	130.30	2.55	64.77	2.77	70.36	1.25	31.75	1.63	41.28		
101	3.22	81.76	4.13	104.90	2.60	66.04	3.02	76.71	1.44	36.50	1.88	47.63		
102	3.22	81.76	5.13	130.30	2.60	66.04	3.02	76.71	1.44	36.50	1.88	47.63		

ENVIRONMENTAL EMI/RFI

STRAIGHT; DIRECT COUPLING

Connector Group K

38999 Series I, II

M85049	/17	-10	W	03	A
SERIES	SLASH SHEET	SHELL SIZE	FINISH	CLAMP SIZE	LENGTH
	17: Straight	Table A	View Table 2 Pg. XX	Table A	Table A Omit for "STD"

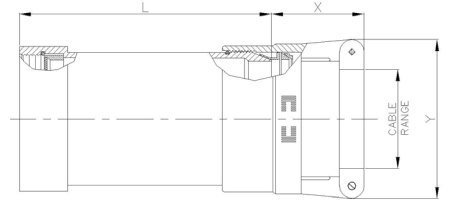


TABLE A														
Shell Size Accessory	Clamp Size	Length	Shell Size Connector SE-II/I	Cable Range				L Max.		X Max.		Y Max.		
				Min. Wire		Max. Wire		inch	mm	inch	mm	inch	mm	
				inch	mm	inch	mm							
08	01	STD.	8 / 9	0.06	1.57	0.13	3.18	1.53	38.86	1.25	31.75	0.78	19.81	
		A						2.53	64.26					
	02	STD.		0.13	3.18	0.25	6.35	1.53	38.86	1.25	31.75	0.97	24.64	
		A						2.53	64.26					
10	01	STD.		10 / 11	0.06	1.57	0.13	3.18	1.53	38.86	1.25	31.75	0.78	19.81
		A							2.53	64.26				
	02	STD.			0.13	3.18	0.25	6.35	1.53	38.86	1.25	31.75	0.97	24.64
		A							2.53	64.26				
	03	STD.	0.25		6.35	0.38	9.53	1.53	38.86	1.25	31.75	1.06	26.92	
		A						2.53	64.26					
12	02	STD.	12 / 13		0.13	3.18	0.25	6.35	1.53	38.86	1.25	31.75	0.97	24.64
		A							2.53	64.26				
	03	STD.			0.25	6.35	0.38	9.53	1.53	38.86	1.25	31.75	1.06	26.92
		A							2.53	64.26				
	04	STD.			0.38	9.53	0.50	12.70	1.53	38.86	1.25	31.75	1.16	29.46
		A							2.53	64.26				
14	02	STD.		14 / 15	0.13	3.18	0.25	6.35	1.53	38.86	1.25	31.75	0.97	24.64
		A							2.53	64.26				
		B							3.53	89.66				
		STD.							1.53	38.86				
	03	A			0.25	6.35	0.38	9.53	2.53	64.26	1.25	31.75	1.06	26.92
		B							3.53	89.66				
		STD.	1.53						38.86					
	04	A	0.38		9.53	0.50	12.70	2.53	64.26	1.25	31.75	1.16	29.46	
		B						3.53	89.66					
		STD.						1.53	38.86					
	05	A	0.50		12.70	0.63	15.88	2.53	64.26	1.31	33.27	1.25	31.75	
		B						3.53	89.66					
STD.		1.53		38.86										
16	02	STD.	16 / 17	0.13	3.18	0.25	6.35	1.53	38.86	1.25	31.75	0.97	24.64	
		A						2.53	64.26					
		B						3.53	89.66					
		STD.						1.53	38.86					
	03	A		0.25	6.35	0.38	9.53	2.53	64.26	1.25	31.75	1.06	26.92	
		B						3.53	89.66					
		STD.						1.53	38.86					
	04	A		0.38	9.53	0.50	12.70	2.53	64.26	1.25	31.75	1.16	29.46	
		B						3.53	89.66					
		STD.						1.53	38.86					
	05	A		0.50	12.70	0.63	15.88	2.53	64.26	1.31	33.27	1.25	31.75	
		B						3.53	89.66					
STD.		1.53	38.86											
06	A	0.63	15.88	0.75	19.05	2.53	64.26	1.38	35.05	1.38	35.05			
	B					3.53	89.66							
	STD.					1.53	38.86							
	A					2.53	64.26							

ENVIRONMENTAL EMI/RFI

STRAIGHT; DIRECT COUPLING 38999 Series I, II

Connector Group K

TABLE A													
Shell Size Accessory	Clamp Size	Length	Shell Size Connector SE-II/I	Cable Range				L Max.		X Max.		Y Max.	
				Min. Wire		Max. Wire		inch	mm	inch	mm	inch	mm
				inch	mm	inch	mm						
18	03	18 / 19	STD.	0.25	6.35	0.38	9.53	1.53	38.86	1.25	31.75	1.06	26.92
			A					2.53	64.26				
			B					3.53	89.66				
	04		STD.	0.38	9.53	0.50	12.70	1.53	38.86	1.25	31.75	1.16	29.46
			A					2.53	64.26				
			B					3.53	89.66				
	05		STD.	0.50	12.70	0.63	15.88	1.53	38.86	1.31	33.27	1.25	31.75
			A					2.53	64.26				
			B					3.53	89.66				
	06		STD.	0.63	15.88	0.75	19.05	1.53	38.86	1.38	35.05	1.38	35.05
			A					2.53	64.26				
			B					3.53	89.66				
07	STD.	0.75	19.05	0.88	22.23	1.53	38.86	1.50	38.10	1.50	38.10		
	A					2.53	64.26						
	B					3.53	89.66						
20	03	20 / 21	STD.	0.25	6.35	0.38	9.53	1.53	38.86	1.25	31.75	1.06	26.92
			A					2.53	64.26				
			B					3.53	89.66				
			C					4.53	115.06				
	04		STD.	0.38	9.53	0.50	12.70	1.53	38.86	1.25	31.75	1.16	29.46
			A					2.53	64.26				
			B					3.53	89.66				
			C					4.53	115.06				
	05		STD.	0.50	12.70	0.63	15.88	1.53	38.86	1.31	33.27	1.25	31.75
			A					2.53	64.26				
			B					3.53	89.66				
			C					4.53	115.06				
06	STD.	0.63	15.88	0.75	19.05	1.53	38.86	1.38	35.05	1.38	35.05		
	A					2.53	64.26						
	B					3.53	89.66						
	C					4.53	115.06						
07	STD.	0.75	19.05	0.88	22.23	1.53	38.86	1.50	38.10	1.50	38.10		
	A					2.53	64.26						
	B					3.53	89.66						
	C					4.53	115.06						
08	STD.	0.88	22.23	1.00	25.40	1.53	38.86	1.63	41.40	1.63	41.40		
	A					2.53	64.26						
	B					3.53	89.66						
	C					4.53	115.06						
22	03	22 / 23	STD.	0.25	6.35	0.38	9.53	1.53	38.86	1.25	31.75	1.06	26.92
			A					2.53	64.26				
			B					3.53	89.66				
			C					4.53	115.06				
	04		STD.	0.38	9.53	0.50	12.70	1.53	38.86	1.25	31.75	1.16	29.46
			A					2.53	64.26				
			B					3.53	89.66				
			C					4.53	115.06				
	05		STD.	0.50	12.70	0.63	15.88	1.53	38.86	1.31	33.27	1.25	31.75
			A					2.53	64.26				
			B					3.53	89.66				
			C					4.53	115.06				
06	STD.	0.63	15.88	0.75	19.05	1.53	38.86	1.38	35.05	1.38	35.05		
	A					2.53	64.26						
	B					3.53	89.66						
	C					4.53	115.06						

ENVIRONMENTAL EMI/RFI

STRAIGHT; DIRECT COUPLING

Connector Group K

38999 Series I, II

TABLE A													
Shell Size Accessory	Clamp Size	Length	Shell Size Connector SE-II/I	Cable Range				L Max.		X Max.		Y Max.	
				Min. Wire		Max. Wire		inch	mm	inch	mm	inch	mm
				inch	mm	inch	mm						
22, cont.	07	22 / 23	STD.	0.75	19.05	0.88	22.23	1.53	38.86	1.50	38.10	1.50	38.10
			A					2.53	64.26				
			B					3.53	89.66				
			C					4.53	115.06				
	08		STD.	0.88	22.23	1.00	25.40	1.53	38.86	1.63	41.40	1.63	41.40
			A					2.53	64.26				
			B					3.53	89.66				
			C					4.53	115.06				
	90		STD.	1.00	25.40	1.13	28.58	1.53	38.86	1.63	41.40	1.75	44.45
			A					2.53	64.26				
			B					3.53	89.66				
			C					4.53	115.06				
24	04	24 / 25	STD.	0.38	9.53	0.50	12.70	1.53	38.86	1.25	31.75	1.16	29.46
			A					2.53	64.26				
			B					3.53	89.66				
			C					4.53	115.06				
	05		STD.	0.50	12.70	0.63	15.88	1.53	38.86	1.31	33.27	1.25	31.75
			A					2.53	64.26				
			B					3.53	89.66				
			C					4.53	115.06				
	06		STD.	0.63	15.88	0.75	19.05	1.53	38.86	1.38	35.05	1.38	35.05
			A					2.53	64.26				
			B					3.53	89.66				
			C					4.53	115.06				
	07		STD.	0.75	19.05	0.88	22.23	1.53	38.86	1.50	38.10	1.50	38.10
			A					2.53	64.26				
			B					3.53	89.66				
			C					4.53	115.06				
	08		STD.	0.88	22.23	1.00	25.40	1.53	38.86	1.63	41.40	1.63	41.40
			A					2.53	64.26				
			B					3.53	89.66				
			C					4.53	115.06				
	90		STD.	1.00	25.40	1.13	28.58	1.53	38.86	1.63	41.40	1.75	44.45
			A					2.53	64.26				
			B					3.53	89.66				
			C					4.53	115.06				
10	STD.	1.13	28.58	1.25	31.75	1.53	38.86	1.63	41.40	1.88	47.75		
	A					2.53	64.26						
	B					3.53	89.66						
	C					4.53	115.06						

ENVIRONMENTAL EMI/RFI

STRAIGHT; SPIN COUPLING

Connector Group L

38999 Series III, IV

M85049	/18	11	W	03	A
SERIES	SLASH SHEET	SHELL SIZE	FINISH	CLAMP SIZE	LENGTH
	18: Straight	Table A	View Table 2 Pg. XX	Table A	Table A Omit for "STD"

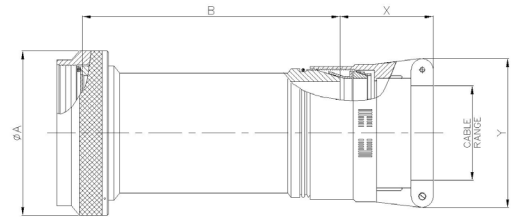


TABLE A

Shell Size Connector	Clamp Size	Length	Shell Size Connector (ref.)	Cable Range				A Dia Max.		B Max.		X Max.		Y Max.	
				Min. Wire		Max. Wire		inch	mm	inch	mm	inch	mm	inch	mm
				inch	mm	inch	mm								
9	01	STD.	9 / A	0.06	1.57	0.13	3.18	0.75	19.05	1.53	38.86	1.25	31.75	0.80	20.32
		A								2.53	64.26				
	02	STD.		0.13	3.18	0.25	6.35			1.53	38.86	1.25	31.75	1.00	25.40
		A								2.53	64.26				
11	01	STD.	11 / B	0.06	1.57	0.13	3.18	0.85	21.59	1.53	38.86	1.25	31.75	0.80	20.32
		A								2.53	64.26				
	02	STD.		0.13	3.18	0.25	6.35			1.53	38.86	1.25	31.75	1.00	25.40
		A								2.53	64.26				
	03	STD.		0.25	6.35	0.38	9.53			1.53	38.86	1.25	31.75	1.10	27.94
		A								2.53	64.26				
13	02	STD.	13 / C	0.13	3.18	0.25	6.35	1.00	25.40	1.53	38.86	1.25	31.75	1.00	25.40
		A								2.53	64.26				
	03	STD.		0.25	6.35	0.38	9.53			1.53	38.86	1.25	31.75	1.10	27.94
		A								2.53	64.26				
	04	STD.		0.38	9.53	0.50	12.70			1.53	38.86	1.25	31.75	1.20	30.48
		A								2.53	64.26				
15	02	STD.	15 / D	0.13	3.18	0.25	6.35	1.15	29.21	1.53	38.86	1.25	31.75	1.00	25.40
		A								2.53	64.26				
		B								3.53	89.66				
	03	STD.		0.25	6.35	0.38	9.53			1.53	38.86	1.25	31.75	1.10	27.94
		A								2.53	64.26				
		B								3.53	89.66				
	04	STD.		0.38	9.53	0.50	12.70			1.53	38.86	1.25	31.75	1.20	30.48
		A								2.53	64.26				
		B								3.53	89.66				
	05	STD.		0.50	12.70	0.63	15.88			1.53	38.86	1.31	33.27	1.25	31.75
		A								2.53	64.26				
		B								3.53	89.66				
17	02	STD.	17 / E	0.13	3.18	0.25	6.35	1.25	31.75	1.53	38.86	1.25	31.75	1.00	25.40
		A								2.53	64.26				
		B								3.53	89.66				
	03	STD.		0.25	6.35	0.38	9.53			1.53	38.86	1.25	31.75	1.10	27.94
		A								2.53	64.26				
		B								3.53	89.66				
	04	STD.		0.38	9.53	0.50	12.70			1.53	38.86	1.25	31.75	1.20	30.48
		A								2.53	64.26				
		B								3.53	89.66				
	05	STD.		0.50	12.70	0.63	15.88			1.53	38.86	1.31	33.27	1.25	31.75
		A								2.53	64.26				
		B								3.53	89.66				
	06	STD.		0.63	15.88	0.75	19.05			1.53	38.86	1.38	35.05	1.40	35.56
		A								2.53	64.26				
		B								3.53	89.66				

ENVIRONMENTAL EMI/RFI

STRAIGHT; SPIN COUPLING 38999 Series III, IV

Connector Group L

TABLE A															
Shell Size Connector	Clamp Size	Length	Shell Size Connector (ref.)	Cable Range				A Dia Max.		B Max.		X Max.		Y Max.	
				Min. Wire		Max. Wire		inch	mm	inch	mm	inch	mm	inch	mm
				inch	mm	inch	mm								
19	03	STD.	19 / F	0.25	6.35	0.38	9.53	1.40	35.56	1.53	38.86	1.25	31.75	1.10	27.94
		A								2.53	64.26				
		B								3.53	89.66				
	04	STD.		0.38	9.53	0.50	12.70			1.53	38.86	1.25	31.75	1.20	30.48
		A								2.53	64.26				
		B								3.53	89.66				
	05	STD.		0.50	12.70	0.63	15.88			1.53	38.86	1.31	33.27	1.25	31.75
		A								2.53	64.26				
		B								3.53	89.66				
	06	STD.		0.63	15.88	0.75	19.05			1.53	38.86	1.38	35.05	1.40	35.56
		A								2.53	64.26				
		B								3.53	89.66				
07	STD.	0.75	19.05	0.88	22.23	1.53	38.86	1.50	38.10	1.50	38.10				
	A					2.53	64.26								
	B					3.53	89.66								
21	03	STD.	21 / G	0.25	6.35	0.38	9.53	1.55	39.37	1.53	38.86	1.25	31.75	1.10	27.94
		A								2.53	64.26				
		B								3.53	89.66				
		C								4.53	115.06				
	04	STD.		0.38	9.53	0.50	12.70			1.53	38.86	1.25	31.75	1.20	30.48
		A								2.53	64.26				
		B								3.53	89.66				
		C								4.53	115.06				
	05	STD.		0.50	12.70	0.63	15.88			1.53	38.86	1.31	33.27	1.25	31.75
		A								2.53	64.26				
		B								3.53	89.66				
		C								4.53	115.06				
	06	STD.		0.63	15.88	0.75	19.05			1.53	38.86	1.38	35.05	1.40	35.56
		A								2.53	64.26				
		B								3.53	89.66				
		C								4.53	115.06				
	07	STD.		0.75	19.05	0.88	22.23			1.53	38.86	1.50	38.10	1.50	38.10
		A								2.53	64.26				
		B								3.53	89.66				
		C								4.53	115.06				
	8	STD.		0.88	22.23	1.00	25.40			1.53	38.86	1.63	41.40	1.65	41.91
		A								2.53	64.26				
		B								3.53	89.66				
		C								4.53	115.06				
23	03	STD.	23 / H	0.25	6.35	0.38	9.53	1.65	41.91	1.53	38.86	1.25	31.75	1.10	27.94
		A								2.53	64.26				
		B								3.53	89.66				
		C								4.53	115.06				
	04	STD.		0.38	9.53	0.50	12.70			1.53	38.86	1.25	31.75	1.20	30.48
		A								2.53	64.26				
		B								3.53	89.66				
		C								4.53	115.06				
	05	STD.		0.50	12.70	0.63	15.88			1.53	38.86	1.31	33.27	1.25	31.75
		A								2.53	64.26				
		B								3.53	89.66				
		C								4.53	115.06				
	06	STD.		0.63	15.88	0.75	19.05			1.53	38.86	1.38	35.05	1.40	35.56
		A								2.53	64.26				
		B								3.53	89.66				
		C								4.53	115.06				

ENVIRONMENTAL EMI/RFI

STRAIGHT; SPIN COUPLING

Connector Group L

38999 Series III, IV

TABLE A																		
Shell Size Connector	Clamp Size	Shell Size Connector (ref.)	Cable Range				A Dia Max.		B Max.		C Max.		D Max.		E Max.		Y Max.	
			Min. Wire		Max. Wire		inch	mm	inch	mm	inch	mm	inch	mm	inch	mm	inch	mm
			inch	mm	inch	mm												
19	03	19 / F	0.25	6.35	0.38	9.53	1.40	35.56	0.93	23.62	3.66	92.96	1.01	25.65	3.93	99.82	1.10	27.94
	04		0.38	9.53	0.50	12.70											1.20	30.48
	05		0.50	12.70	0.63	15.88											1.25	31.75
	06		0.63	15.88	0.75	19.05											1.40	35.56
	07		0.75	19.05	0.88	22.23											1.50	38.10
21	03	21 / G	0.25	6.35	0.38	9.53	1.55	39.37	0.93	23.62	3.66	92.96	1.06	26.92	3.93	99.82	1.10	27.94
	04		0.38	9.53	0.50	12.70											1.20	30.48
	05		0.50	12.70	0.63	15.88											1.25	31.75
	06		0.63	15.88	0.75	19.05											1.40	35.56
	07		0.75	19.05	0.88	22.23											1.50	38.10
	08		0.88	22.23	1.00	25.40											1.65	41.91
23	03	23 / H	0.25	6.35	0.38	9.53	1.65	41.91	1.02	25.91	3.81	96.77	1.17	29.72	4.04	102.62	1.10	27.94
	04		0.38	9.53	0.50	12.70											1.20	30.48
	05		0.50	12.70	0.63	15.88											1.25	31.75
	06		0.63	15.88	0.75	19.05											1.40	35.56
	07		0.75	19.05	0.88	22.23											1.50	38.10
	08		0.88	22.23	1.00	25.40											1.65	41.91
	09		1.00	25.40	1.13	28.58											1.75	44.45
25	04	25 / J	0.38	9.53	0.50	12.70	1.85	46.99	1.02	25.91	3.81	96.77	1.18	29.97	4.04	102.62	1.20	30.48
	05		0.50	12.70	0.63	15.88											1.25	31.75
	06		0.63	15.88	0.75	19.05											1.40	35.56
	07		0.75	19.05	0.88	22.23											1.50	38.10
	08		0.88	22.23	1.00	25.40											1.65	41.91
	09		1.00	25.40	1.13	28.58											1.75	44.45
	10	1.13	28.58	1.25	31.75	1.90	48.26											

ENVIRONMENTAL EMI/RFI

90° & 45°; SPIN COUPLING

Connector Group K

38999 Series I, II

M85049	/76	-10	W	03
SERIES	SLASH SHEET	SHELL SIZE	FINISH	CLAMP SIZE
	76: 45° 77: 90°	Table A	View Table 2 Pg. XX	Table A

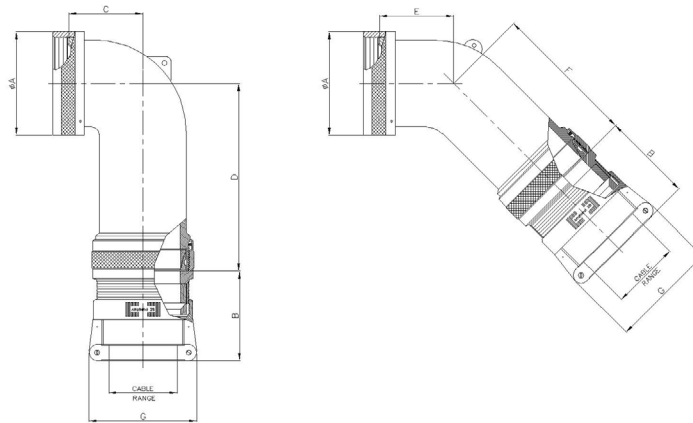


TABLE A

Shell Size Accessory	Clamp Size	Shell Size Connector SE-II/I	Cable Range				A Dia Max.		B Max.		C Max.		D Max.		E Max.		Y Max.	
			Min. Wire		Max. Wire		inch	mm	inch	mm	inch	mm	inch	mm	inch	mm	inch	mm
			inch	mm	inch	mm												
08	01	8 / 9	0.06	1.57	0.13	3.18	0.75	19.05	0.46	11.68	3.15	80.01	0.69	17.53	3.46	87.88	0.80	20.32
	02		0.13	3.18	0.25	6.35											1.00	25.40
10	01	10 / 11	0.06	1.57	0.13	3.18	0.85	21.59	0.52	13.21	3.21	81.53	0.78	19.81	3.58	90.93	0.80	20.32
	02		0.13	3.18	0.25	6.35											1.00	25.40
	03		0.25	6.35	0.38	9.53											1.10	27.94
12	02	12 / 13	0.13	3.18	0.25	6.35	1.00	25.40	0.58	14.73	3.27	83.06	0.80	20.32	3.60	91.44	1.00	25.40
	03		0.25	6.35	0.38	9.53											1.10	27.94
	04		0.38	9.53	0.50	12.70											1.20	30.48
14	02	14 / 15	0.13	3.18	0.25	6.35	1.15	29.21	0.65	16.51	3.36	85.34	0.88	22.35	3.67	93.22	1.00	25.40
	03		0.25	6.35	0.38	9.53											1.10	27.94
	04		0.38	9.53	0.50	12.70											1.20	30.48
	05		0.50	12.70	0.63	15.88											1.25	31.75
16	02	16 / 17	0.13	3.18	0.25	6.35	1.25	31.75	0.74	18.80	3.47	88.14	0.93	23.62	3.76	95.50	1.00	25.40
	03		0.25	6.35	0.38	9.53											1.10	27.94
	04		0.38	9.53	0.50	12.70											1.20	30.48
	05		0.50	12.70	0.63	15.88											1.25	31.75
	06		0.63	15.88	0.75	19.05											1.40	35.56
18	03	18 / 19	0.25	6.35	0.38	9.53	1.40	35.56	0.93	23.62	3.66	92.96	1.01	25.65	3.93	99.82	1.10	27.94
	04		0.38	9.53	0.50	12.70											1.20	30.48
	05		0.50	12.70	0.63	15.88											1.25	31.75
	06		0.63	15.88	0.75	19.05											1.40	35.56
	07		0.75	19.05	0.88	22.23											1.50	38.10

ENVIRONMENTAL EMI/RFI

90° & 45°; SPIN COUPLING

Connector Group K

38999 Series I, II

TABLE A																		
Shell Size Accessory	Clamp Size	Shell Size Connector SE-II/I	Cable Range				A Dia Max.		B Max.		C Max.		D Max.		E Max.		Y Max.	
			Min. Wire		Max. Wire		inch	mm	inch	mm	inch	mm	inch	mm	inch	mm	inch	mm
			inch	mm	inch	mm												
20	03	20 / 21	0.25	6.35	0.38	9.53	1.55	39.37	0.93	23.62	3.66	92.96	1.06	26.92	3.93	99.82	1.10	27.94
	04		0.38	9.53	0.50	12.70											1.20	30.48
	05		0.50	12.70	0.63	15.88											1.25	31.75
	06		0.63	15.88	0.75	19.05											1.40	35.56
	07		0.75	19.05	0.88	22.23											1.50	38.10
	08		0.88	22.23	1.00	25.40											1.65	41.91
22	03	22 / 23	0.25	6.35	0.38	9.53	1.65	41.91	1.02	25.91	3.81	96.77	1.17	29.72	4.04	102.62	1.10	27.94
	04		0.38	9.53	0.50	12.70											1.20	30.48
	05		0.50	12.70	0.63	15.88											1.25	31.75
	06		0.63	15.88	0.75	19.05											1.40	35.56
	07		0.75	19.05	0.88	22.23											1.50	38.10
	08		0.88	22.23	1.00	25.40											1.65	41.91
24	04	24 / 25	0.38	9.53	0.50	12.70	1.85	46.99	1.02	25.91	3.81	96.77	1.18	29.97	4.04	102.62	1.20	30.48
	05		0.50	12.70	0.63	15.88											1.25	31.75
	06		0.63	15.88	0.75	19.05											1.40	35.56
	07		0.75	19.05	0.88	22.23											1.50	38.10
	08		0.88	22.23	1.00	25.40											1.65	41.91
	09		1.00	25.40	1.13	28.58											1.75	44.45
10	1.13	28.58	1.25	31.75	1.90	48.26												

ENVIRONMENTAL EMI/RFI

90° & 45°; SPIN COUPLING

Connector Group L

38999 Series III, IV

M85049	/79	-11	W	03
SERIES	SLASH SHEET	SHELL SIZE	FINISH	CLAMP SIZE
	78: 45° 79: 90°	Table A	View Table 2 Pg. XX	Table A

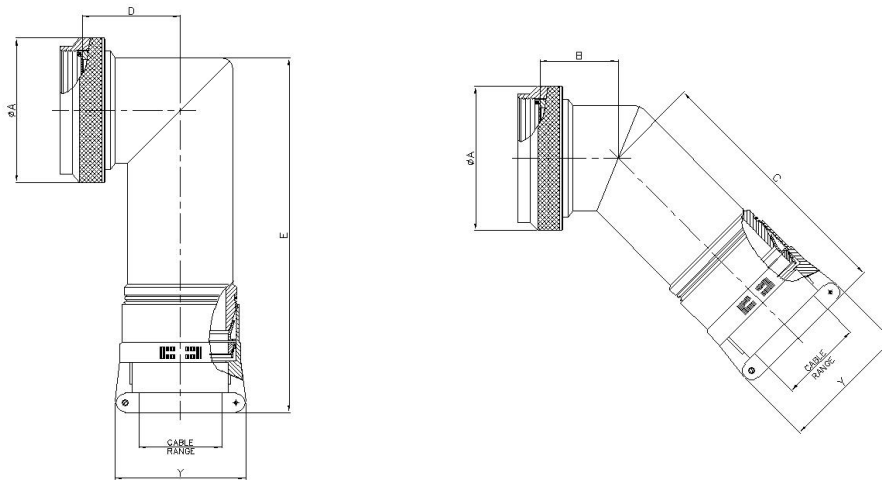


TABLE A

Shell Size Connector	Clamp Size	Shell Size Connector (ref.)	Cable Range				A Dia Max.		B Max.		C Max.		D Max.		E Max.		Y Max.	
			Min. Wire		Max. Wire		inch	mm	inch	mm	inch	mm	inch	mm	inch	mm	inch	mm
			inch	mm	inch	mm												
9	01	09 / A	0.06	1.57	0.13	3.18	0.75	19.05	0.46	11.68	3.15	80.01	0.69	17.53	3.46	87.88	0.80	20.32
	02		0.13	3.18	0.25	6.35											1.00	25.40
11	01	11 / B	0.06	1.57	0.13	3.18	0.85	21.59	0.52	13.21	3.21	81.53	0.78	19.81	3.58	90.93	0.80	20.32
	02		0.13	3.18	0.25	6.35											1.00	25.40
	03		0.25	6.35	0.38	9.53											1.10	27.94
13	02	13 / C	0.13	3.18	0.25	6.35	1.00	25.40	0.58	14.73	3.27	83.06	0.80	20.32	3.60	91.44	1.00	25.40
	03		0.25	6.35	0.38	9.53											1.10	27.94
	04		0.38	9.53	0.50	12.70											1.20	30.48
15	02	15 / D	0.13	3.18	0.25	6.35	1.15	29.21	0.65	16.51	3.36	85.34	0.88	22.35	3.67	93.22	1.00	25.40
	03		0.25	6.35	0.38	9.53											1.10	27.94
	04		0.38	9.53	0.50	12.70											1.20	30.48
	05		0.50	12.70	0.63	15.88											1.25	31.75
17	02	17 / E	0.13	3.18	0.25	6.35	1.25	31.75	0.74	18.80	3.47	88.14	0.93	23.62	3.76	95.50	1.00	25.40
	03		0.25	6.35	0.38	9.53											1.10	27.94
	04		0.38	9.53	0.50	12.70											1.20	30.48
	05		0.50	12.70	0.63	15.88											1.25	31.75
	06		0.63	15.88	0.75	19.05											1.40	35.56

ENVIRONMENTAL EMI/RFI

90° & 45°; SPIN COUPLING

Connector Group L

38999 Series III, IV

TABLE A																		
Shell Size Connector	Clamp Size	Shell Size Connector (ref.)	Cable Range				A Dia Max.		B Max.		C Max.		D Max.		E Max.		Y Max.	
			Min. Wire		Max. Wire		inch	mm	inch	mm	inch	mm	inch	mm	inch	mm	inch	mm
			inch	mm	inch	mm												
19	03	19 / F	0.25	6.35	0.38	9.53	1.40	35.56	0.93	23.62	3.66	92.96	1.01	25.65	3.93	99.82	1.10	27.94
	04		0.38	9.53	0.50	12.70											1.20	30.48
	05		0.50	12.70	0.63	15.88											1.25	31.75
	06		0.63	15.88	0.75	19.05											1.40	35.56
	07		0.75	19.05	0.88	22.23											1.50	38.10
21	03	21 / G	0.25	6.35	0.38	9.53	1.55	39.37	0.93	23.62	3.66	92.96	1.06	26.92	3.93	99.82	1.10	27.94
	04		0.38	9.53	0.50	12.70											1.20	30.48
	05		0.50	12.70	0.63	15.88											1.25	31.75
	06		0.63	15.88	0.75	19.05											1.40	35.56
	07		0.75	19.05	0.88	22.23											1.50	38.10
23	03	23 / H	0.25	6.35	0.38	9.53	1.65	41.91	1.02	25.91	3.81	96.77	1.17	29.72	4.04	102.62	1.10	27.94
	04		0.38	9.53	0.50	12.70											1.20	30.48
	05		0.50	12.70	0.63	15.88											1.25	31.75
	06		0.63	15.88	0.75	19.05											1.40	35.56
	07		0.75	19.05	0.88	22.23											1.50	38.10
25	04	25 / J	0.38	9.53	0.50	12.70	1.85	46.99	1.02	25.91	3.81	96.77	1.18	29.97	4.04	102.62	1.20	30.48
	05		0.50	12.70	0.63	15.88											1.25	31.75
	06		0.63	15.88	0.75	19.05											1.40	35.56
	07		0.75	19.05	0.88	22.23											1.50	38.10
	08		0.88	22.23	1.00	25.40											1.65	41.91
25	09	25 / J	1.00	25.40	1.13	28.58	1.85	46.99	1.02	25.91	3.81	96.77	1.18	29.97	4.04	102.62	1.75	44.45
	10		1.13	28.58	1.25	31.75											1.90	48.26

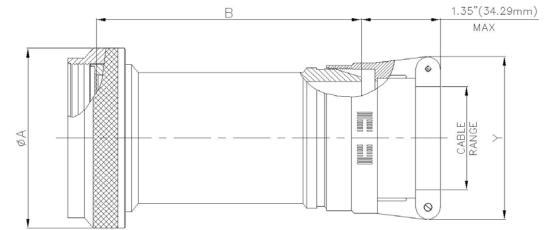
NON-ENVIRONMENTAL

STRAIGHT, SPIN COUPLING

Connector Group L

38999 Series III, IV

M85049	/21	11	W	02	A
SERIES	SLASH SHEET	SHELL SIZE	FINISH	CLAMP SIZE	LENGTH
	21: Straight	Table A	View Table 2 Pg. XX	Table A	Table A Omit for "STD"



Shell Size Accessories	Clamp Size	Length	Shell Size Connector SE-II/I	TABLE A Cable Range				A Dia. Max.		B Dia. Max.		Y Max.		
				Min.		Max.		inch	mm	inch	mm	inch	mm	
				inch	mm	inch	mm							
9	01	STD.	9 / A	0.06	1.57	0.13	3.18	0.75	19.05	1.53	38.86	0.80	20.32	
		A								2.53	64.26			
	02	STD.		0.13	3.18	0.25	6.35			1.53	38.86	1.00	25.40	
		A								2.53	64.26			
11	01	STD.		11 / B	0.06	1.57	0.13	3.18	0.85	21.59	1.53	38.86	0.80	20.32
		A									2.53	64.26		
	02	STD.			0.13	3.18	0.25	6.35			1.53	38.86	1.00	25.40
		A									2.53	64.26		
	03	STD.	0.25		6.35	0.38	9.53	1.53			38.86	1.10	27.94	
		A						2.53			64.26			
13	02	STD.	13 / C	0.13	3.18	0.25	6.35	1.00	25.40	1.53	38.86	1.00	25.40	
		A								2.53	64.26			
	03	STD.		0.25	6.35	0.38	9.53			1.53	38.86	1.10	27.94	
		A								2.53	64.26			
04	STD.	0.31		7.92	0.50	12.70	1.53	38.86	1.20	30.48				
	A						2.53	64.26						
15	02	STD.		15 / D	0.13	3.18	0.25	6.35	1.10	27.94	1.53	38.86	1.00	25.40
		A									2.53	64.26		
		B	3.53								89.66			
	03	STD.	0.25		6.35	0.38	9.53	1.53			38.86	1.10	27.94	
		A						2.53			64.26			
		B						3.53			89.66			
	04	STD.	0.31		7.92	0.50	12.70	1.53	38.86	1.20	30.48			
		A						2.53	64.26					
		B						3.53	89.66					
	05	STD.	0.44		11.10	0.63	15.88	1.53	38.86	1.25	31.75			
		A						2.53	64.26					
		B						3.53	89.66					
17	02	STD.	17 / E	0.13	3.18	0.25	6.35	1.25	31.75	1.53	38.86	1.00	25.40	
		A								2.53	64.26			
		B								3.53	89.66			
	03	STD.		0.25	6.35	0.38	9.53			1.53	38.86	1.10	27.94	
		A								2.53	64.26			
		B								3.53	89.66			
	04	STD.		0.31	7.92	0.50	12.70	1.53	38.86	1.20	30.48			
		A						2.53	64.26					
		B						3.53	89.66					

NON-ENVIRONMENTAL

STRAIGHT, SPIN COUPLING

Connector Group L

38999 Series III, IV

TABLE A																	
Shell Size Accessories	Clamp Size	Length	Shell Size Connector SE-II/I	Cable Range				A Dia. Max.		B Dia. Max.		Y Max.					
				Min.		Max.		inch	mm	inch	mm	inch	mm				
				inch	mm	inch	mm										
17, cont.	05	STD.	17/E	0.44	11.10	0.63	15.88	1.25	31.75	1.53	38.86	1.25	31.75				
		A								2.53	64.26						
		B								3.53	89.66						
	06	STD.		0.56	14.27	0.75	19.05			1.53	38.86	1.40	35.56				
		A								2.53	64.26						
		B								3.53	89.66						
19	03	STD.	19 / F	0.25	6.35	0.38	9.53	1.40	35.56	1.53	38.86	1.10	27.94				
		A								2.53	64.26						
		B								3.53	89.66						
	04	STD.		0.31	7.92	0.50	12.70			1.53	38.86	1.20	30.48				
		A								2.53	64.26						
		B								3.53	89.66						
	05	STD.		0.44	11.10	0.63	15.88			1.53	38.86	1.25	31.75				
		A								2.53	64.26						
		B								3.53	89.66						
	06	STD.		0.56	14.27	0.75	19.05			1.53	38.86	1.40	35.56				
		A								2.53	64.26						
		B								3.53	89.66						
	07	STD.		0.69	17.45	0.88	22.23			1.53	38.86	1.50	38.10				
		A								2.53	64.26						
		B								3.53	89.66						
	21	03		STD.	21 / G	0.25	6.35			0.38	9.53	1.50	38.10	1.53	38.86	1.10	27.94
				A										2.53	64.26		
				B										3.53	89.66		
C			4.53	115.06													
04		STD.	0.31	7.92		0.50	12.70	1.53	38.86	1.20	30.48						
		A						2.53	64.26								
		B						3.53	89.66								
		C						4.53	115.06								
05		STD.	0.44	11.10		0.63	15.88	1.53	38.86	1.25	31.75						
		A						2.53	64.26								
		B						3.53	89.66								
		C						4.53	115.06								
06		STD.	0.56	14.27		0.75	19.05	1.53	38.86	1.40	35.56						
		A						2.53	64.26								
		B						3.53	89.66								
		C						4.53	115.06								
07		STD.	0.69	17.45		0.88	22.23	1.53	38.86	1.50	38.10						
		A						2.53	64.26								
		B						3.53	89.66								
		C						4.53	115.06								
08		STD.	0.81	20.62		1.00	25.40	1.53	38.86	1.65	41.91						
		A						2.53	64.26								
		B						3.53	89.66								
		C						4.53	115.06								
23	03	STD.	23 / H	0.25	6.35	0.38	9.53	1.65	41.91	1.53	38.86	1.10	27.94				
		A								2.53	64.26						
		B								3.53	89.66						
		C								4.53	115.06						

NON-ENVIRONMENTAL

STRAIGHT, DIRECT COUPLING

Connector Group K

38999 Series I & Series II

M85049	/29	10	W	06	A
SERIES	SLASH SHEET	SHELL SIZE	FINISH	CLAMP SIZE	LENGTH
	29: Straight	Table A	View Table 2 Pg. XX	Table A	Table A Omit for "STD"

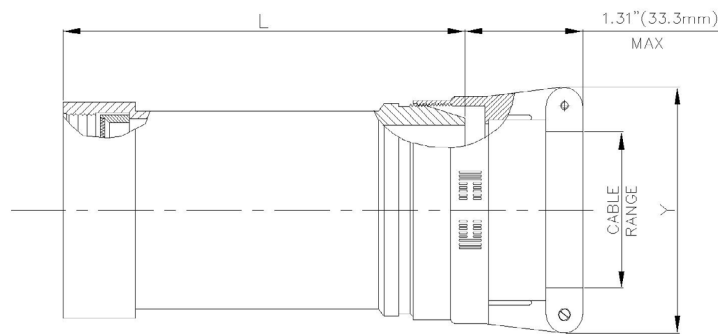


TABLE A											
Shell Size Accessories	Clamp Size	Length	Shell Size Connector SE-II/I	Cable Range				A Dia. Max.		B Dia. Max.	
				Min.		Max.		inch	mm	inch	mm
				inch	mm	inch	mm				
08	01	STD.	8 / 9	0.06	1.57	0.13	3.18	1.03	26.16	0.78	19.81
		A						2.03	51.56		
	02	STD.		0.13	3.18	0.25	6.35	1.03	26.16	0.97	24.64
		A						2.03	51.56		
10	01	STD.	10 / 11	0.06	1.57	0.13	3.18	1.03	26.16	0.78	19.81
		A						2.03	51.56		
	02	STD.		0.13	3.18	0.25	6.35	1.03	26.16	0.97	24.64
		A						2.03	51.56		
	03	STD.		0.25	6.35	0.38	9.53	1.03	26.16	1.06	26.92
		A						2.03	51.56		
12	02	STD.	12 / 13	0.13	3.18	0.25	6.35	1.03	26.16	0.97	24.64
		A						2.03	51.56		
	03	STD.		0.25	6.35	0.38	9.53	1.03	26.16	1.06	26.92
		A						2.03	51.56		
	04	STD.		0.31	7.92	0.50	12.70	1.03	26.16	1.16	29.46
		A						2.03	51.56		
14	02	STD.	14 / 15	0.13	3.18	0.25	6.35	1.03	26.16	0.97	24.64
		A						2.03	51.56		
		B						3.03	76.96		
	03	STD.		0.25	6.35	0.38	9.53	1.03	26.16	1.06	26.92
		A						2.03	51.56		
		B						3.03	76.96		
	04	STD.		0.31	7.92	0.50	12.70	1.03	26.16	1.16	29.46
		A						2.03	51.56		
		B						3.03	76.96		
	05	STD.		0.44	11.10	0.63	15.88	1.03	26.16	1.25	31.75
		A						2.03	51.56		
		B						3.03	76.96		

NON-ENVIRONMENTAL

STRAIGHT, DIRECT COUPLING 38999 Series I & Series II

Connector Group K

TABLE A											
Shell Size Accessories	Clamp Size	Length	Shell Size Connector SE-II/I	Cable Range				A Dia. Max.		B Dia. Max.	
				Min.		Max.		inch	mm	inch	mm
				inch	mm	inch	mm				
16	02	STD.	16 / 17	0.13	3.18	0.25	6.35	1.03	26.16	0.97	24.64
		A						2.03	51.56		
		B						3.03	76.96		
	03	STD.		0.25	6.35	0.38	9.53	1.03	26.16	1.06	26.92
		A						2.03	51.56		
		B						3.03	76.96		
	04	STD.		0.31	7.92	0.50	12.70	1.03	26.16	1.16	29.46
		A						2.03	51.56		
		B						3.03	76.96		
	05	STD.		0.44	11.10	0.63	15.88	1.03	26.16	1.25	31.75
		A						2.03	51.56		
		B						3.03	76.96		
06	STD.	0.56	14.27	0.75	19.05	1.03	26.16	1.38	35.05		
	A					2.03	51.56				
	B					3.03	76.96				
18	03	STD.	18 / 19	0.25	6.35	0.38	9.53	1.03	26.16	1.06	26.92
		A						2.03	51.56		
		B						3.03	76.96		
	04	STD.		0.31	7.92	0.50	12.70	1.03	26.16	1.16	29.46
		A						2.03	51.56		
		B						3.03	76.96		
	05	STD.		0.44	11.10	0.63	15.88	1.03	26.16	1.25	31.75
		A						2.03	51.56		
		B						3.03	76.96		
	06	STD.		0.56	14.27	0.75	19.05	1.03	26.16	1.38	35.05
		A						2.03	51.56		
		B						3.03	76.96		
07	STD.	0.69	17.45	0.88	22.23	1.03	26.16	1.50	38.10		
	A					2.03	51.56				
	B					3.03	76.96				
20	03	STD.	20 / 21	0.25	6.35	0.38	9.53	1.03	26.16	1.06	26.92
		A						2.03	51.56		
		B						3.03	76.96		
		C						4.03	102.36		
	04	STD.		0.31	7.92	0.50	12.70	1.03	26.16	1.16	29.46
		A						2.03	51.56		
		B						3.03	76.96		
		C						4.03	102.36		
	05	STD.		0.44	11.10	0.63	15.88	1.03	26.16	1.25	31.75
		A						2.03	51.56		
		B						3.03	76.96		
		C						4.03	102.36		
	06	STD.		0.56	14.27	0.75	19.05	1.03	26.16	1.38	35.05
		A						2.03	51.56		
		B						3.03	76.96		
		C						4.03	102.36		
	07	STD.		0.69	17.45	0.88	22.23	1.03	26.16	1.50	38.10
		A						2.03	51.56		
		B						3.03	76.96		
		C						4.03	102.36		
	8	STD.		0.81	20.62	1.00	25.40	1.03	26.16	1.63	41.40
		A						2.03	51.56		
		B						3.03	76.96		
		C						4.03	102.36		

NON-ENVIRONMENTAL

STRAIGHT, DIRECT COUPLING 38999 Series I & Series II

Connector Group K

TABLE A											
Shell Size Accessories	Clamp Size	Length	Shell Size Connector SE-II/I	Cable Range				A Dia. Max.		B Dia. Max.	
				Min.		Max.		inch	mm	inch	mm
				inch	mm	inch	mm				
22	03	STD.	22 / 23	0.25	6.35	0.38	9.53	1.03	26.16	1.06	26.92
		A						2.03	51.56		
		B						3.03	76.96		
		C						4.03	102.36		
	04	STD.		0.31	7.92	0.50	12.70	1.03	26.16	1.16	29.46
		A						2.03	51.56		
		B						3.03	76.96		
		C						4.03	102.36		
	05	STD.		0.44	11.10	0.63	15.88	1.03	26.16	1.25	31.75
		A						2.03	51.56		
		B						3.03	76.96		
		C						4.03	102.36		
	06	STD.		0.56	14.27	0.75	19.05	1.03	26.16	1.38	35.05
		A						2.03	51.56		
		B						3.03	76.96		
		C						4.03	102.36		
	07	STD.		0.69	17.45	0.88	22.23	1.03	26.16	1.50	38.10
		A						2.03	51.56		
		B						3.03	76.96		
		C						4.03	102.36		
	8	STD.		0.81	20.62	1.00	25.40	1.03	26.16	1.63	41.40
		A						2.03	51.56		
		B						3.03	76.96		
		C						4.03	102.36		
	9	STD.		0.94	23.80	1.13	28.58	1.03	26.16	1.75	44.45
		A						2.03	51.56		
		B						3.03	76.96		
		C						4.03	102.36		
24	04	STD.	24 / 25	0.31	7.92	0.50	12.70	1.03	26.16	1.16	29.46
		A						2.03	51.56		
		B						3.03	76.96		
		C						4.03	102.36		
	05	STD.		0.44	11.10	0.63	15.88	1.03	26.16	1.25	31.75
		A						2.03	51.56		
		B						3.03	76.96		
		C						4.03	102.36		
	06	STD.		0.56	14.27	0.75	19.05	1.03	26.16	1.38	35.05
		A						2.03	51.56		
		B						3.03	76.96		
		C						4.03	102.36		
	07	STD.		0.69	17.45	0.88	22.23	1.03	26.16	1.50	38.10
		A						2.03	51.56		
		B						3.03	76.96		
		C						4.03	102.36		
	8	STD.		0.81	20.62	1.00	25.40	1.03	26.16	1.63	41.40
		A						2.03	51.56		
		B						3.03	76.96		
		C						4.03	102.36		
	9	STD.		0.94	23.80	1.13	28.58	1.03	26.16	1.75	44.45
		A						2.03	51.56		
		B						3.03	76.96		
		C						4.03	102.36		
	10	STD.		1.06	26.97	1.25	31.75	1.03	26.16	1.88	47.75
		A						2.03	51.56		
		B						3.03	76.96		
		C						4.03	102.36		

NON-ENVIRONMENTAL EMI/RFI

STRAIGHT; SPIN COUPLING

Connector Group L

38999 Series III, IV

M85049	/19	11	W	03	A
SERIES	SLASH SHEET	SHELL SIZE	FINISH	CLAMP SIZE	LENGTH
	19: Straight	Table A	View Table 2 Pg. XX	Table A	Table A Omit For "STD"

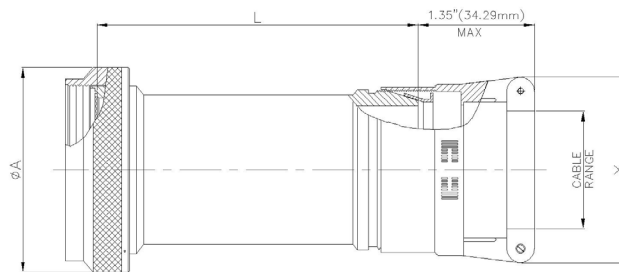


TABLE A													
Shell Size Accessory	Clamp Size	Length	Shell Size Connector	Cable Range				A DIA. Max.		L Max.		Y Max.	
				Min.		Max.		inch	mm	inch	mm	inch	mm
				inch	mm	inch	mm						
9	01	STD.	9 / A	0.06	1.57	0.13	3.18	0.75	19.05	1.53	38.86	0.80	20.32
		A								2.53	64.26		
	02	STD.		0.13	3.18	0.25	6.35			1.53	38.86	1.00	25.40
		A								2.53	64.26		
11	01	STD.	11 / B	0.06	1.57	0.13	3.18	0.85	21.59	1.53	38.86	0.80	20.32
		A								2.53	64.26		
	02	STD.		0.13	3.18	0.25	6.35			1.53	38.86	1.00	25.40
		A								2.53	64.26		
	03	STD.		0.25	6.35	0.38	9.53			1.53	38.86	1.10	27.94
		A								2.53	64.26		
13	02	STD.	13 / C	0.13	3.18	0.25	6.35	1.00	25.40	1.53	38.86	1.00	25.40
		A								2.53	64.26		
	03	STD.		0.25	6.35	0.38	9.53			1.53	38.86	1.10	27.94
		A								2.53	64.26		
	04	STD.		0.31	7.92	0.50	12.70			1.53	38.86	1.20	30.48
		A								2.53	64.26		
15	02	STD.	15 / D	0.13	3.18	0.25	6.35	1.10	27.94	1.53	38.86	1.00	25.40
		A								2.53	64.26		
		B								3.53	89.66		
	03	STD.		0.25	6.35	0.38	9.53			1.53	38.86	1.10	27.94
		A								2.53	64.26		
		B								3.53	89.66		
	04	STD.		0.31	7.92	0.50	12.70			1.53	38.86	1.20	30.48
		A								2.53	64.26		
		B								3.53	89.66		
	05	STD.		0.44	11.10	0.63	15.88			1.53	38.86	1.25	31.75
		A								2.53	64.26		
		B								3.53	89.66		

NON-ENVIRONMENTAL EMI/RFI

STRAIGHT; SPIN COUPLING

Connector Group L

38999 Series III, IV

TABLE A																	
Shell Size Accessory	Clamp Size	Length	Shell Size Connector	Cable Range				A DIA. Max.		L Max.		Y Max.					
				Min.		Max.		inch	mm	inch	mm	inch	mm				
				inch	mm	inch	mm										
17	02	STD.	17 / E	0.13	3.18	0.25	6.35	1.25	31.75	1.53	38.86	1.00	25.40				
		A								2.53	64.26						
		B								3.53	89.66						
	03	STD.		0.25	6.35	0.38	9.53			1.53	38.86	1.10	27.94				
		A								2.53	64.26						
		B								3.53	89.66						
	04	STD.		0.31	7.92	0.50	12.70			1.53	38.86	1.20	30.48				
		A								2.53	64.26						
		B								3.53	89.66						
	05	STD.		0.44	11.10	0.63	15.88			1.53	38.86	1.25	31.75				
		A								2.53	64.26						
		B								3.53	89.66						
	06	STD.		0.56	14.27	0.75	19.05			1.53	38.86	1.40	35.56				
		A								2.53	64.26						
		B								3.53	89.66						
	19	03		STD.	19 / F	0.25	6.35			0.38	9.53	1.40	35.56	1.53	38.86	1.10	27.94
				A										2.53	64.26		
				B										3.53	89.66		
04		STD.	0.31	7.92		0.50	12.70	1.53	38.86	1.20	30.48						
		A						2.53	64.26								
		B						3.53	89.66								
05		STD.	0.44	11.10		0.63	15.88	1.53	38.86	1.25	31.75						
		A						2.53	64.26								
		B						3.53	89.66								
06		STD.	0.56	14.27		0.75	19.05	1.53	38.86	1.40	35.56						
		A						2.53	64.26								
		B						3.53	89.66								
07		STD.	0.69	17.45		0.88	22.23	1.53	38.86	1.50	38.10						
		A						2.53	64.26								
		B						3.53	89.66								
21		03	STD.	21 / G		0.25	6.35	0.38	9.53	1.50	38.10			1.53	38.86	1.10	27.94
			A											2.53	64.26		
			B											3.53	89.66		
	C		4.53		115.06												
	04	STD.	0.31		7.92	0.50	12.70	1.53	38.86			1.20	30.48				
		A						2.53	64.26								
		B						3.53	89.66								
		C						4.53	115.06								
	05	STD.	0.44		11.10	0.63	15.88	1.53	38.86			1.25	31.75				
		A						2.53	64.26								
		B						3.53	89.66								
		C						4.53	115.06								
	06	STD.	0.56		14.27	0.75	19.05	1.53	38.86			1.40	35.56				
		A						2.53	64.26								
		B						3.53	89.66								
		C						4.53	115.06								
	07	STD.	0.69		17.45	0.88	22.23	1.53	38.86			1.50	38.10				
		A						2.53	64.26								
		B						3.53	89.66								
		C						4.53	115.06								
	8	STD.	0.81		20.62	1.00	25.40	1.53	38.86			1.65	41.91				
		A						2.53	64.26								
		B						3.53	89.66								
		C						4.53	115.06								

NON-ENVIRONMENTAL EMI/RFI

STRAIGHT; SPIN COUPLING

Connector Group L

38999 Series III, IV

TABLE-A															
Shell Size Accessory	Clamp Size	Length	Shell Size Connector	Cable Range				A DIA. Max.		L Max.		Y Max.			
				Min.		Max.		inch	mm	inch	mm	inch	mm		
				inch	mm	inch	mm								
23	03	STD.	23 / H	0.25	6.35	0.38	9.53	1.65	41.91	1.53	38.86	1.10	27.94		
		A								2.53	64.26				
		B								3.53	89.66				
		C								4.53	115.06				
	04	STD.		0.31	7.92	0.50	12.70			1.53	38.86	1.20	30.48		
		A												2.53	64.26
		B												3.53	89.66
		C												4.53	115.06
	05	STD.		0.44	11.10	0.63	15.88			1.53	38.86	1.25	31.75		
		A												2.53	64.26
		B												3.53	89.66
		C												4.53	115.06
	06	STD.		0.56	14.27	0.75	19.05			1.53	38.86	1.40	35.56		
		A												2.53	64.26
		B												3.53	89.66
		C												4.53	115.06
	07	STD.		0.69	17.45	0.88	22.23			1.53	38.86	1.50	38.10		
		A												2.53	64.26
		B												3.53	89.66
		C												4.53	115.06
	8	STD.		0.81	20.62	1.00	25.40			1.53	38.86	1.65	41.91		
		A												2.53	64.26
		B												3.53	89.66
		C												4.53	115.06
	9	STD.		0.94	23.80	1.13	28.58			1.53	38.86	1.75	44.45		
		A												2.53	64.26
		B												3.53	89.66
		C												4.53	115.06
25	04	STD.	25 / J	0.31	7.92	0.50	12.70	1.75	44.45	1.53	38.86	1.20	30.48		
		A								2.53	64.26				
		B								3.53	89.66				
		C								4.53	115.06				
	05	STD.		0.44	11.10	0.63	15.88			1.53	38.86	1.25	31.75		
		A												2.53	64.26
		B												3.53	89.66
		C												4.53	115.06
	06	STD.		0.56	14.27	0.75	19.05			1.53	38.86	1.40	35.56		
		A												2.53	64.26
		B												3.53	89.66
		C												4.53	115.06
	07	STD.		0.69	17.45	0.88	22.23			1.53	38.86	1.50	38.10		
		A												2.53	64.26
		B												3.53	89.66
		C												4.53	115.06
	8	STD.		0.81	20.62	1.00	25.40			1.53	38.86	1.65	41.91		
		A												2.53	64.26
		B												3.53	89.66
		C												4.53	115.06
	9	STD.		0.94	23.80	1.13	28.58			1.53	38.86	1.75	44.45		
		A												2.53	64.26
		B												3.53	89.66
		C												4.53	115.06
	10	STD.		1.06	26.97	1.25	31.75			1.53	38.86	1.90	48.26		
		A												2.53	64.26
		B												3.53	89.66
		C												4.53	115.06

NON-ENVIRONMENTAL EMI/RFI

90° & 45°; SPIN COUPLING

Connector Group J

26482 Series II; 5015 (MS345X); 83723 Series III

M85049	/23	-10	W
SERIES	SLASH SHEET	DASH NUMBER	FINISH
	23 :45° 24: 90	Table A	View Table 2 Pg. XX

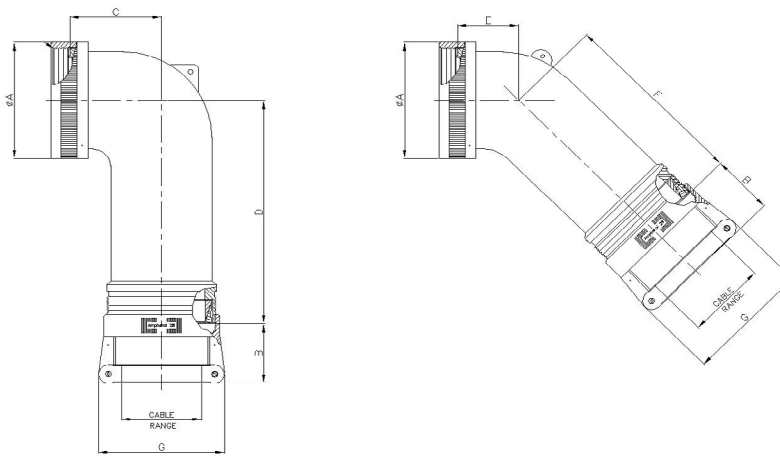


TABLE A																				
Shell Size Accessory	Dash Number	Shell Size Connector	A Dia. Max.		B Dia. Max.		C Max.		D Max.		E Max.		G Max.		F Max.		Cable Range			
																	Min.		Max.	
			inch	mm	inch	mm	inch	mm	inch	mm	inch	mm	inch	mm	inch	mm	inch	mm	inch	mm
8	3	8	0.62	15.67	1.03	26.9	0.67	17.02	1.26	32.00	0.63	16.00	1.25	31.75	0.96	24.31	0.13	3.18	0.25	6.35
10	4	10	0.73	18.64	1.03	26.9	0.76	19.30	1.98	50.29	0.69	17.53	1.92	48.77	0.96	24.31	0.13	3.18	0.31	7.92
	49*		0.73	18.64	1.03	26.9	1.52	38.61	2.00	50.80	1.50	38.10	1.98	50.29	1.15	29.8	0.25	6.35	0.44	11.10
	5		0.73	18.64	1.03	26.9	0.76	19.30	1.38	35.05	0.69	17.53	1.31	33.27	1.15	29.8	0.25	6.35	0.38	9.53
12	6	7/12	0.86	21.79	1.03	26.9	0.77	19.56	2.00	50.80	0.75	19.05	1.98	50.29	0.96	24.31	0.13	3.18	0.31	7.92
	71*		0.86	21.79	1.03	26.9	1.81	45.97	2.16	54.86	1.65	41.91	2.18	55.37	1.33	33.83	0.35	8.89	0.63	15.88
	7		0.86	21.79	1.03	26.9	0.77	19.56	2.00	50.80	0.75	19.05	1.98	50.29	1.15	29.8	0.25	6.35	0.44	11.10
	8		0.86	21.79	1.03	26.9	0.77	19.56	1.40	35.56	0.75	19.05	1.98	50.29	1.33	33.83	0.35	8.89	0.50	12.70
14	9	12/14	0.98	24.99	1.03	26.9	0.87	22.10	2.07	52.58	0.81	20.57	2.07	52.58	1.15	29.8	0.25	6.35	0.44	11.10
	10		0.98	24.99	1.03	26.9	0.87	22.10	1.72	43.69	0.81	20.57	1.72	43.69	1.33	33.83	0.35	8.89	0.58	14.61
	50*		0.98	24.99	1.06	26.90	1.89	48.01	2.33	59.18	1.84	46.74	2.37	60.20	1.55	39.40	0.50	12.70	0.75	19.05
	74		0.98	24.99	1.03	26.9	0.87	22.10	2.07	52.58	0.81	20.57	2.07	52.58	0.96	24.31	0.13	3.18	0.31	7.92
16	11	19/16	1.11	28.24	1.03	26.9	1.05	26.67	2.16	54.86	0.91	23.11	2.18	55.37	1.15	29.8	0.25	6.35	0.44	11.10
	12		1.11	28.24	1.06	26.90	1.05	26.67	1.81	45.97	0.91	23.11	1.82	46.23	1.55	39.40	0.50	12.70	0.70	17.78
	40		1.11	28.24	1.03	26.9	1.05	26.67	2.16	54.86	0.91	23.11	2.18	55.37	1.33	33.83	0.35	8.89	0.63	15.88
	51*		1.11	28.24	1.16	29.36	2.04	51.82	2.44	61.98	1.94	49.28	2.52	64.01	1.77	44.96	0.63	15.88	0.94	23.80
	75		1.11	28.24	1.03	26.9	1.05	26.67	2.16	54.86	0.91	23.11	2.18	55.37	0.96	24.31	0.13	3.18	0.31	7.92

NON-ENVIRONMENTAL EMI/RFI

90° & 45°; SPIN COUPLING

Connector Group J

26482 Series II; 5015 (MS345X); 83723 Series III

TABLE A																				
Shell Size Accessory	Dash Number	Shell Size Connector	A Dia. Max.		B Dia. Max.		C Max.		D Max.		E Max.		G Max.		F Max.		Cable Range			
																	Min.		Max.	
			inch	mm	inch	mm	inch	mm	inch	mm	inch	mm	inch	mm	inch	mm	inch	mm	inch	mm
18	13	27/18	1.22	30.94	1.03	26.9	1.14	28.96	2.33	59.18	1.9	27.69	2.37	60.20	1.33	33.83	0.35	8.89	0.63	15.88
	14		1.22	30.94	1.16	29.36	1.14	28.96	1.98	50.29	1.9	27.69	2.00	50.80	1.77	44.96	0.63	15.88	0.78	19.79
	41		1.22	30.94	1.03	26.9	1.14	28.96	2.33	59.18	1.9	27.69	2.37	60.20	0.96	24.31	0.13	3.18	0.31	7.92
	42		1.22	30.94	1.03	26.9	1.14	28.96	2.33	59.18	1.9	27.69	2.37	60.20	1.15	29.8	0.25	6.35	0.44	11.10
	52		1.22	30.94	1.06	26.90	1.14	28.96	2.33	59.18	1.9	27.69	2.37	60.20	1.55	39.40	0.50	12.70	0.75	19.05
	72*		1.22	30.94	1.16	29.36	2.05	52.07	2.44	61.98	1.94	49.28	2.52	64.01	1.77	44.96	0.63	15.88	0.94	23.80
20	15	37/20	1.35	34.16	1.03	26.9	1.14	28.96	2.33	59.18	1.9	27.69	2.37	60.20	1.33	33.83	0.35	8.89	0.63	15.88
	16		1.35	34.16	1.16	29.36	1.14	28.96	1.98	50.29	1.9	27.69	2.00	50.80	1.77	44.96	0.63	15.88	0.90	22.96
	43		1.35	34.16	1.03	26.9	1.14	28.96	2.33	59.18	1.9	27.69	2.37	60.20	1.15	29.8	0.25	6.35	0.44	11.10
	54		1.35	34.16	1.06	26.90	1.14	28.96	2.33	59.18	1.9	27.69	2.37	60.20	1.55	39.40	0.50	12.70	0.75	19.05
	55		1.35	34.16	1.38	34.93	2.14	54.36	2.61	66.29	2.06	52.32	2.57	65.28	2.11	53.67	0.88	22.23	1.25	31.75
22	17	22	1.47	37.29	1.06	26.90	1.29	32.77	2.44	61.98	1.19	30.23	2.52	64.01	1.55	39.40	0.50	12.70	0.75	19.05
	18		1.47	37.29	1.38	34.93	1.29	32.77	2.9	53.9	1.19	30.23	2.16	54.86	2.11	53.67	0.88	22.23	1.03	26.14
	44		1.47	37.29	1.03	26.9	1.29	32.77	2.44	61.98	1.19	30.23	2.52	64.01	0.96	24.31	0.13	3.18	0.31	7.92
	45		1.47	37.29	1.03	26.9	1.29	32.77	2.44	61.98	1.19	30.23	2.52	64.01	1.15	29.8	0.25	6.35	0.44	11.10
	56		1.47	37.29	1.03	26.9	1.29	32.77	2.44	61.98	1.19	30.23	2.52	64.01	1.33	33.83	0.35	8.89	0.63	15.88
	57		1.47	37.29	1.16	29.36	1.29	32.77	2.44	61.98	1.19	30.23	2.52	64.01	1.77	44.96	0.63	15.88	0.94	23.80
	58*		1.47	37.29	1.38	34.93	2.14	54.36	2.61	66.29	2.06	52.32	2.57	65.28	2.11	53.67	0.88	22.23	1.25	31.75
24	19	24	1.59	40.46	1.06	26.90	1.29	32.77	2.44	61.98	1.19	30.23	2.52	64.01	1.55	39.40	0.50	12.70	0.75	19.05
	20		1.59	40.46	1.38	34.93	1.29	32.77	2.9	53.9	1.19	30.23	2.16	54.86	2.11	53.67	0.88	22.23	1.14	29.06
	46		1.59	40.46	1.03	26.9	1.29	32.77	2.44	61.98	1.19	30.23	2.52	64.01	1.33	33.83	0.35	8.89	0.63	15.88
	59		1.59	40.46	1.16	29.36	1.29	32.77	2.44	61.98	1.19	30.23	2.52	64.01	1.77	44.96	0.63	15.88	0.94	23.80
	73*		1.59	40.46	1.38	34.93	2.15	54.61	2.61	66.29	2.06	52.32	2.57	65.28	2.12	53.75	0.88	22.23	1.25	31.75
28	21	28	1.97	50.01	1.16	29.36	1.39	35.31	2.61	66.29	1.31	33.27	2.57	65.28	1.77	44.96	0.63	15.88	0.94	23.80
	22		1.97	50.01	1.50	38.10	1.39	35.31	2.26	57.40	1.31	33.27	2.22	56.39	2.36	60.02	1.00	25.40	1.38	34.93
	60		1.97	50.01	1.06	26.90	1.39	35.31	2.61	66.29	1.31	33.27	2.57	65.28	1.55	39.40	0.50	12.70	0.75	19.05
	61		1.97	50.01	1.38	34.93	1.39	35.31	2.61	66.29	1.31	33.27	2.57	65.28	2.11	53.67	0.88	22.23	1.25	31.75
32	23	32	2.22	56.36	1.16	29.36	1.74	44.20	2.86	72.64	1.38	35.05	2.67	67.82	1.77	44.96	0.63	15.88	0.94	23.80
	24		2.22	56.36	1.38	34.93	1.74	44.20	2.86	72.64	1.38	35.05	2.67	67.82	2.11	53.67	0.88	22.23	1.25	31.75
	25		2.22	56.36	1.78	45.24	1.74	44.20	2.51	63.75	1.38	35.05	2.32	58.93	2.77	70.36	1.25	31.75	1.63	41.28
	62		2.22	56.36	1.50	38.10	1.74	44.20	2.86	72.64	1.38	35.05	2.67	67.82	2.36	60.02	1.00	25.40	1.38	34.93
36	26	36	2.47	62.71	1.16	29.36	1.94	49.28	2.83	71.88	1.41	35.81	2.76	70.10	1.77	44.96	0.63	15.88	0.94	23.80
	27		2.47	62.71	1.50	38.10	1.94	49.28	2.83	71.88	1.41	35.81	2.76	70.10	2.36	60.02	1.00	25.40	1.38	34.93
	28		2.47	62.71	1.83	46.48	1.94	49.28	2.48	62.99	1.41	35.81	2.41	61.21	3.02	76.71	1.44	36.50	1.84	46.74
	47		2.47	62.71	1.06	26.90	1.94	49.28	2.83	71.88	1.41	35.81	2.76	70.10	1.55	39.40	0.50	12.70	0.75	19.05
	63		2.47	62.71	1.38	34.93	1.94	49.28	2.83	71.88	1.41	35.81	2.76	70.10	2.11	53.67	0.88	22.23	1.25	31.75
	64		2.47	62.71	1.78	45.24	1.94	49.28	2.83	71.88	1.41	35.81	2.76	70.10	2.77	70.36	1.25	31.75	1.63	41.28
40	29	40	2.72	69.06	1.16	29.36	2.69	68.33	2.83	71.88	2.16	54.86	2.76	70.10	1.77	44.96	0.63	15.88	0.94	23.80
	30		2.72	69.06	1.50	38.10	2.69	68.33	2.83	71.88	2.16	54.86	2.76	70.10	2.36	60.02	1.00	25.40	1.38	34.93
	31		2.72	69.06	1.83	46.48	2.69	68.33	2.48	62.99	2.16	54.86	2.41	61.21	3.02	76.71	1.44	36.50	1.88	47.63
	48		2.72	69.06	1.06	26.90	1.94	49.28	2.83	71.88	2.16	54.86	2.76	70.10	1.55	39.40	0.50	12.70	0.75	19.05
	65		2.72	69.06	1.38	34.93	2.69	68.33	2.83	71.88	2.16	54.86	2.76	70.10	2.11	53.67	0.88	22.23	1.25	31.75
	66		2.72	69.06	1.78	45.24	2.69	68.33	2.83	71.88	2.16	54.86	2.76	70.10	2.77	70.36	1.25	31.75	1.63	41.28
44	32	44	2.97	75.41	1.16	29.36	2.69	68.33	2.83	71.88	2.16	54.86	2.76	70.10	1.77	44.96	0.63	15.88	0.94	23.80
	33		2.97	75.41	1.50	38.10	2.69	68.33	2.83	71.88	2.16	54.86	2.76	70.10	2.36	60.02	1.00	25.40	1.38	34.93
	34		2.97	75.41	1.83	46.48	2.69	68.33	2.48	62.99	2.16	54.86	2.41	61.21	3.02	76.71	1.44	36.50	1.88	47.63
	67		2.97	75.41	1.38	34.93	2.69	68.33	2.83	71.88	2.16	54.86	2.76	70.10	2.11	53.67	0.88	22.23	1.25	31.75
	68		2.97	75.41	1.78	45.24	2.69	68.33	2.83	71.88	2.16	54.86	2.76	70.10	2.77	70.36	1.25	31.75	1.63	41.28
48	35	48	3.22	81.76	1.16	29.36	2.69	68.33	2.83	71.88	2.16	54.86	2.76	70.10	1.77	44.96	0.63	15.88	0.94	23.80
	36		3.22	81.76	1.50	38.10	2.69	68.33	2.83	71.88	2.16	54.86	2.76	70.10	2.36	60.02	1.00	25.40	1.38	34.93
	37		3.22	81.76	1.83	46.48	2.69	68.33	2.48	62.99	2.16	54.86	2.41	61.21	3.02	76.71	1.44	36.50	1.88	47.63
	69		3.22	81.76	1.38	34.93	2.69	68.33	2.83	71.88	2.16	54.86	2.76	70.10	2.11	53.67	0.88	22.23	1.25	31.75
	70		3.22	81.76	1.78	45.24	2.69	68.33	2.83	71.88	2.16	54.86	2.76	70.10	2.77	70.36	1.25	31.75	1.63	41.28

NON-ENVIRONMENTAL EMI/RFI

STRAIGHT, SPIN COUPLING

Connector Group J

26482 Series II; 5015 (MS345X); 83723 Series III

M85049	/25	11	W	02	A
SERIES	SLASH SHEET	SHELL SIZE	FINISH	CLAMP SIZE	LENGTH
	25: Straight	Table A	View Table 2 Pg. XX	Table A	Table A Omit for "STD"

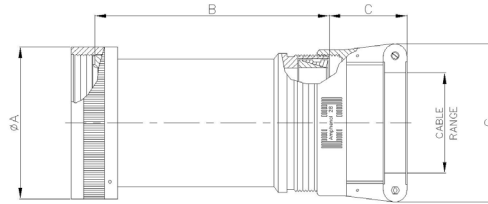


TABLE A														
Shell Size Accessory	Dash Number	Shell Size Connector	A Dia. Max.		B Dia. Max.		C Max.		G Max.		Cable Range			
											Min.		Max.	
			inch	mm	inch	mm	inch	mm	inch	mm	inch	mm	inch	mm
08	05	8	0.62	15.67	2.13	54.10	1.03	26.9	0.96	24.31	0.13	3.18	0.25	6.35
	06		0.62	15.67	3.13	79.50	1.03	26.9	0.96	24.31	0.13	3.18	0.25	6.35
	07*		0.62	15.67	2.88	73.15	1.03	26.9	1.15	29.8	0.25	6.35	0.44	11.10
	08*		0.62	15.67	3.88	98.55	1.03	26.9	1.15	29.8	0.25	6.35	0.44	11.10
10	09	10	0.73	18.64	2.13	54.10	1.03	26.9	0.96	24.31	0.13	3.18	0.31	7.92
	10		0.73	18.64	3.13	79.50	1.03	26.9	0.96	24.31	0.13	3.18	0.31	7.92
	11*		0.73	18.64	2.88	73.15	1.03	26.9	1.15	29.8	0.25	6.35	0.44	11.10
	12*		0.73	18.64	3.88	98.55	1.03	26.9	1.15	29.8	0.25	6.35	0.44	11.10
	136		0.73	18.64	2.13	54.10	1.03	26.9	1.15	29.8	0.25	6.35	0.38	9.53
	137		0.73	18.64	3.13	79.50	1.03	26.9	1.15	29.8	0.25	6.35	0.38	9.53
12	13	7/12	0.86	21.79	2.13	54.10	1.03	26.9	1.15	29.8	0.25	6.35	0.44	11.10
	14		0.86	21.79	3.13	79.50	1.03	26.9	1.15	29.8	0.25	6.35	0.44	11.10
	15*		0.86	21.79	2.88	73.15	1.03	26.9	1.33	33.83	0.35	8.89	0.63	15.88
	16*		0.86	21.79	3.88	98.55	1.03	26.9	1.33	33.83	0.35	8.89	0.63	15.88
	111		0.86	21.79	2.13	54.10	1.03	26.9	1.33	33.83	0.35	8.89	0.50	12.70
	114		0.86	21.79	2.13	54.10	1.03	26.9	0.96	24.31	0.13	3.18	0.31	7.92
	115		0.86	21.79	3.13	79.50	1.03	26.9	0.96	24.31	0.13	3.18	0.31	7.92
	138		0.86	21.79	2.13	54.10	1.03	26.9	1.33	33.83	0.35	8.89	0.50	12.70
14	139	12/14	0.86	21.79	3.13	79.50	1.03	26.9	1.33	33.83	0.35	8.89	0.50	12.70
	17		0.98	24.99	2.13	54.10	1.03	26.9	1.33	33.83	0.35	8.89	0.58	14.61
	18		0.98	24.99	3.13	79.50	1.03	26.9	1.33	33.83	0.35	8.89	0.58	14.61
	19*		0.98	24.99	2.88	73.15	1.06	26.90	1.55	39.40	0.50	12.70	0.75	19.05
	20*		0.98	24.99	3.88	98.55	1.06	26.90	1.55	39.40	0.50	12.70	0.75	19.05
	116		0.98	24.99	2.13	54.10	1.03	26.9	1.15	29.8	0.25	6.35	0.44	11.10
	117		0.98	24.99	3.13	79.50	1.03	26.9	1.15	29.8	0.25	6.35	0.44	11.10
	150		0.98	24.99	2.13	54.10	1.03	26.9	0.96	24.31	0.13	3.18	0.31	7.92
16	151	19/16	0.98	24.99	3.13	79.50	1.03	26.9	0.96	24.31	0.13	3.18	0.31	7.92
	21		1.11	28.24	2.13	54.10	1.06	26.90	1.55	39.40	0.50	12.70	0.70	17.78
	22		1.11	28.24	3.13	79.50	1.06	26.90	1.55	39.40	0.50	12.70	0.70	17.78
	23*		1.11	28.24	2.88	73.15	1.16	29.36	1.77	44.96	0.63	15.88	0.94	23.80
	24*		1.11	28.24	3.88	98.55	1.16	29.36	1.77	44.96	0.63	15.88	0.94	23.80
	112		1.11	28.24	2.13	54.10	1.03	26.9	1.15	29.8	0.25	6.35	0.44	11.10
	113		1.11	28.24	3.13	79.50	1.03	26.9	1.15	29.8	0.25	6.35	0.44	11.10
	118		1.11	28.24	2.13	54.10	1.03	26.9	1.33	33.83	0.35	8.89	0.63	15.88
	119		1.11	28.24	3.13	79.50	1.03	26.9	1.33	33.83	0.35	8.89	0.63	15.88
	152		1.11	28.24	2.13	54.10	1.03	26.9	0.96	24.31	0.13	3.18	0.31	7.92
153	1.11	28.24	3.13	79.50	1.03	26.9	0.96	24.31	0.13	3.18	0.31	7.92		

NON-ENVIRONMENTAL EMI/RFI

STRAIGHT, SPIN COUPLING

Connector Group J

26482 Series II; 5015 (MS345X); 83723 Series III

TABLE A														
Shell Size Accessory	Dash Number	Shell Size Connector	A Dia. Max.		B Dia. Max.		C Max.		G Max.		Cable Range			
											Min.		Max.	
			inch	mm	inch	mm	inch	mm	inch	mm	inch	mm	inch	mm
18	25	27/18	1.22	30.94	2.13	54.10	1.03	26.9	1.33	33.83	0.35	8.89	0.63	15.88
	26		1.22	30.94	3.13	79.50	1.03	26.9	1.33	33.83	0.35	8.89	0.63	15.88
	27		1.22	30.94	2.13	54.10	1.06	26.90	1.55	39.40	0.50	12.70	0.75	19.05
	28		1.22	30.94	3.13	79.50	1.06	26.90	1.55	39.40	0.50	12.70	0.75	19.05
	29*		1.22	30.94	2.88	73.15	1.16	29.36	1.77	44.96	0.63	15.88	0.94	23.80
	30*		1.22	30.94	3.88	98.55	1.16	29.36	1.77	44.96	0.63	15.88	0.94	23.80
	120		1.22	30.94	2.13	54.10	1.03	26.9	0.96	24.31	0.13	3.18	0.31	7.92
	121		1.22	30.94	3.13	79.50	1.03	26.9	0.96	24.31	0.13	3.18	0.31	7.92
	122		1.22	30.94	2.13	54.10	1.03	26.9	1.15	29.8	0.25	6.35	0.44	11.10
	123		1.22	30.94	3.13	79.50	1.03	26.9	1.15	29.8	0.25	6.35	0.44	11.10
20	31	37/20	1.35	34.16	3.13	79.50	1.03	26.9	1.33	33.83	0.35	8.89	0.63	15.88
	32		1.35	34.16	4.13	104.90	1.03	26.9	1.33	33.83	0.35	8.89	0.63	15.88
	33		1.35	34.16	3.13	79.50	1.06	26.90	1.55	39.40	0.50	12.70	0.75	19.05
	34		1.35	34.16	4.13	104.90	1.06	26.90	1.55	39.40	0.50	12.70	0.75	19.05
	35*		1.35	34.16	3.88	98.55	1.16	29.36	1.77	44.96	0.63	15.88	0.94	23.80
	36*		1.35	34.16	4.88	123.95	1.16	29.36	1.77	44.96	0.63	15.88	0.94	23.80
	37*		1.35	34.16	3.88	98.55	1.38	34.93	2.11	53.67	0.88	22.23	1.25	31.75
	38*		1.35	34.16	4.88	123.95	1.38	34.93	2.11	53.67	0.88	22.23	1.25	31.75
	124		1.35	34.16	3.13	79.50	1.03	26.9	1.15	29.8	0.25	6.35	0.44	11.10
	125		1.35	34.16	4.13	104.90	1.03	26.9	1.15	29.8	0.25	6.35	0.44	11.10
22	39	22	1.47	37.29	3.13	79.50	1.03	26.9	1.33	33.83	0.35	8.89	0.63	15.88
	40		1.47	37.29	4.13	104.90	1.03	26.9	1.33	33.83	0.35	8.89	0.63	15.88
	41		1.47	37.29	3.13	79.50	1.06	26.90	1.55	39.40	0.50	12.70	0.75	19.05
	42		1.47	37.29	4.13	104.90	1.06	26.90	1.55	39.40	0.50	12.70	0.75	19.05
	43		1.47	37.29	3.13	79.50	1.16	29.36	1.77	44.96	0.63	15.88	0.94	23.80
	44		1.47	37.29	4.13	104.90	1.16	29.36	1.77	44.96	0.63	15.88	0.94	23.80
	45*		1.47	37.29	3.88	98.55	1.38	34.93	2.11	53.67	0.88	22.23	1.25	31.75
	46*		1.47	37.29	4.88	123.95	1.38	34.93	2.11	53.67	0.88	22.23	1.25	31.75
	126		1.47	37.29	3.13	79.50	1.03	26.9	0.96	24.31	0.13	3.18	0.31	7.92
	127		1.47	37.29	4.13	104.90	1.03	26.9	0.96	24.31	0.13	3.18	0.31	7.92
24	47	24	1.59	40.46	3.13	79.50	1.06	26.90	1.55	39.40	0.50	12.70	0.75	19.05
	48		1.59	40.46	4.13	104.90	1.06	26.90	1.55	39.40	0.50	12.70	0.75	19.05
	49		1.59	40.46	3.13	79.50	1.16	29.36	1.77	44.96	0.63	15.88	0.81	20.62
	50		1.59	40.46	4.13	104.90	1.16	29.36	1.77	44.96	0.63	15.88	0.81	20.62
	51		1.59	40.46	3.13	79.50	1.16	29.36	1.77	44.96	0.63	15.88	0.94	23.80
	52		1.59	40.46	4.13	104.90	1.16	29.36	1.77	44.96	0.63	15.88	0.94	23.80
	53*		1.59	40.46	3.88	98.55	1.38	34.93	2.11	53.67	0.88	22.23	1.25	31.75
	54*		1.59	40.46	4.88	123.95	1.38	34.93	2.11	53.67	0.88	22.23	1.25	31.75
	130		1.59	40.46	3.13	79.50	1.03	26.9	1.33	33.83	0.35	8.89	0.63	15.88
	131		1.59	40.46	4.13	104.90	1.03	26.9	1.33	33.83	0.35	8.89	0.63	15.88
28	144	28	1.59	40.46	3.13	79.50	1.38	34.93	2.11	53.67	0.88	22.23	1.14	29.06
	145		1.59	40.46	4.13	104.90	1.38	34.93	2.11	53.67	0.88	22.23	1.14	29.06
	55		1.97	50.01	3.13	79.50	1.06	26.90	1.55	39.40	0.50	12.70	0.75	19.05
	56		1.97	50.01	4.13	104.90	1.06	26.90	1.55	39.40	0.50	12.70	0.75	19.05
28	57	28	1.97	50.01	3.13	79.50	1.16	29.36	1.77	44.96	0.63	15.88	0.94	23.80
	58		1.97	50.01	4.13	104.90	1.16	29.36	1.77	44.96	0.63	15.88	0.94	23.80

NON-ENVIRONMENTAL EMI/RFI

STRAIGHT, SPIN COUPLING

Connector Group J

26482 Series II; 5015 (MS345X); 83723 Series III

TABLE A														
Shell Size Accessory	Dash Number	Shell Size Connector	A Dia. Max.		B Dia. Max.		C Max.		G Max.		Cable Range			
			inch	mm	inch	mm	inch	mm	inch	mm	Min.		Max.	
											inch	mm	inch	mm
28, cont.	59	28	1.97	50.01	3.13	79.50	1.38	34.93	2.11	53.67	0.88	22.23	1.25	31.75
	60		1.97	50.01	4.13	104.90	1.38	34.93	2.11	53.67	0.88	22.23	1.25	31.75
	61		1.97	50.01	3.13	79.50	1.50	38.10	23.63	600.20	1.00	25.40	1.38	34.93
	62		1.97	50.01	4.13	104.90	1.50	38.10	2.36	60.02	1.00	25.40	1.38	34.93
32	63	32	2.22	56.36	3.13	79.50	1.16	29.36	1.77	44.96	0.63	15.88	0.94	23.80
	64		2.22	56.36	4.13	104.90	1.16	29.36	1.77	44.96	0.63	15.88	0.94	23.80
	65		2.22	56.36	3.13	79.50	1.38	34.93	2.11	53.67	0.88	22.23	1.25	31.75
	66		2.22	56.36	4.13	104.90	1.38	34.93	2.11	53.67	0.88	22.23	1.25	31.75
	67		2.22	56.36	3.13	79.50	1.50	38.10	2.36	60.02	1.00	25.40	1.38	34.93
	68		2.22	56.36	4.13	104.90	1.50	38.10	2.36	60.02	1.00	25.40	1.38	34.93
	69		2.22	56.36	3.13	79.50	1.78	45.24	2.77	70.36	1.25	31.75	1.63	41.28
	70		2.22	56.36	4.13	104.90	1.78	45.24	2.77	70.36	1.25	31.75	1.63	41.28
36	71	36	2.47	62.71	4.13	104.90	1.38	34.93	2.11	53.67	0.88	22.23	1.25	31.75
	72		2.47	62.71	5.13	130.30	1.38	34.93	2.11	53.67	0.88	22.23	1.25	31.75
	73		2.47	62.71	4.13	104.90	1.50	38.10	2.36	60.02	1.00	25.40	1.38	34.93
	74		2.47	62.71	5.13	130.30	1.50	38.10	2.36	60.02	1.00	25.40	1.38	34.93
	75		2.47	62.71	4.13	104.90	1.78	45.24	2.77	70.36	1.25	31.75	1.63	41.28
	76		2.47	62.71	5.13	130.30	1.78	45.24	2.77	70.36	1.25	31.75	1.63	41.28
	77*		2.47	62.71	5.01	127.25	1.83	46.48	3.02	76.71	1.44	36.50	1.88	47.63
	78*		2.47	62.71	6.01	152.65	1.83	46.48	3.02	76.71	1.44	36.50	1.88	47.63
	132		2.47	62.71	4.13	104.90	1.06	26.90	1.55	39.40	0.50	12.70	0.75	19.05
	133		2.47	62.71	5.13	130.30	1.06	26.90	1.55	39.40	0.50	12.70	0.75	19.05
	146		2.47	62.71	4.13	104.90	1.83	46.48	3.02	76.71	1.44	36.50	1.84	46.74
	147		2.47	62.71	5.13	130.30	1.83	46.48	3.02	76.71	1.44	36.50	1.84	46.74
	148		2.47	62.71	4.13	104.90	1.16	29.36	1.77	44.96	0.63	15.88	0.94	23.80
	149		2.47	62.71	5.13	130.30	1.16	29.36	1.77	44.96	0.63	15.88	0.94	23.80
40	79	40	2.72	69.06	4.13	104.90	1.38	34.93	2.11	53.67	0.88	22.23	1.25	31.75
	80		2.72	69.06	5.13	130.30	1.38	34.93	2.11	53.67	0.88	22.23	1.25	31.75
	81		2.72	69.06	4.13	104.90	1.50	38.10	2.36	60.02	1.00	25.40	1.38	34.93
	82		2.72	69.06	5.13	130.30	1.50	38.10	2.36	60.02	1.00	25.40	1.38	34.93
	83		2.72	69.06	4.13	104.90	1.78	45.24	2.77	70.36	1.25	31.75	1.63	41.28
	84		2.72	69.06	5.13	130.30	1.78	45.24	2.77	70.36	1.25	31.75	1.63	41.28
	85		2.72	69.06	4.13	104.90	1.83	46.48	3.02	76.71	1.44	36.50	1.88	47.63
	86		2.72	69.06	5.13	130.30	1.83	46.48	3.02	76.71	1.44	36.50	1.88	47.63
	134		2.72	69.06	4.13	104.90	1.06	26.90	1.55	39.40	0.50	12.70	0.75	19.05
	135		2.72	69.06	5.13	130.30	1.06	26.90	1.55	39.40	0.50	12.70	0.75	19.05
	156		2.72	69.06	4.13	104.90	1.16	29.36	1.77	44.96	0.63	15.88	0.94	23.80
44	87	44	2.97	75.41	4.13	104.90	1.38	34.93	2.11	53.67	0.88	22.23	1.25	31.75
	88		2.97	75.41	5.13	130.30	1.38	34.93	2.11	53.67	0.88	22.23	1.25	31.75
	89		2.97	75.41	4.13	104.90	1.50	38.10	2.36	60.02	1.00	25.40	1.38	34.93
	90		2.97	75.41	5.13	130.30	1.50	38.10	2.36	60.02	1.00	25.40	1.38	34.93
	91		2.97	75.41	4.13	104.90	1.78	45.24	2.77	70.36	1.25	31.75	1.63	41.28
	92		2.97	75.41	5.13	130.30	1.78	45.24	2.77	70.36	1.25	31.75	1.63	41.28
	93		2.97	75.41	4.13	104.90	1.83	46.48	3.02	76.71	1.44	36.50	1.88	47.63
	94		2.97	75.41	5.13	130.30	1.83	46.48	3.02	76.71	1.44	36.50	1.88	47.63
	154		2.97	75.41	4.13	104.90	1.16	29.36	1.77	44.96	0.63	15.88	0.94	23.80
	155		2.97	75.41	5.13	130.30	1.16	29.36	1.77	44.96	0.63	15.88	0.94	23.80
48	95	48	3.22	81.76	4.13	104.90	1.38	34.93	2.11	53.67	0.88	22.23	1.25	31.75
	96		3.22	81.76	5.13	130.30	1.38	34.93	2.11	53.67	0.88	22.23	1.25	31.75
	97		3.22	81.76	4.13	104.90	1.50	38.10	2.36	60.02	1.00	25.40	1.38	34.93
	98		3.22	81.76	5.13	130.30	1.50	38.10	2.36	60.02	1.00	25.40	1.38	34.93
	99		3.22	81.76	4.13	104.90	1.78	45.24	2.77	70.36	1.25	31.75	1.63	41.28
	100		3.22	81.76	5.13	130.30	1.78	45.24	2.77	70.36	1.25	31.75	1.63	41.28
	101		3.22	81.76	4.13	104.90	1.83	46.48	3.02	76.71	1.44	36.50	1.88	47.63
	102		3.22	81.76	5.13	130.30	1.83	46.48	3.02	76.71	1.44	36.50	1.88	47.63

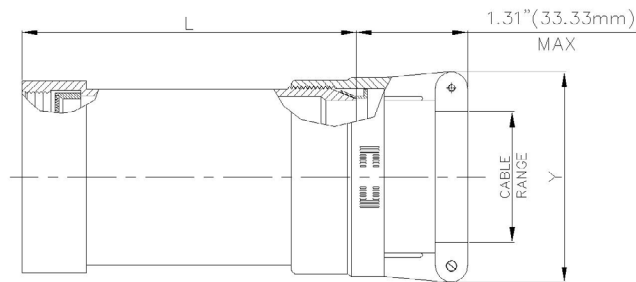
NON-ENVIRONMENTAL EMI/RFI

STRAIGHT; DIRECT COUPLING

Connector Group K

38999 Series I & Series II

M85049	/36	10	W	03	A
SERIES	SLASH SHEET	Shell Size	FINISH	CLAMP SIZE	LENGTH
	36: Straight, Direct Coupling	Table A	View Table 2 Pg. XX	Table A	Table A Omit For "STD"



Shell Size Accessory	Clamp Size	Length	Shell Size Connector	Cable Range				L Max.		Y Max.	
				Min.		Max.		inch	mm	inch	mm
				inch	mm	inch	mm				
08	01	STD.	8 / 9	0.06	1.57	0.13	3.18	1.53	38.86	0.78	19.81
		A						2.53	64.26		
	02	STD.		0.13	3.18	0.25	6.35	1.53	38.86	0.97	24.64
		A						2.53	64.26		
10	01	STD.	10 / 11	0.06	1.57	0.13	3.18	1.53	38.86	0.78	19.81
		A						2.53	64.26		
	02	STD.		0.13	3.18	0.25	6.35	1.53	38.86	0.97	24.64
		A						2.53	64.26		
	03	STD.		0.25	6.35	0.38	9.53	1.53	38.86	1.06	26.92
		A						2.53	64.26		
12	02	STD.	12 / 13	0.13	3.18	0.25	6.35	1.53	38.86	0.97	24.64
		A						2.53	64.26		
	03	STD.		0.25	6.35	0.38	9.53	1.53	38.86	1.06	26.92
		A						2.53	64.26		
	04	STD.		0.31	7.92	0.50	12.70	1.53	38.86	1.16	29.46
		A						2.53	64.26		
14	02	STD.	14 / 15	0.13	3.18	0.25	6.35	1.53	38.86	0.97	24.64
		A						2.53	64.26		
		B						3.53	89.66		
	03	STD.		0.25	6.35	0.38	9.53	1.53	38.86	1.06	26.92
		A						2.53	64.26		
		B						3.53	89.66		
	04	STD.		0.31	7.92	0.50	12.70	1.53	38.86	1.16	29.46
		A						2.53	64.26		
		B						3.53	89.66		
	05	STD.		0.44	11.10	0.63	15.88	1.53	38.86	1.25	31.75
		A						2.53	64.26		
		B						3.53	89.66		

NON-ENVIRONMENTAL EMI/RFI

STRAIGHT; DIRECT COUPLING 38999 Series I & Series II

Connector Group K

TABLE A											
Shell Size Accessory	Clamp Size	Length	Shell Size Connector	Cable Range				L Max.		Y Max.	
				Min.		Max.		inch	mm	inch	mm
				inch	mm	inch	mm				
22	03	STD.	22 / 23	0.25	6.35	0.38	9.53	1.53	38.86	1.06	26.92
		A						2.53	64.26		
		B						3.53	89.66		
		C						4.53	115.06		
	04	STD.		0.31	7.92	0.50	12.70	1.53	38.86	1.16	29.46
		A						2.53	64.26		
		B						3.53	89.66		
		C						4.53	115.06		
	05	STD.		0.44	11.10	0.63	15.88	1.53	38.86	1.25	31.75
		A						2.53	64.26		
		B						3.53	89.66		
		C						4.53	115.06		
	06	STD.		0.56	14.27	0.75	19.05	1.53	38.86	1.38	35.05
		A						2.53	64.26		
		B						3.53	89.66		
		C						4.53	115.06		
	07	STD.		0.69	17.45	0.88	22.23	1.53	38.86	1.50	38.10
		A						2.53	64.26		
		B						3.53	89.66		
		C						4.53	115.06		
	8	STD.		0.81	20.62	1.00	25.40	1.53	38.86	1.63	41.40
		A						2.53	64.26		
		B						3.53	89.66		
		C						4.53	115.06		
	9	STD.		0.94	23.80	1.13	28.58	1.53	38.86	1.75	44.45
		A						2.53	64.26		
		B						3.53	89.66		
		C						4.53	115.06		
24	04	STD.	24 / 25	0.31	7.92	0.50	12.70	1.53	38.86	1.16	29.46
		A						2.53	64.26		
		B						3.53	89.66		
		C						4.53	115.06		
	05	STD.		0.44	11.10	0.63	15.88	1.53	38.86	1.25	31.75
		A						2.53	64.26		
		B						3.53	89.66		
		C						4.53	115.06		
	06	STD.		0.56	14.27	0.75	19.05	1.53	38.86	1.38	35.05
		A						2.53	64.26		
		B						3.53	89.66		
		C						4.53	115.06		
	07	STD.		0.69	17.45	0.88	22.23	1.53	38.86	1.50	38.10
		A						2.53	64.26		
		B						3.53	89.66		
		C						4.53	115.06		
	8	STD.		0.81	20.62	1.00	25.40	1.53	38.86	1.63	41.40
		A						2.53	64.26		
		B						3.53	89.66		
		C						4.53	115.06		
	9	STD.		0.94	23.80	1.13	28.58	1.53	38.86	1.75	44.45
		A						2.53	64.26		
		B						3.53	89.66		
		C						4.53	115.06		
	10	STD.		1.06	26.97	1.25	31.75	1.53	38.86	1.88	47.75
		A						2.53	64.26		
		B						3.53	89.66		
		C						4.53	115.06		

NON-ENVIRONMENTAL EMI/RFI

STRAIGHT; DIRECT COUPLING 38999 Series I & Series II

Connector Group K

TABLE A											
Shell Size Accessory	Clamp Size	Length	Shell Size Connector	Cable Range				L Max.		Y Max.	
				Min.		Max.		inch	mm	inch	mm
				inch	mm	inch	mm				
16	02	STD.	16 / 17	0.13	3.18	0.25	6.35	1.53	38.86	0.97	24.64
		A						2.53	64.26		
		B						3.53	89.66		
	03	STD.		0.25	6.35	0.38	9.53	1.53	38.86	1.06	26.92
		A						2.53	64.26		
		B						3.53	89.66		
	04	STD.		0.31	7.92	0.50	12.70	1.53	38.86	1.16	29.46
		A						2.53	64.26		
		B						3.53	89.66		
	05	STD.		0.44	11.10	0.63	15.88	1.53	38.86	1.25	31.75
		A						2.53	64.26		
		B						3.53	89.66		
06	STD.	0.56	14.27	0.75	19.05	1.53	38.86	1.38	35.05		
	A					2.53	64.26				
	B					3.53	89.66				
18	03	STD.	18 / 19	0.25	6.35	0.38	9.53	1.53	38.86	1.06	26.92
		A						2.53	64.26		
		B						3.53	89.66		
	04	STD.		0.31	7.92	0.50	12.70	1.53	38.86	1.16	29.46
		A						2.53	64.26		
		B						3.53	89.66		
	05	STD.		0.44	11.10	0.63	15.88	1.53	38.86	1.25	31.75
		A						2.53	64.26		
		B						3.53	89.66		
	06	STD.		0.56	14.27	0.75	19.05	1.53	38.86	1.38	35.05
		A						2.53	64.26		
		B						3.53	89.66		
07	STD.	0.69	17.45	0.88	22.23	1.53	38.86	1.50	38.10		
	A					2.53	64.26				
	B					3.53	89.66				
20	03	STD.	20 / 21	0.25	6.35	0.38	9.53	1.53	38.86	1.06	26.92
		A						2.53	64.26		
		B						3.53	89.66		
		C						4.53	115.06		
	04	STD.		0.31	7.92	0.50	12.70	1.53	38.86	1.16	29.46
		A						2.53	64.26		
		B						3.53	89.66		
		C						4.53	115.06		
	05	STD.		0.44	11.10	0.63	15.88	1.53	38.86	1.25	31.75
		A						2.53	64.26		
		B						3.53	89.66		
		C						4.53	115.06		
	06	STD.		0.56	14.27	0.75	19.05	1.53	38.86	1.38	35.05
		A						2.53	64.26		
		B						3.53	89.66		
		C						4.53	115.06		
	07	STD.		0.69	17.45	0.88	22.23	1.53	38.86	1.50	38.10
		A						2.53	64.26		
B		3.53	89.66								
C		4.53	115.06								
8	STD.	0.81	20.62	1.00	25.40	1.53	38.86	1.63	41.40		
	A					2.53	64.26				
	B					3.53	89.66				
	C					4.53	115.06				

PRE-SHIELD ADAPTER

STRAIGHT; 90°; SPIN COUPLING; SELF-LOCK W/ SHIELD

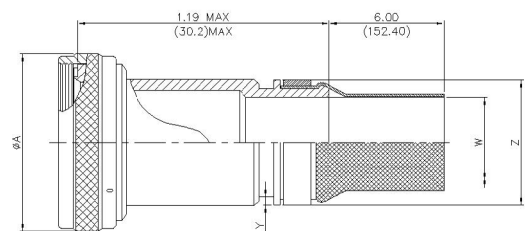
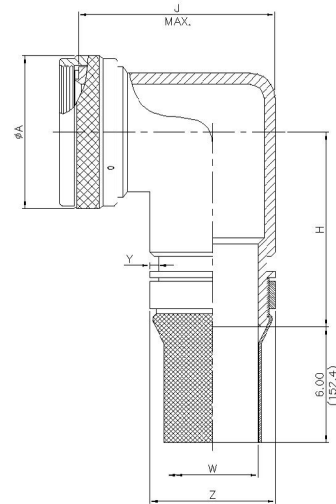
Connector Group K

38999 Series I & Series II

M85049	/109	S	10	T	W	03	-6	D
SERIES	SLASH SHEET	COUPLING	SHELL SIZE	SHIELD FINISH	FINISH	ENTRY SIZE	SHIELD LENGTH	D: Drain Hole
	109: Straight 11q: 90°	-:Spin Coupling S:Self-Lock	Table A	(Material: Copper) K: Nickel T: Tin	View Table 2 Pg. XX	Table A & B	6 inches min. 18 inches max. 1 inch increments 6: 6 inch, 7: 7 inch etc.	

Shell Size Accessory	Entry Size		Shell Size Connector SE-II/I	A Dia. Max.		H Max.		J Max.	
	Min.	Max.		inch	mm	inch	mm	inch	mm
				inch	mm	inch	mm	inch	mm
08	-	01	8	0.885	22.48	1.73	43.94	1.12	28.45
10	01	03	10	1.010	25.65	1.85	46.99	1.25	31.75
12	01	05	7/12	1.135	28.83	1.87	47.50	1.38	35.05
14	02	06	12/14	1.260	32.00	1.94	49.28	1.44	36.58
16	04	08	19/16	1.385	35.18	2.03	51.56	1.56	39.62
18	05	09	27/18	1.510	38.35	2.20	55.88	1.75	44.45
20	07	11	37/20	1.635	41.53	2.20	55.88	1.75	44.45
22	09	13	22	1.760	44.70	2.31	58.67	2.00	50.80
24	11	14	24	1.885	47.88	2.31	58.67	2.00	50.80
28	14	16	28	2.135	54.23	2.48	62.99	2.25	57.15
32	16	17	32	2.395	60.83	2.73	69.34	2.75	69.85
36	17	19	36	2.635	66.93	2.73	69.34	3.125	79.38
40	19	21	40	2.885	73.28	2.88	73.15	4.125	104.78
44	21	23	44	3.135	79.63	3.00	76.20	4.125	104.78
48	23	25	48	3.385	85.98	3.12	79.25	4.125	104.78

Entry Size	W		Y		Z	
	Min.	Max.	Min.	Max.	Min.	Max.
	inch	mm	inch	mm	inch	mm
01	0.250	6.350	0.044	1.12	0.56	14.22
02	0.312	7.920	0.044	1.12	0.63	16.00
03	0.375	9.530	0.044	1.12	0.69	17.53
04	0.438	11.130	0.044	1.12	0.75	19.05
05	0.500	12.700	0.044	1.12	0.82	20.83
06	0.562	14.270	0.044	1.12	0.89	22.61
07	0.625	15.880	0.044	1.12	0.95	24.13
08	0.688	17.480	0.044	1.12	1.02	25.91
09	0.750	19.050	0.069	1.75	1.07	27.18
10	0.812	20.620	0.069	1.75	1.13	28.70
11	0.875	22.230	0.069	1.75	1.19	30.23
12	0.938	23.830	0.069	1.75	1.26	32.00
13	1.000	25.400	0.069	1.75	1.32	33.53
14	1.125	28.575	0.069	1.75	1.47	37.34
15	1.250	31.750	0.069	1.75	1.60	40.64
16	1.375	34.930	0.069	1.75	1.71	43.43
17	1.500	38.100	0.086	2.18	1.84	46.74
18	1.625	41.280	0.086	2.18	2.00	50.80
19	1.750	44.450	0.086	2.18	2.12	53.85
20	1.875	47.630	0.086	2.18	2.27	57.66
21	2.000	50.800	0.086	2.18	2.44	61.98
22	2.125	53.980	0.086	2.18	2.60	66.04
23	2.250	57.150	0.086	2.18	2.75	69.85
24	2.375	60.325	0.086	2.18	2.90	73.66
25	2.500	63.500	0.086	2.18	3.06	77.72



PRE-SHIELD ADAPTER

STRAIGHT; 90°; SPIN COUPLING; SELF-LOCK W/ SHIELD

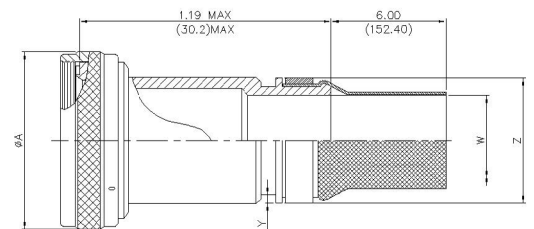
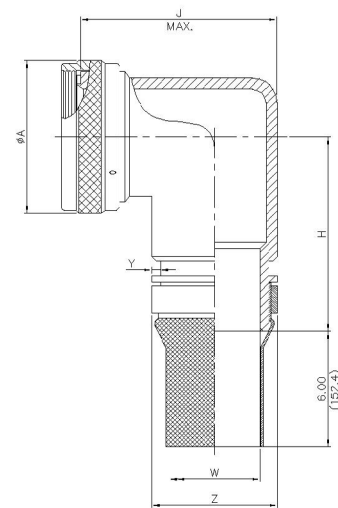
Connector Group K

38999 Series I & Series II

M85049	/112	S	10	T	W	03	-6	D
SERIES	SLASH SHEET	COUPLING	SHELL SIZE	SHIELD FINISH	FINISH	ENTRY SIZE	SHIELD LENGTH	D: Drain Hole
	112: Straight 114: 90°	-:Spin Coupling S:Self-Lock	Table A	(Material: Copper) K: Nickel T: Tin	View Table 2 Pg. XX	Table A & B	6 inches min. 18 inches max. 1 inch increments 6: 6 inch, 7: 7 inch etc.	

TABLE-A									
Shell Size Accessory	Entry Size		Shell Size Connector SE-II/I	A Dia. Max.		H Max.		J Max.	
	Min.	Max.		inch	mm	inch	mm	inch	mm
08	-	01	8/9	0.860	21.84	1.73	43.94	1.07	27.18
10	01	03	10/11	0.980	24.89	1.85	46.99	1.19	30.23
12	01	05	12/13	1.160	29.46	1.87	47.50	1.32	33.53
14	03	07	14/15	1.280	32.51	1.94	49.28	1.44	36.58
16	05	9	16/17	1.410	35.81	2.03	51.56	1.57	39.88
18	06	10	18/19	1.520	38.61	2.20	55.88	1.75	44.45
20	8	12	20/21	1.640	41.66	2.20	55.88	1.75	44.45
22	9	13	22/23	1.770	44.96	2.31	58.67	2.00	50.80
24	10	14	24/25	1.890	48.01	2.31	58.67	2.00	50.80

TABLE B						
Entry Size	W		Y		Z	
	Min.	Max.	Min.	Max.	Min.	Max.
	inch	mm	inch	mm	inch	mm
01	0.250	6.350	0.044	1.12	0.56	14.22
02	0.312	7.920	0.044	1.12	0.63	16.00
03	0.375	9.530	0.044	1.12	0.69	17.53
04	0.438	11.130	0.044	1.12	0.75	19.05
05	0.500	12.700	0.044	1.12	0.82	20.83
06	0.562	14.270	0.044	1.12	0.89	22.61
07	0.625	15.880	0.044	1.12	0.95	24.13
08	0.688	17.480	0.044	1.12	1.02	25.91
09	0.750	19.050	0.069	1.75	1.07	27.18
10	0.812	20.620	0.069	1.75	1.13	28.70
11	0.875	22.230	0.069	1.75	1.19	30.23
12	0.938	23.830	0.069	1.75	1.26	32.00
13	1.000	25.400	0.069	1.75	1.32	33.53
14	1.125	28.575	0.069	1.75	1.47	37.34



PRE-SHIELD ADAPTER

STRAIGHT; 90°; SPIN COUPLING; SELF-LOCK W/ SHIELD

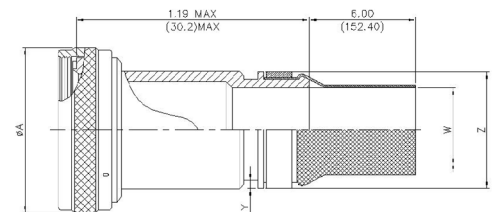
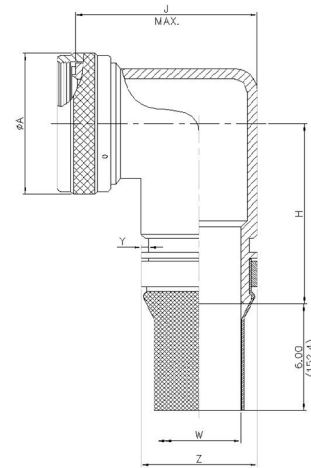
Connector Group L

38999 Series III & Series IV

M85049	/115	-	11	T	W	03	-6	D
SERIES	SLASH SHEET	COUPLING	SHELL SIZE	SHIELD FINISH	FINISH	ENTRY SIZE	SHIELD LENGTH	D: Drain Hole
	115: Straight 117: 90°	--Spin Coupling S: Self-Lock	Table A	(Material: Copper) K: Nickel T: Tin	View Table 2 Pg. XX	Table A & B	6 inches min. 18 inches max. 1 inch increments	

TABLE A									
Shell Size Accessory	Entry Size		Shell Size Connector SE-II/I	A Dia. Max.		H Max.		J Max.	
	Min.	Max.		inch	mm	inch	mm	inch	mm
8	-	01	8/9	0.860	21.84	1.73	43.94	1.07	27.18
10	01	03	10/11	0.980	24.89	1.85	46.99	1.19	30.23
12	01	05	12/13	1.160	29.46	1.87	47.50	1.32	33.53
14	03	07	14/15	1.280	32.51	1.94	49.28	1.44	36.58
16	05	9	16/17	1.410	35.81	2.03	51.56	1.57	39.88
18	06	10	18/19	1.520	38.61	2.20	55.88	1.75	44.45
20	8	12	20/21	1.640	41.66	2.20	55.88	1.75	44.45
22	9	13	22/23	1.770	44.96	2.31	58.67	2.00	50.80
24	10	14	24/25	1.890	48.01	2.31	58.67	2.00	50.80

TABLE B						
Entry Size	W		Y		Z	
	Min.	Max.	Min.	Max.	Min.	Max.
	inch	mm	inch	mm	inch	mm
01	0.250	6.350	0.044	1.12	0.56	14.22
02	0.312	7.920	0.044	1.12	0.63	16.00
03	0.375	9.530	0.044	1.12	0.69	17.53
04	0.438	11.130	0.044	1.12	0.75	19.05
05	0.500	12.700	0.044	1.12	0.82	20.83
06	0.562	14.270	0.044	1.12	0.89	22.61
07	0.625	15.880	0.044	1.12	0.95	24.13
8	0.688	17.480	0.044	1.12	1.02	25.91
9	0.750	19.050	0.069	1.75	1.07	27.18
10	0.812	20.620	0.069	1.75	1.13	28.70
11	0.875	22.230	0.069	1.75	1.19	30.23
12	0.938	23.830	0.069	1.75	1.26	32.00
13	1.000	25.400	0.069	1.75	1.32	33.53
14	1.125	28.575	0.069	1.75	1.47	37.34



QUICK CLAMP

STRAIGHT; 90° & 45°; SELF-LOCK/SPIN

Connector Group L

38999 Series III & Series IV

M85049	/16	-	11	W
SERIES	SLASH SHEET	COUPLING	SHELL SIZE	FINISH
	15: 45° 16: 90°	--Spin Coupling S:Self-Lock G: Spin w/grounding Lug	Table A	View Table 2 Pg. XX

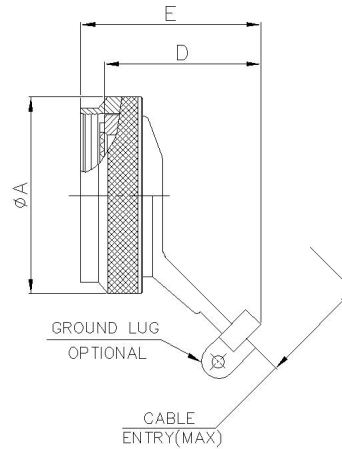
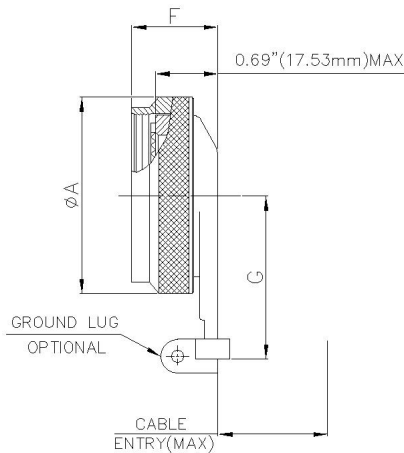


TABLE A

Shell Size Connector	Shell Size Code	A DIA. Max.		D Max.		E Max.		F Max.		G Max.		Wiring Entry	
		inch	mm	inch	mm	inch	mm	inch	mm	inch	mm	inch	mm
9	9 / A	0.86	21.79	1.03	26.16	1.43	36.32	0.99	25.15	1.22	30.99	0.26	6.71
11	11 / B	0.98	24.99	1.03	26.16	1.43	36.32	0.99	25.15	1.29	32.77	0.39	9.96
13	13 / C	1.16	29.39	1.03	26.16	1.43	36.32	0.99	25.15	1.62	41.15	0.51	12.85
15	15 / D	1.28	32.49	1.9	27.69	1.93	49.02	0.99	25.15	1.66	42.16	0.63	16.03
17	17 / E	1.41	35.71	1.11	28.19	1.93	49.02	0.99	25.15	1.72	43.69	0.76	19.20
19	19 / F	1.52	38.51	1.21	30.73	2.03	51.56	0.99	25.15	1.72	43.69	0.85	21.46
21	21 / G	1.64	41.71	1.26	32.00	2.9	53.9	0.99	25.15	1.79	45.47	0.97	24.64
23	23 / H	1.77	44.91	1.30	33.02	2.9	53.9	0.99	25.15	1.85	46.99	1.10	27.81
25	25 / J	1.89	47.98	1.34	34.04	2.24	56.90	0.99	25.15	1.91	48.51	1.22	30.99

QUICK CLAMP

STRAIGHT; 90° & 45°; SELF-LOCK/SPIN

Connector Group J

26482 Series II; 5015 (MS345X); 83723 Series III

M85049	/53	-	10	W
SERIES	SLASH SHEET	COUPLING	SHELL SIZE	FINISH
	53: Straight 54: 45° 55: 90°	--Spin Coupling S:Self-Lock G:Spin w/grounding Lug (90° Only) T: Self-Lock with grounding lug (only for 90°)		View Table 2 Pg. XX

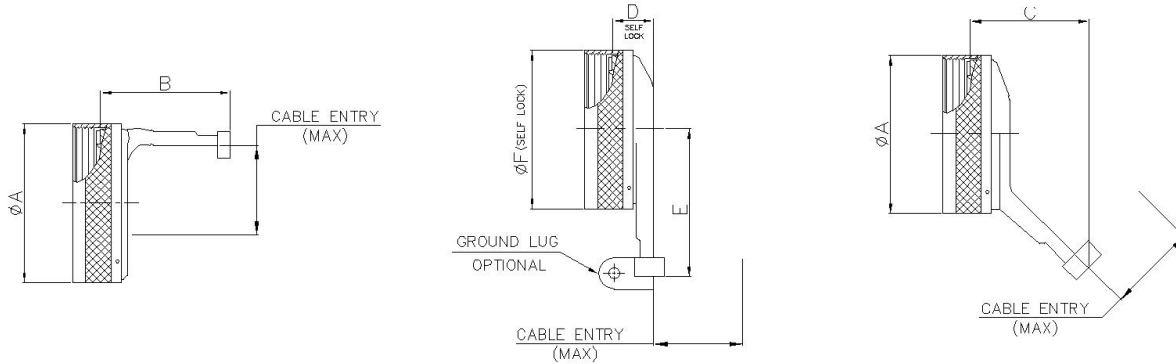


TABLE A

Dash Number	Shell Size Connector	A DIA. Max.		B Max.		C Max.		D Max.		E Max.		F Dia. Max.		Wiring Entry	
		inch	mm	inch	mm	inch	mm	inch	mm	inch	mm	inch	mm	inch	mm
08	08	0.66	16.69	0.95	24.23	1.23	31.29	0.73	18.54	1.22	30.99	0.89	22.48	0.26	6.60
10	10	0.78	19.86	0.95	24.23	1.23	31.29	0.73	18.54	1.29	32.77	1.01	25.65	0.37	9.27
12	07/12/12	0.94	23.80	0.95	24.23	1.23	31.29	0.73	18.54	1.62	41.15	1.14	28.83	0.50	12.73
14	12/14/12	1.05	26.67	1.20	30.58	1.23	31.29	0.73	18.54	1.66	42.16	1.26	32.00	0.58	14.61
16	19/16	1.24	31.47	1.20	30.58	1.23	31.29	0.73	18.54	1.72	43.69	1.39	35.18	0.70	17.78
18	27/18	1.38	35.00	1.20	30.58	1.23	31.29	0.73	18.54	1.72	43.69	1.51	38.35	0.78	19.79
20	37/20	1.50	38.10	1.31	33.27	1.48	37.64	0.75	19.05	1.79	45.47	1.64	41.53	0.90	22.96
22	22	1.63	41.43	1.43	36.32	1.48	37.64	0.75	19.05	1.85	46.99	1.76	44.70	1.03	26.14
24	24	1.75	44.45	1.56	39.62	1.48	37.64	0.75	19.05	1.91	48.51	1.89	47.88	1.14	29.06
28	28	1.97	50.04	1.56	39.62	1.47	37.31	0.75	19.05	2.06	52.32	2.14	54.23	1.38	35.03

QUICK CLAMP

STRAIGHT; 90° & 45°; SELF-LOCK/SPIN

Connector Group K

38999 Series I & Series II

M85049	/56	-	10	W
SERIES	SLASH SHEET	COUPLING	DASH NUMBER	FINISH
	56: Straight 57: 45° 63: 90°	-:Spin Coupling S:Self-Lock G: Spin w/grounding Lug (/57 and /63 Only)	Table A	View Table 2 Pg. XX

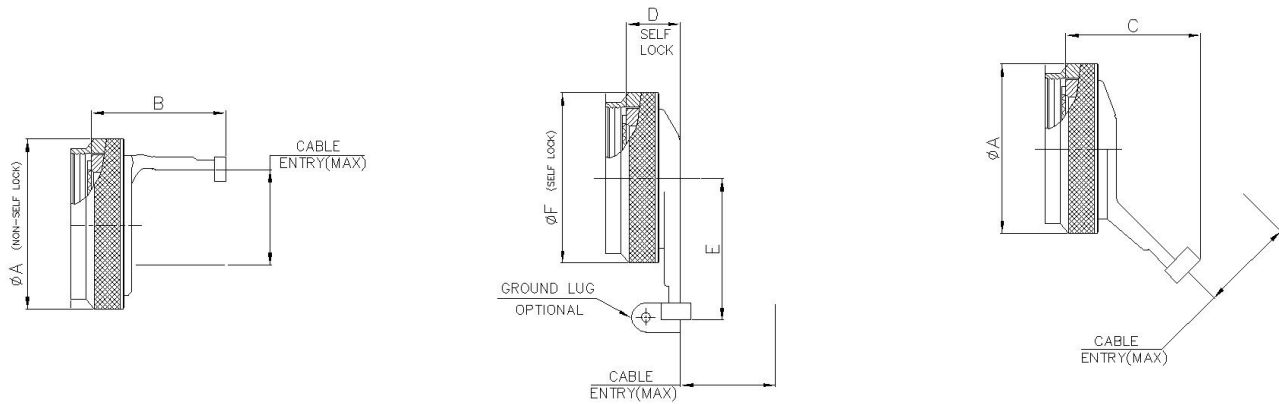


TABLE A

Dash Number	Shell Size Connector	A DIA. Max.		B Max.		C Max.		D Max.		E Max.		F Dia. Max.		Wiring Entry	
		inch	mm	inch	mm	inch	mm	inch	mm	inch	mm	inch	mm	inch	mm
8	8 / 9	0.66	16.69	0.95	24.23	1.23	31.29	0.73	18.54	1.22	30.99	0.89	22.48	0.26	6.60
10	10 / 11	0.78	19.86	0.95	24.23	1.23	31.29	0.73	18.54	1.29	32.77	1.01	25.65	0.37	9.27
12	12 / 13	0.94	23.80	0.95	24.23	1.23	31.29	0.73	18.54	1.62	41.15	1.14	28.83	0.50	12.73
14	14 / 15	1.05	26.67	1.20	30.58	1.23	31.29	0.73	18.54	1.66	42.16	1.26	32.00	0.58	14.61
16	16 / 17	1.24	31.47	1.20	30.58	1.23	31.29	0.73	18.54	1.72	43.69	1.39	35.18	0.70	17.78
18	18 / 19	1.38	35.00	1.20	30.58	1.23	31.29	0.73	18.54	1.72	43.69	1.51	38.35	0.78	19.79
20	20 / 21	1.50	38.10	1.31	33.27	1.48	37.64	0.75	19.05	1.79	45.47	1.64	41.53	0.90	22.96
22	22 / 23	1.63	41.43	1.43	36.32	1.48	37.64	0.75	19.05	1.85	46.99	1.76	44.70	1.03	26.14
24	24 / 25	1.75	44.45	1.56	39.62	1.48	37.64	0.75	19.05	1.91	48.51	1.89	47.88	1.14	29.06

SHRINK BOOT ADAPTER

STRAIGHT; SPIN COUPLING

Connector Group J

26482 Series II; 5015 (MS345X); 83723 Series III

M85049	/60-1	W	10
SERIES	SLASH SHEET	FINISH	DASH NUMBER
	60-1: Straight	View Table 2 Pg. XX	TABLE A

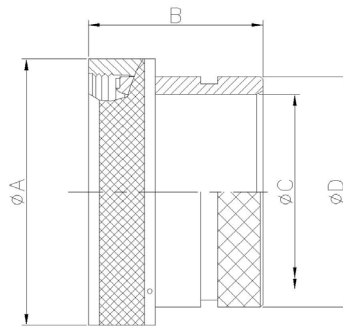


TABLE A

Dash Number	Shell Size Connector	A DIA. Max.		B Max.		C Dia. Max.		D Dia. Max.	
		inch	mm	inch	mm	inch	mm	inch	mm
8	8	0.62	15.67	1.19	30.15	0.25	6.35	0.53	13.54
10	10	0.73	18.64	1.19	30.15	0.36	9.02	0.61	15.37
12	7/12	0.86	21.79	1.19	30.15	0.49	12.47	0.77	19.66
14	12/14	0.98	24.99	1.19	30.15	0.57	14.35	0.84	21.29
16	19/16	1.11	28.24	1.19	30.15	0.69	17.53	0.96	24.46
18	27/18	1.22	30.94	1.19	30.15	0.77	19.53	1.04	26.47
20	37/20	1.35	34.16	1.19	30.15	0.89	22.71	1.22	30.91
22	22	1.47	37.29	1.19	30.15	1.02	25.88	1.36	34.42
24	24	1.59	40.46	1.19	30.15	1.13	28.80	1.44	36.65
28	28	1.97	50.01	1.51	38.38	1.37	34.77	1.71	43.41
32	32	2.22	56.36	1.51	38.38	1.62	41.02	1.92	48.74
36	36	2.47	62.71	1.51	38.38	1.83	46.48	2.17	55.9
40	40	2.72	69.06	1.51	38.38	2.05	51.94	2.40	61.01
44	44	2.97	75.41	1.51	38.38	2.30	58.42	2.66	67.49
48	48	3.22	81.76	1.51	38.38	2.55	64.77	2.91	73.84

SHRINK BOOT ADAPTER

STRAIGHT; SPIN COUPLING

26482 Series II; AS81703 Series III; 83723 Series III

M85049	/60-2G	20	A
SERIES	SLASH SHEET	SHELL SIZE	FINISH
		Table A	View Table 2 Pg. XX

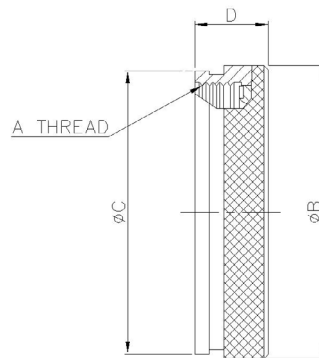


TABLE A

Dash Number	Shell Size Connector		inch		mm		inch		mm	
8	8	0.500-20 UNF	0.688	17.48	0.657	16.69	0.540	13.7		
10	10	0.625-24 UNEF	0.803	20.40	0.774	19.66	0.540	13.7		
12	7/12	0.750-20 UNEF	0.938	23.83	0.898	22.81	0.540	13.7		
14	12/14	0.875-20 UNEF	1.063	27.00	1.024	26.01	0.540	13.7		
16	19/16	1.000-20 UNEF	1.238	31.45	1.152	29.26	0.540	13.7		
18	27/18	1.0625-18 UNEF	1.310	33.27	1.243	31.57	0.540	13.7		
20	37/20	1.1875-18 UNEF	1.436	36.47	1.370	34.80	0.540	13.7		
22	22	1.3125-18 UNEF	1.560	39.62	1.443	36.65	0.540	13.7		
24	24	1.4375-18 UNEF	1.686	42.82	1.618	41.10	0.540	13.7		
28	28	1.750-18 UNS	2.062	52.37	1.969	50.01	0.702	17.8		
32	32	2.000-18 UNS	2.312	58.72	2.219	56.36	0.702	17.8		
36	36	2.250-16 UN	2.562	65.07	2.469	62.71	0.702	17.8		
40	40	2.500-16 UN	2.812	71.42	2.719	69.06	0.702	17.8		
44	44	2.750-16 UN	3.062	77.77	2.969	75.41	0.702	17.8		

SHRINK BOOT ADAPTER

STRAIGHT; SPIN COUPLING

Connector Group K

38999 Series I & Series II

M85049	/62	10	W	D
SERIES	SLASH SHEET	DASH NUMBER	FINISH	D: Drain Hole
	62: Straight	Table A	View Table 2 Pg. XX	

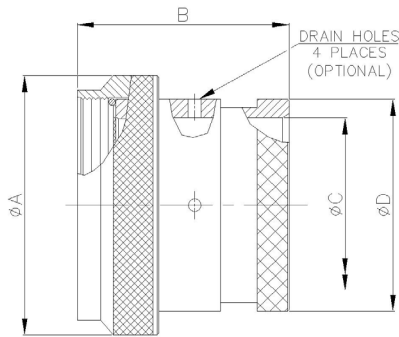


TABLE A

Dash Number	Shell Size Connector	A DIA. Max.		B Max.		C Dia. Max.		D Dia. Max.	
		inch	mm	inch	mm	inch	mm	inch	mm
08	8	0.62	15.67	1.19	30.15	0.25	6.35	0.53	13.54
10	10	0.73	18.64	1.19	30.15	0.36	9.02	0.61	15.37
12	7/12	0.86	21.79	1.19	30.15	0.49	12.47	0.77	19.66
14	12/14	0.98	24.99	1.19	30.15	0.57	14.35	0.84	21.29
16	19/16	1.11	28.24	1.19	30.15	0.69	17.53	0.96	24.46
18	27/18	1.22	30.94	1.19	30.15	0.77	19.53	1.04	26.47
20	37/20	1.35	34.16	1.19	30.15	0.89	22.71	1.22	30.91
22	22	1.47	37.29	1.19	30.15	1.02	25.88	1.36	34.42
24	24	1.59	40.46	1.19	30.15	1.13	28.80	1.44	36.65
28	28	1.97	50.01	1.51	38.38	1.37	34.77	1.71	43.41
32	32	2.22	56.36	1.51	38.38	1.62	41.02	1.92	48.74
36	36	2.47	62.71	1.51	38.38	1.83	46.48	2.17	55.9
40	40	2.72	69.06	1.51	38.38	2.05	51.94	2.40	61.01
44	44	2.97	75.41	1.51	38.38	2.30	58.42	2.66	67.49
48	48	3.22	81.76	1.51	38.38	2.55	64.77	2.91	73.84

SHRINK BOOT ADAPTER

STRAIGHT; SPIN COUPLING

Connector Group L

38999 Series III, IV

M85049	/69	11	W	D
SERIES	SLASH SHEET	SHELL SIZE	FINISH	D: Drain Hole
	69: Straight	Table A	View Table 2 Pg. XX	

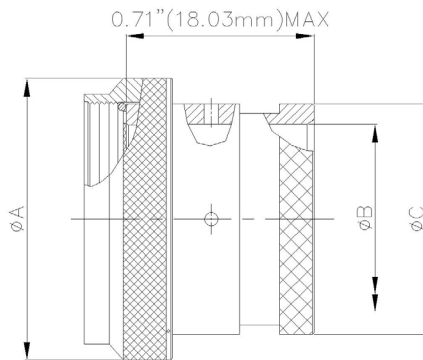


TABLE A							
Dash Number	Shell Size Connector	A DIA. Max.		B Max.		C Dia. Max.	
		inch	mm	inch	mm	inch	mm
9	9 / A	0.75	19.05	0.25	6.35	0.53	13.54
11	11 / B	0.85	21.59	0.38	9.53	0.61	15.37
13	13 / C	1.00	25.40	0.50	12.70	0.77	19.66
15	15 / D	1.15	29.21	0.63	15.88	0.84	21.29
17	17 / E	1.25	31.75	0.75	19.05	0.94	23.77
19	19 / F	1.40	35.56	0.81	20.62	1.04	26.47
21	21 / G	1.55	39.37	0.94	23.80	1.22	30.91
23	23 / H	1.65	41.91	1.06	26.97	1.36	34.42
25	25 / J	1.85	46.99	1.19	30.18	1.44	36.65

STRAIN RELIEF CLAMP

STRAIGHT; 90°; SELF-LOCK/SPIN

38999 Series III & Series IV

M85049	/38	-	11	W
SERIES	SLASH SHEET	COUPLING	SHELL SIZE	FINISH
	38: Straight 39: 90°	S: Self Lock -: Spin	Table A	View Table 2 Pg. XX

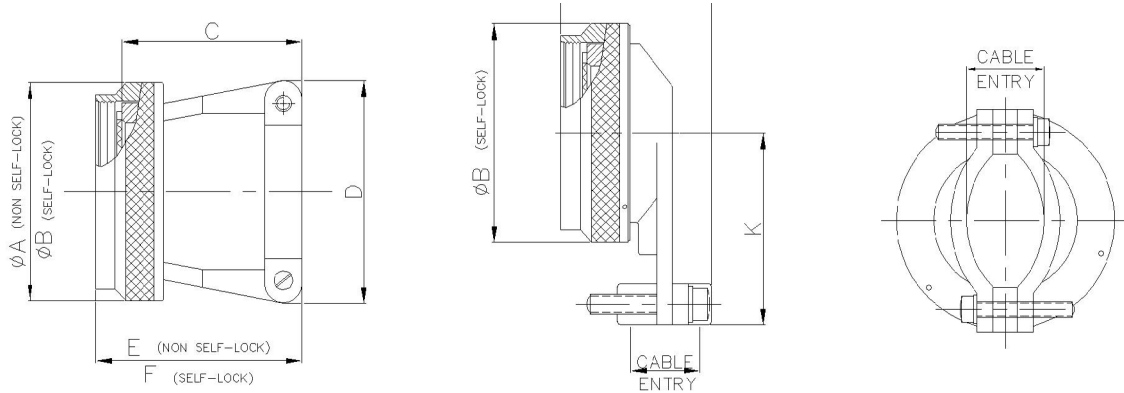


TABLE A

Shell Size Connector	Shell Size Code	A Dia. Max.		B Dia. Max.		C Max. /38		D Max.		E Max.		F Max.		J Max.		K Max.		Cable Entry			
		inch	mm	inch	mm	inch	mm	inch	mm	inch	mm	inch	mm	inch	mm	inch	mm	inch	mm	inch	mm
9	9 / A	0.75	19.05	0.86	21.82	0.91	23.11	0.85	21.59	1.10	27.94	1.21	30.73	1.31	33.27	1.00	25.40	0.10	2.49	0.23	5.94
11	11 / B	0.85	21.59	0.98	24.99	0.91	23.11	0.90	22.86	1.10	27.94	1.21	30.73	1.31	33.27	1.10	27.94	0.15	3.89	0.23	5.94
13	13 / C	1.00	25.40	1.16	29.36	1.01	25.65	1.10	27.94	1.20	30.48	1.31	33.27	1.51	38.35	1.10	27.94	0.19	4.83	0.33	8.33
15	15 / D	1.10	27.94	1.28	32.54	1.06	26.92	1.15	29.21	1.25	31.75	1.35	34.29	1.55	39.37	1.25	31.75	0.26	6.60	0.46	11.61
17	17 / E	1.25	31.75	1.41	35.71	1.16	29.46	1.30	33.02	1.36	34.44	1.45	36.83	1.71	43.43	1.30	33.02	0.28	7.19	0.61	15.60
19	19 / F	1.40	35.56	1.52	38.51	1.41	35.81	1.50	38.10	1.60	40.64	1.71	43.43	1.81	45.97	1.35	34.29	0.33	8.26	0.63	16.10
21	21 / G	1.50	38.10	1.64	41.68	1.51	38.35	1.60	40.64	1.70	43.21	1.81	45.97	1.95	49.53	1.60	40.64	0.34	8.71	0.70	17.73
23	23 / H	1.65	41.91	1.77	44.86	1.66	42.16	1.70	43.18	1.85	46.99	1.95	49.53	2.10	53.34	1.75	44.45	0.38	9.68	0.82	20.90
25	25 / J	1.75	44.45	1.89	48.03	1.76	44.70	1.80	45.72	1.95	49.56	2.05	52.07	2.21	56.13	1.85	46.99	0.42	10.62	0.85	21.67

STRAIN RELIEF CLAMP

STRAIGHT; SPIN COUPLING; SUPERSEDES MS3057-16A

M85049	/41	-3A
SERIES	SLASH SHEET	DASH NUMBER
	41: Straight	Table A

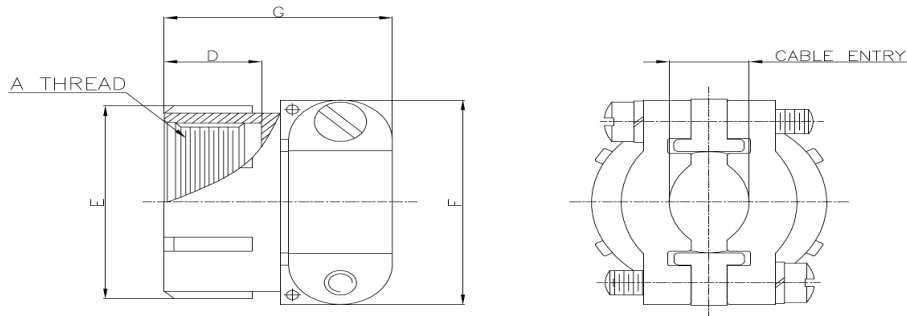


TABLE-A

Dash Number	Shell Size Connector	A Thread	Cable Entry Max.		D		E		F		G	
			inch	mm	inch	mm	inch	mm	inch	mm	inch	mm
3A	8 10	0.500-28 UNEF-2B	0.25	6.4	0.406	10.3	0.688	17.5	0.812	20.6	0.812	20.6
4A	10, 12, 12	0.625-24 UNEF-2B	0.312	7.9	0.406	10.3	0.812	20.6	0.875	22.2	0.812	20.6
6A	14, 14	0.750-20 UNEF-2B	0.438	11.1	0.406	10.3	0.969	24.6	1.062	27.0	0.875	22.2
8A	16, 16	0.875-20 UNEF-2B	0.562	14.3	0.406	10.3	1.094	27.8	1.156	29.4	0.938	23.8
10A	18	1.000-20 UNEF-2B	0.625	15.9	0.406	10.3	1.188	30.2	1.250	31.8	0.938	23.8
12A	20, 22	1.188-18 UNEF-2B	0.750	19.1	0.406	10.3	1.375	34.9	1.469	37.3	0.938	23.8
16A	24, 28	1.438-18 UNEF-2B	0.938	23.8	0.406	10.3	1.656	42.1	1.688	42.9	1.031	26.2
20A	32	1.750-18 UNS-2B	1.250	31.8	0.469	11.9	2.031	51.6	2.031	51.6	1.094	27.8
24A	36	2.000-18 UNS-2B	1.375	34.9	0.531	13.5	2.219	56.4	2.281	57.9	1.156	29.4
28A	40	2.250-16 UN-2B	1.625	41.3	0.531	13.5	2.500	63.5	2.688	68.3	1.688	42.9
32A	44	2.500-16 UN-2B	1.875	47.6	0.594	15.1	2.781	70.6	2.938	74.6	1.750	44.5
40A	48	3.000-16 UN-2B	2.375	60.3	0.656	16.7	3.281	83.3	3.500	88.9	1.750	44.5

STRAIN RELIEF CLAMP

STRAIGHT; SPIN COUPLING

M85049	/42	-10D	W
SERIES	SLASH SHEET	DASH NUMBER	FINISH
	42: Straight	Table A	View Table 2 Pg. XX

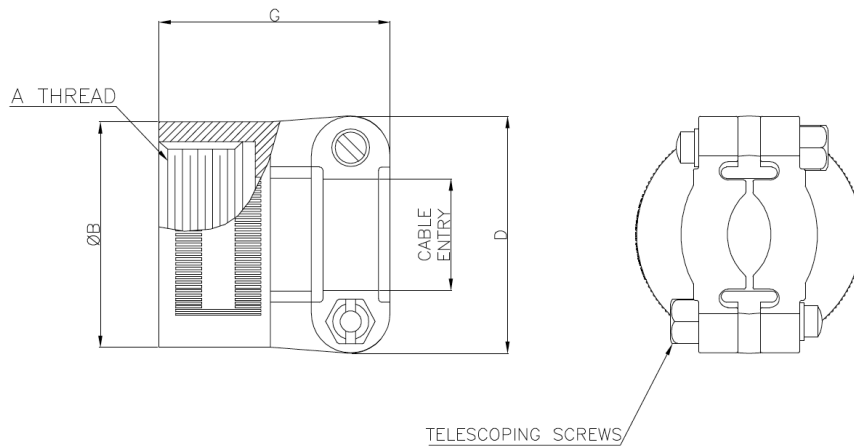


TABLE A											
Dash Number	A Thread Class 2B	B		D		G		Cable Entry			
								Min		Max	
		inch	mm	inch	mm	inch	mm	inch	mm	inch	mm
4D	0.625-24UNEF	0.937	23.80	0.937	23.80	1.281	32.54	0.125	3.18	0.312	7.92
6D	0.750-20UNEF	1.031	26.19	1.125	28.58	1.281	32.54	0.250	6.35	0.437	11.10
8D	0.875-20UNEF	1.250	31.75	1.312	33.32	1.281	32.54	0.312	7.92	0.562	14.27
10D	1.000-20UNEF	1.250	31.75	1.312	33.32	1.281	32.54	0.350	8.89	0.625	15.88
12D	1.1875-18UNEF	1.437	36.50	1.531	38.89	1.312	33.32	0.500	12.70	0.750	19.05
16D	1.4375-18UNEF	1.688	42.88	1.750	44.45	1.406	35.71	0.625	15.88	0.937	23.80
20D	1.750-18UNS	2.000	50.80	2.093	53.16	1.593	40.46	0.875	22.23	1.250	31.75
24D	2.000-18UNS	2.250	57.15	2.343	59.51	1.625	41.28	1.000	25.40	1.375	34.93
28D	2.250-16UN	2.500	63.50	2.750	69.85	1.900	48.26	1.250	31.75	1.625	41.28
32D	2.500-16UN	2.750	69.85	3.000	76.20	1.900	48.26	1.437	36.50	1.875	47.63
32A	44	1.875	47.6	0.594	15.1	2.781	70.6	2.938	74.6	1.750	44.5
40A	48	2.375	60.3	0.656	16.7	3.281	83.3	3.500	88.9	1.750	44.5

STRAIN RELIEF CLAMP

STRAIGHT; 90° & 45°; SELF-LOCK/SPIN

26482 Series II; 5015 (MS345X); 83723 Series III

M85049	/43	-	10	W
SERIES	SLASH SHEET	COUPLING	DASH NUMBER	FINISH
	43: 45° 51: 90° 52: Straight	S: Self Lock (/51 and /52 Only) -: Spin (/43 Only) -1: SPIN (/51 and /52 Only)	Table A	View Table 2 Pg. XX

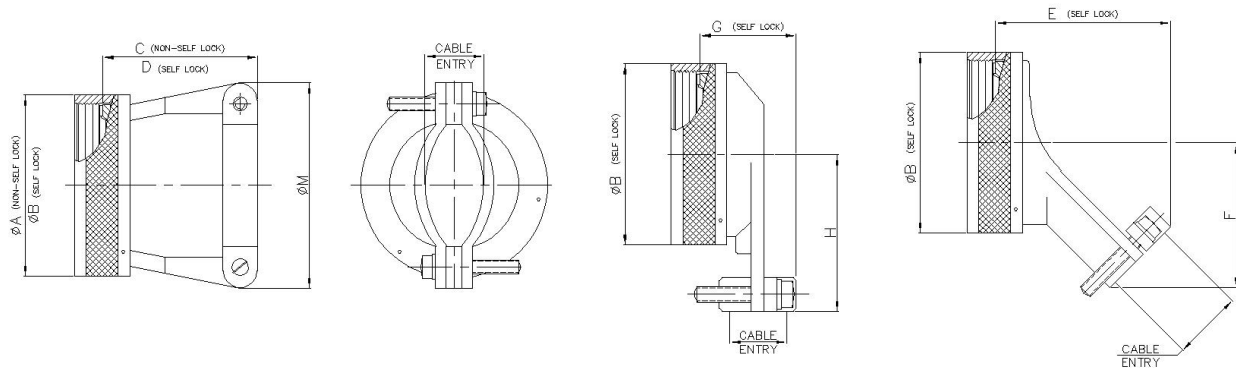


TABLE A

Dash Number	Shell Size Connector	A DIA. Max.		B Max.		C Max.		D Max.		E Max.		F Max.	
		inch	mm	inch	mm	inch	mm	inch	mm	inch	mm	inch	mm
8	8	0.62	15.67	0.89	22.48	0.63	16.00	0.73	18.54	1.32	33.53	0.77	19.61
10	10	0.73	18.64	1.01	25.65	0.74	18.80	0.85	21.59	1.36	34.65	0.80	20.40
12	7/12	0.86	21.79	1.14	28.83	0.86	21.84	0.98	24.89	1.44	36.53	0.87	22.00
14	12/14	0.98	24.99	1.26	32.00	0.86	21.84	0.98	24.89	1.48	37.59	0.93	23.57
16	19/16	1.11	28.24	1.39	35.18	0.99	25.15	1.10	27.94	1.59	40.28	0.99	25.17
18	27/18	1.22	30.94	1.51	38.35	1.24	31.50	1.35	34.29	1.70	43.28	1.11	28.19
20	37/20	1.35	34.16	1.64	41.53	1.36	34.54	1.48	37.59	1.75	44.40	1.17	29.77
22	22	1.47	37.29	1.76	44.70	1.49	37.85	1.60	40.64	1.79	45.52	1.24	31.37
24	24	1.59	40.46	1.89	47.88	1.61	40.89	1.73	43.94	1.84	46.63	1.30	32.94

TABLE A

Dash Number	Shell Size Connector	G Max.		H Max.		M Max.		Cable Entry			
		inch	mm	inch	mm	inch	mm	Min		Max	
		inch	mm	inch	mm	inch	mm	inch	mm	inch	mm
08	8	0.93	23.62	0.75	18.95	0.78	19.86	0.13	3.18	0.20	5.18
10	10	1.02	25.91	0.81	20.45	0.86	21.89	0.19	4.75	0.29	7.26
12	7/12	1.21	30.73	0.87	22.02	1.00	25.48	0.29	7.39	0.42	10.57
14	12/14	1.27	32.26	0.93	23.62	1.06	26.95	0.35	8.92	0.48	12.9
16	19/16	1.42	36.07	0.99	25.25	1.33	33.88	0.50	12.73	0.63	15.90
18	27/18	1.53	38.86	1.17	29.74	1.47	37.24	0.52	13.16	0.71	17.93
20	37/20	1.65	41.91	1.23	31.34	1.57	39.93	0.58	14.76	0.83	21.11
22	22	1.78	45.21	1.30	32.92	1.69	42.88	0.64	16.36	0.96	24.28
24	24	1.90	48.26	1.36	34.49	1.79	45.47	0.71	17.93	1.8	27.46

STRAIN RELIEF CLAMP

STRAIGHT; 90°; SELF-LOCK/SPIN

38999 Series I & Series II

M85049	/47	S	W	10
SERIES	SLASH SHEET	COUPLING	FINISH	DASH NUMBER
	47: 90°	S: Self Lock Omit for Spin	View Table 2 Pg. XX	Table A

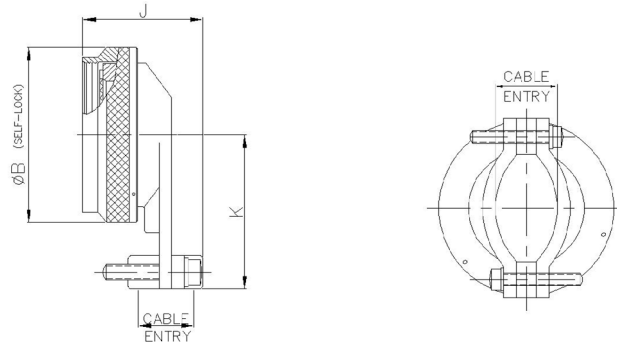


TABLE A

Shell Size Connector	Shell Size Code	A DIA. Max.		B Max.		C Max.		D Max.		E Closed	
										±.031	±.787
		inch	mm	inch	mm	inch	mm	inch	mm	inch	mm
8	8 / 9	0.75	19.05	0.86	21.82	0.91	23.11	0.85	21.59	1.10	27.94
10	10 / 11	0.85	21.59	0.98	24.99	0.91	23.11	0.90	22.86	1.10	27.94
12	12 / 13	1.00	25.40	1.16	29.36	1.01	25.65	1.10	27.94	1.20	30.48
14	14 / 15	1.10	27.94	1.28	32.54	1.06	26.92	1.15	29.21	1.25	31.75
16	16 / 17	1.25	31.75	1.41	35.71	1.16	29.46	1.30	33.02	1.36	34.44
18	18 / 19	1.40	35.56	1.52	38.51	1.41	35.81	1.50	38.10	1.60	40.64
20	20 / 21	1.50	38.10	1.64	41.68	1.51	38.35	1.60	40.64	1.70	43.21
22	22 / 23	1.65	41.91	1.77	44.86	1.66	42.16	1.70	43.18	1.85	46.99
24	24 / 25	1.75	44.45	1.89	48.03	1.76	44.70	1.80	45.72	1.95	49.56

TABLE A

Shell Size Connector	Shell Size Code	F		J		K		Cable Entry			
		inch	mm	inch	mm	inch	mm	inch	mm	inch	mm
8	8/9	1.15	29.21	1.38	35.05	1.00	25.40	0.10	2.49	0.23	5.94
10	10 / 11	1.15	29.21	1.38	35.05	1.10	27.94	0.15	3.89	0.23	5.94
12	12 / 13	1.25	31.75	1.46	37.8	1.10	27.94	0.19	4.83	0.33	8.33
14	14 / 15	1.30	33.02	1.63	41.40	1.25	31.75	0.26	6.60	0.46	11.61
16	16 / 17	1.40	35.56	1.80	45.72	1.30	33.02	0.28	7.19	0.61	15.60
18	18 / 19	1.65	41.91	1.82	46.23	1.35	34.29	0.33	8.26	0.63	16.10
20	20 / 21	1.75	44.45	1.90	48.26	1.60	40.64	0.34	8.71	0.70	17.73
22	22 / 23	1.90	48.26	2.04	51.82	1.75	44.45	0.38	9.68	0.82	20.90
24	24 / 25	2.00	50.80	2.15	54.61	1.85	46.99	0.42	10.62	0.85	21.67

STRAIN RELIEF CLAMP

STRAIGHT; 90°; SELF-LOCK/SPIN

38999 Series I & Series II

M85049	/49-2	-	W	10
SERIES	SLASH SHEET	COUPLING	FINISH	DASH NUMBER
	49-2: Straight	S: Self Lock -: Spin	View Table 2 Pg. XX	Table A

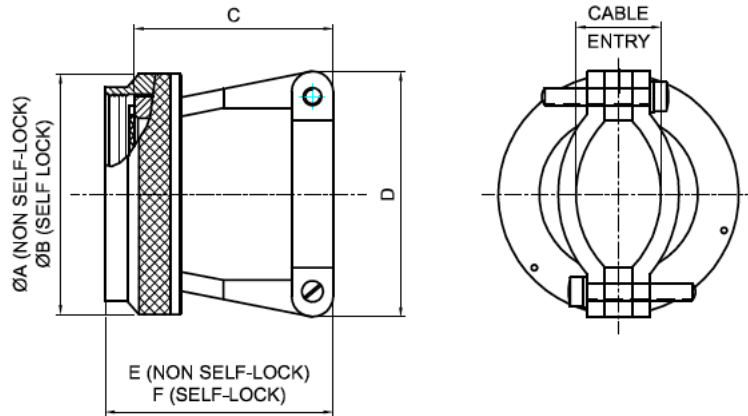


TABLE A

Dash Number	Shell Size SE-II/I	A DIA. Max.		B DIA. Max.		C Max.		D Max.		E Max.		F Max.		Cable Entry			
														Min.		Max.	
		inch	mm	inch	mm	inch	mm	inch	mm	inch	mm	inch	mm	inch	mm	inch	mm
8	8/9	0.75	19.05	0.86	21.84	0.91	23.11	0.85	21.59	1.10	27.94	1.15	29.21	0.10	2.54	0.23	5.84
10	10/11	0.85	21.59	0.98	24.89	0.91	23.11	0.90	22.86	1.10	27.94	1.15	29.21	0.15	3.81	0.23	5.84
12	12/13	1.00	25.4	1.16	29.46	1.01	25.65	1.10	27.94	1.20	30.48	1.25	31.75	0.19	4.826	0.33	8.38
14	14/15	1.10	27.94	1.28	32.51	1.06	26.92	1.15	29.21	1.25	31.75	1.30	33.02	0.26	6.604	0.46	11.68
16	16/17	1.25	31.75	1.41	35.81	1.16	29.46	1.30	33.02	1.36	34.544	1.40	35.56	0.28	7.112	0.61	15.49
18	18/19	1.40	35.56	1.52	38.60	1.41	35.81	1.50	38.1	1.60	40.64	1.65	41.91	0.33	8.382	0.63	16.00
20	20/21	1.50	38.10	1.64	41.65	1.51	38.35	1.60	40.64	1.70	43.18	1.75	44.45	0.34	8.636	0.70	17.78
22	22/23	1.65	41.91	1.77	44.95	1.66	42.16	1.70	43.18	1.85	46.99	1.90	48.26	0.38	9.652	0.82	20.82
24	24 /25	1.75	44.45	1.89	48.00	1.76	44.70	1.80	45.72	.95	24.13	2.00	50.8	0.42	10.668	0.85	21.59

STRAIN RELIEF CLAMP

STRAIGHT; SELF-LOCK/SPIN

26482 Series II; 5015 (MS345X); 83723 Series III

M85049	/118	-	10	W
SERIES	SLASH SHEET	COUPLING	DASH NUMBER	FINISH
	118: Straight	S: Self Lock -: Spin	Table A	View Table 2 Pg. XX

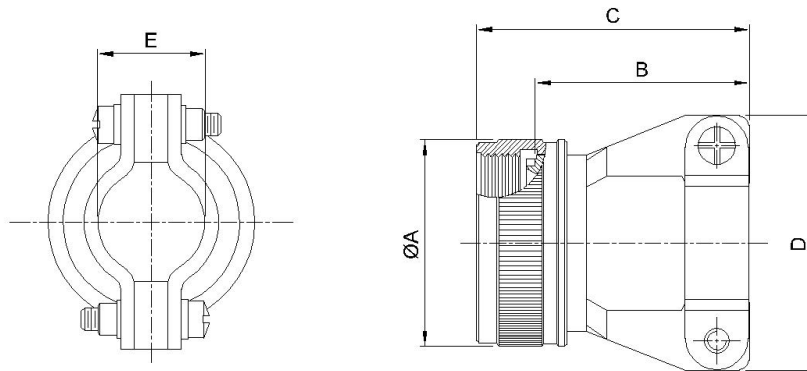


TABLE A											
Shell Size Connector	Shell Size Code	A DIA. Max.		B Max.		C Max.		D Max.		E Closed	
		inch	mm	inch	mm	inch	mm	inch	mm	±.031	±.787
										inch	mm
08	8S	0.89	22.61	0.77/0.51	19.56/12.95	1.14	28.96	0.88	22.35	0.22	5.56
10	10S, 10SL	1.01	25.65	0.89/0.64	22.61/16.26	1.25	31.75	0.94	23.88	0.26	6.71
12	12, 12S	1.14	28.96	1.01/0.76	25.65/19.30	1.38	35.05	1.12	28.45	0.34	8.74
14	14, 14S	1.26	32.00	1.01/0.76	25.65/19.30	1.38	35.05	1.19	30.23	0.46	11.68
16	16, 16S	1.39	35.31	1.13/0.88	28.70/22.35	1.50	38.10	1.44	36.58	0.55	13.84
18	18	1.51	38.35	1.38/1.13	35.05/28.70	1.75	44.45	1.56	39.62	0.62	15.62
20	20	1.64	41.66	1.51/1.25	38.35/31.75	1.88	47.75	1.69	42.93	0.69	17.53
22	22	1.76	44.70	1.62/1.38	41.15/35.05	2.00	50.80	1.75	44.45	0.78	19.81
24	24	1.89	48.01	1.76/1.51	44.70/38.35	2.13	54.10	1.88	47.75	0.85	21.59
28	28	2.14	54.36	2.03/1.67	51.56/42.42	2.56	65.02	2.12	53.85	0.95	24.13
32	32	2.40	60.96	2.28/1.87	57.91/47.50	2.81	71.37	2.50	63.50	1.02	25.78
36	36	2.64	67.06	2.53/2.22	64.26/56.39	3.06	77.72	2.62	66.55	1.19	30.15
40	40	2.89	73.41	2.63/2.41	66.80/61.21	3.16	80.26	2.68	68.07	1.22	30.99
44	44	3.14	79.76	3.00/2.80	76.20/71.12	3.53	89.66	3.00	76.20	1.50	38.10
48	48	3.39	86.11	3.40/3.20	86.36/81.28	3.93	99.82	3.50	88.90	1.63	41.28

STRAIN RELIEF CLAMP

STRAIGHT; SELF-LOCK/SPIN

26482 Series II; 5015 (MS345X); 83723 Series III

M85049	/120	-	10	W
SERIES	SLASH SHEET	COUPLING	DASH NUMBER	FINISH
	120: 90°	S: Self Lock -: Spin	Table A	View Table 2 Pg. XX

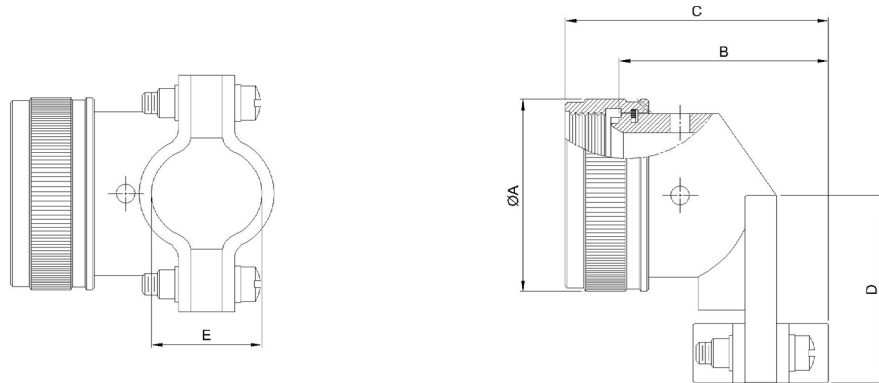


TABLE A

Shell Size Connector	Shell Size Code	A DIA. Max.		B Max.		C Max.		D Max.		E Closed	
		inch	mm	inch	mm	inch	mm	inch	mm	±.031	±.787
										inch	mm
8	8S	0.88	22.35	0.93	23.62	1.29	32.77	0.81	20.57	0.22	5.56
10	10S, 10SL	0.94	23.88	1.02	25.91	1.38	35.05	0.87	22.10	0.26	6.71
12	12, 12S	1.12	28.45	1.21	30.73	1.57	39.88	0.93	23.62	0.34	8.74
14	14, 14S	1.19	30.23	1.27	32.26	1.63	41.40	1.00	25.40	0.46	11.68
16	16, 16S	1.44	36.58	1.42	36.07	1.78	45.21	1.06	26.92	0.55	13.84
18	18	1.56	39.62	1.53	38.86	1.89	48.01	1.23	31.24	0.62	15.62
20	20	1.69	42.93	1.65	41.91	2.01	51.05	1.30	33.02	0.70	17.73
22	22	1.75	44.45	1.78	45.21	2.14	54.36	1.36	34.54	0.78	19.81
24	24	1.88	47.75	1.90	48.26	2.26	57.40	1.42	36.07	0.85	21.59
28	28	2.12	53.85	2.20	55.88	2.72	69.9	1.63	41.40	0.95	24.13
32	32	2.50	63.50	2.27	57.66	2.79	70.87	1.86	47.24	1.02	25.78

STRAIN RELIEF CLAMP

STRAIGHT; SELF-LOCK/SPIN

38999 Series I & Series II

M85049	/121	-	10	W
SERIES	SLASH SHEET	COUPLING	DASH NUMBER	FINISH
	121: Straight	S: Self Lock -: Spin	Table A	View Table 2 Pg. XX

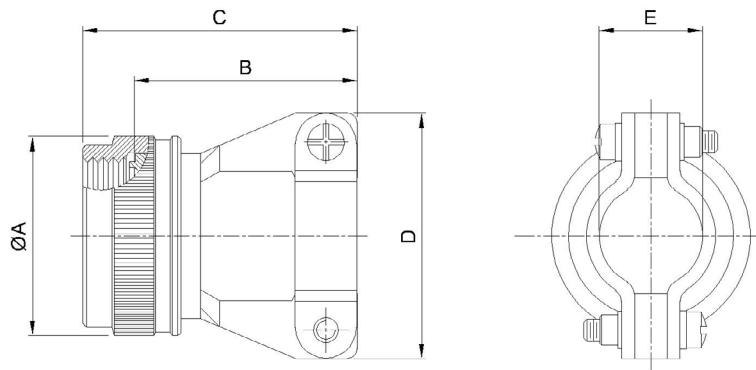


TABLE A

Dash Number	Shell Size SE-II/I	A DIA. Max.		B Max.		C Max.		D Max.		E Closed	
										±.031	±.787
		inch	mm	inch	mm	inch	mm	inch	mm	inch	mm
08	8	0.86	21.79	0.77/0.51	19.56/12.95	1.01	25.65	0.88	22.35	0.22	5.56
10	10	0.98	24.99	0.89/0.64	22.61/16.26	1.13	28.70	0.94	23.88	0.26	6.71
12	12	1.16	29.39	1.01/0.76	25.65/19.30	1.25	31.75	1.12	28.45	0.34	8.74
14	14	1.28	32.49	1.01/0.76	25.65/19.30	1.25	31.75	1.19	30.23	0.46	11.68
16	16	1.41	35.71	1.13/0.88	28.70/22.35	1.37	34.80	1.44	36.58	0.55	13.84
18	18	1.52	38.51	1.38/1.13	35.05/28.70	1.62	41.15	1.56	39.62	0.62	15.62
20	20	1.64	41.71	1.51/1.25	38.35/31.75	1.75	44.45	1.69	42.93	0.69	17.53
22	22	1.77	44.91	1.62/1.38	41.15/35.05	1.87	47.50	1.75	44.45	0.78	19.81
24	24	1.87	47.47	1.76/1.51	44.70/38.35	2.00	50.80	1.88	47.75	0.85	21.59

STRAIN RELIEF CLAMP

STRAIGHT; 90°; SELF-LOCK/SPIN

38999 Series I & Series II

M85049	/123	-	10	W
SERIES	SLASH SHEET	COUPLING	DASH NUMBER	FINISH
	123: 90°	S: Self Lock -: Spin	Table A	View Table 2 Pg. XX

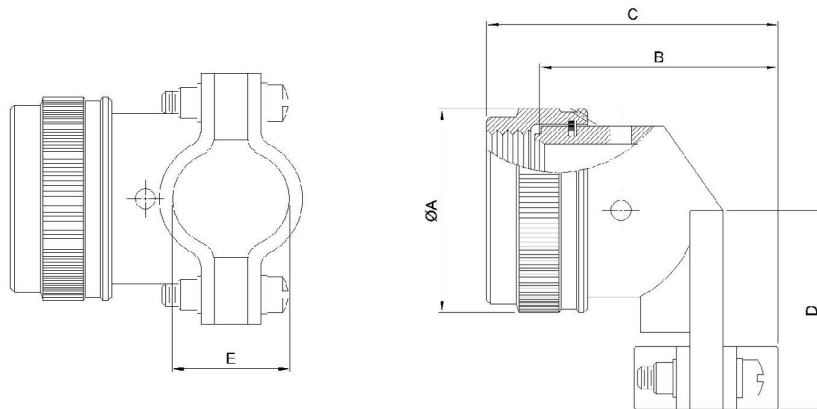


TABLE A

Dash Number	Shell Size SE-II/I	A DIA. Max.		B Max.		C Max.		D Max.		E Closed	
		inch	mm	inch	mm	inch	mm	inch	mm	±.031	±.787
										inch	mm
08	8	0.86	21.79	0.86	21.84	1.10	27.94	0.81	20.57	0.22	5.56
10	10	0.98	24.99	0.94	23.88	1.18	29.97	0.87	22.10	0.26	6.71
12	12	1.16	29.39	1.14	28.96	1.38	35.05	0.93	23.62	0.34	8.74
14	14	1.28	32.49	1.20	30.48	1.44	36.58	0.99	25.15	0.46	11.68
16	16	1.41	35.71	1.34	34.04	1.58	40.13	1.06	26.92	0.55	13.84
18	18	1.52	38.51	1.46	37.08	1.70	43.18	1.23	31.24	0.62	15.62
20	20	1.64	41.71	1.58	40.13	1.82	46.23	1.30	33.02	0.70	17.73
22	22	1.77	44.91	1.71	43.43	1.95	49.53	1.36	34.54	0.78	19.81
24	24	1.87	47.47	1.83	46.48	2.07	52.58	1.42	36.07	0.85	21.59

STRAIN RELIEF CLAMP

STRAIGHT; 90°; SELF-LOCK/SPIN

38999 Series III & Series IV

M85049	/124	-	10	W
SERIES	SLASH SHEET	COUPLING	DASH NUMBER	FINISH
	124: Straight	S: Self Lock -: Spin	Table A	View Table 2 Pg. XX

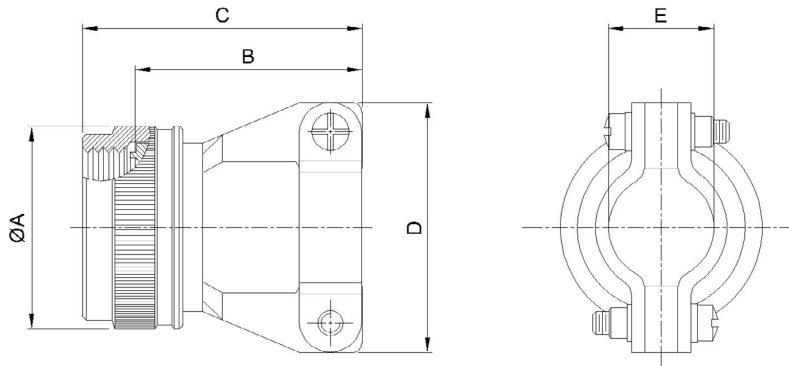


TABLE A

Dash Number	Shell Size Code	A DIA. Max.		B Length		C Max.		D Max.		E Closed	
										±.031	±.787
		inch	mm	inch	mm	inch	mm	inch	mm	inch	mm
09	9 / A	0.86	21.79	0.77/0.51	19.56/12.95	1.01	25.65	0.88	22.35	0.22	5.56
11	11 / B	0.98	24.99	0.89/0.64	22.61/16.26	1.13	28.70	0.94	23.88	0.26	6.71
13	13 / C	1.16	29.39	1.01/0.76	25.65/19.30	1.25	31.75	1.12	28.45	0.34	8.74
15	15 / D	1.28	32.49	1.01/0.76	25.65/19.30	1.25	31.75	1.19	30.23	0.46	11.68
17	17 / E	1.41	35.71	1.13/0.88	28.70/22.35	1.37	34.80	1.44	36.58	0.55	13.84
19	19 / F	1.52	38.51	1.38/1.13	35.05/28.70	1.62	41.15	1.56	39.62	0.62	15.62
21	21 / G	1.64	41.71	1.51/1.25	38.35/31.75	1.75	44.45	1.69	42.93	0.69	17.53
23	23 / H	1.77	44.91	1.62/1.38	41.15/35.05	1.87	47.50	1.75	44.45	0.78	19.81
25	25 / J	1.87	47.47	1.76/1.51	44.70/38.35	2.00	50.80	1.88	47.75	0.85	21.59

STRAIN RELIEF CLAMP

STRAIGHT; 90°; SELF-LOCK/SPIN

38999 Series III & Series IV

M85049	/126	-	10	W
SERIES	SLASH SHEET	COUPLING	SHELL SIZE	FINISH
	126: 90°	S: Self Lock -: Spin	Table A	View Table 2 Pg. XX

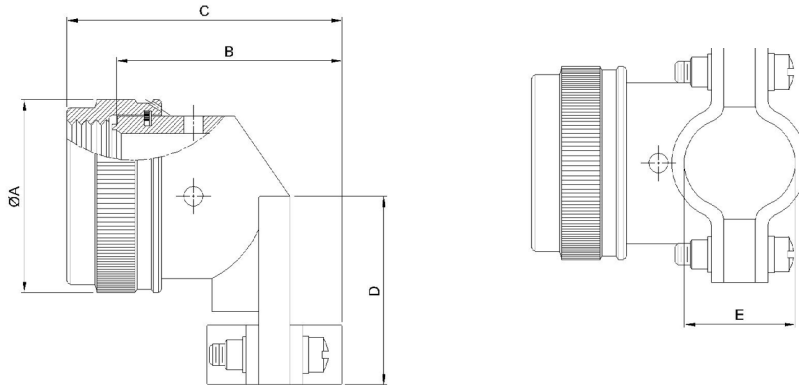


TABLE A											
Dash Number	Shell Size Code	A DIA. Max.		B Length		C Max.		D Max.		E Closed	
										±.031	±.787
		inch	mm	inch	mm	inch	mm	inch	mm	inch	mm
09	9 / A	0.86	21.79	0.77/0.51	19.56/12.95	1.01	25.65	0.88	22.35	0.22	5.56
11	11 / B	0.98	24.99	0.89/0.64	22.61/16.26	1.13	28.70	0.94	23.88	0.26	6.71
13	13 / C	1.16	29.39	1.01/0.76	25.65/19.30	1.25	31.75	1.12	28.45	0.34	8.74
15	15 / D	1.28	32.49	1.01/0.76	25.65/19.30	1.25	31.75	1.19	30.23	0.46	11.68
17	17 / E	1.41	35.71	1.13/0.88	28.70/22.35	1.37	34.80	1.44	36.58	0.55	13.84
19	19 / F	1.52	38.51	1.38/1.13	35.05/28.70	1.62	41.15	1.56	39.62	0.62	15.62
21	21 / G	1.64	41.71	1.51/1.25	38.35/31.75	1.75	44.45	1.69	42.93	0.69	17.53
23	23 / H	1.77	44.91	1.62/1.38	41.15/35.05	1.87	47.50	1.75	44.45	0.78	19.81
25	25 / J	1.87	47.47	1.76/1.51	44.70/38.35	2.00	50.80	1.88	47.75	0.85	21.59

STRAIN RELIEF CLAMP

STRAIGHT

38999 Series III & Series IV

M85049	/147	S	11	W
SERIES	SLASH SHEET	COUPLING	DASH NUMBER	FINISH
				View Table 2 Pg. XX

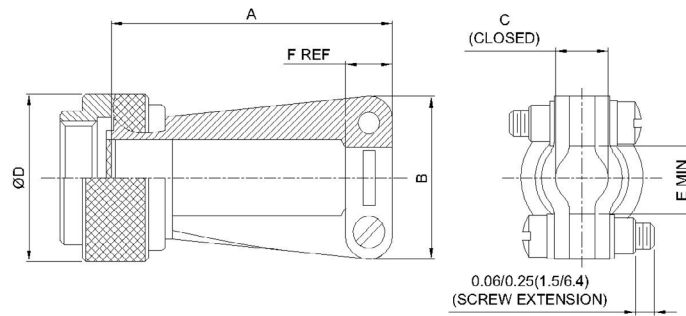


TABLE A

Connector Shell Size	Shell Size Code	A		B Max.		C		D Max.		E Min.		F Ref.		Screw Size
		inch	mm	inch	mm	±.031	±.787	inch	mm	inch	mm	inch	mm	
						inch	mm							
09	A	1.35/1.41	34.3/35.8	0.92	23.4	0.219	5.56	0.858	21.79	0.22	5.6	0.25	6.4	4-40
11	B	1.47/1.53	37.3/38.9	0.97	24.6	0.264	6.71	0.984	24.99	0.27	6.9	0.25	6.4	4-40
13	C	1.60/1.66	40.6/42.2	1.19	30.2	0.344	8.74	1.157	29.39	0.35	8.9	0.25	6.4	4-40
15	D	1.60/1.66	40.6/42.2	1.31	33.3	0.460	11.68	1.279	32.49	0.47	11.9	0.25	6.4	4-40
17	E	1.72/1.78	43.7/45.2	1.44	36.6	0.545	13.84	1.406	35.71	0.55	14.0	0.25	6.4	4-40
19	F	1.97/2.03	50.0/51.6	1.56	39.6	0.615	15.62	1.516	38.51	0.62	15.7	0.38	9.7	6-32
21	G	2.09/2.15	53.1/54.6	1.69	42.9	0.698	17.73	1.642	41.71	0.70	17.8	0.38	9.7	6-32
23	H	2.22/2.28	56.4/57.9	1.75	44.5	0.780	19.81	1.768	44.91	0.78	19.8	0.38	9.7	6-32
25	J	2.35/2.41	59.7/61.2	1.88	47.8	0.850	21.59	1.869	47.47	0.85	21.6	0.38	9.7	6-32



NEW QPL CONNECTOR ACCESSORIES

Select Connector Accessories Now QPL – Including a New Finish

DUMMY RECEPTACLE

MIL-DTL-38999 SERIES III

D38999	/22	B	W
SERIES	SLASH SHEET	CLASS	FINISH
		A, A1, A2, B, C, D, E, F, G, H, J A: For universal configuration for use with plugs with mating key polarization A, B, C, D, E, N A1: Use with plugs with mating key polarization C, E, N A2: Use with plugs with mating key polarization A, B, D	F: Electroless Nickel W: Cadmium Olive Drab Z: Zinc Nickel Black

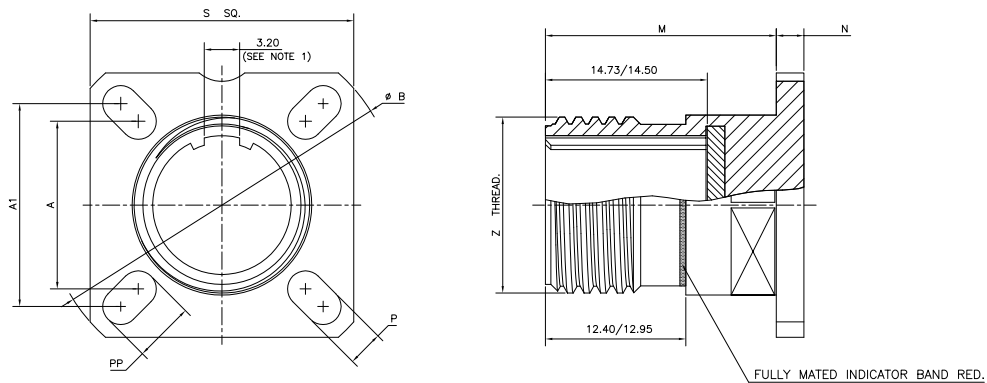


TABLE A

Shell Size	Class	S .3	V +0.00 -0.13	V' +1.4 -0.0	W 3	W'		
9	A	23.8 (.937)	.937	20.83 (.820)	.820	19.5 (.768)	2.5 (.98)	3.65 (.144)-2.2 (.87)
9	A	23.8 (.937)	.937	20.83 (.820)	.820	19.5 (.768)	2.5 (.98)	3.65 (.144)-2.2 (.87)
11	B	26.2 (1.031)	1.031	20.83 (.820)	.820	19.5 (.768)	2.5 (.98)	3.65 (.144)-2.2 (.87)
13	C	28.6 (1.126)	1.126	20.83 (.820)	.820	19.5 (.768)	2.5 (.98)	3.65 (.144)-2.2 (.87)
15	D	31.0 (1.220)	1.220	20.83 (.820)	.820	19.5 (.768)	2.5 (.98)	3.65 (.144)-2.2 (.87)
17	E	33.3 (1.311)	1.311	20.83 (.820)	.820	19.5 (.768)	2.5 (.98)	3.65 (.144)-2.2 (.87)
19	F	36.5 (1.437)	1.437	20.83 (.820)	.820	19.5 (.768)	2.5 (.98)	3.65 (.144)-2.2 (.87)
21	G	39.7 (1.563)	1.563	20.07 (.790)	.790	18.7 (.736)	3.2 (.126)	4.35 / 2.9 (.171 / .114)
23	H	42.9 (1.689)	1.689	20.07 (.790)	.790	18.7 (.736)	3.2 (.126)	4.35 / 2.9 (.171 / .114)
25	J	46.0 (1.811)	1.811	20.07 (.790)	.790	18.7 (.736)	3.2 (.126)	4.35 / 2.9 (.171 / .114)

GROMMET NUT

STRAIGHT; SELF-LOCK/SPIN

Connector Group L

38999 Series III & Series IV

M85049	/14	-	11	W
SERIES	SLASH SHEET	COUPLING	DASH NUMBER	FINISH
	14: Straight	S: Self Lock -: Spin	Table A	View Table 2 Pg. XX

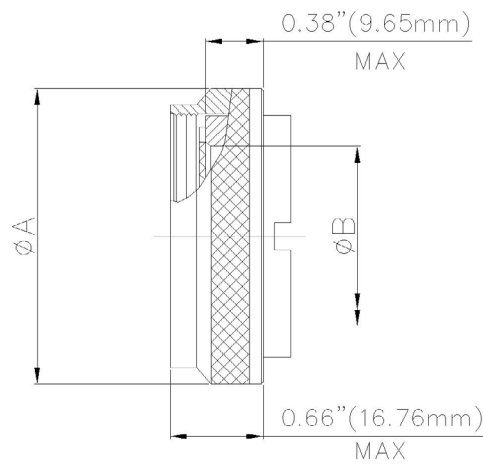


TABLE-A

Shell Size Connector	Shell Size Code	A Dia. Max.		B Dia. Max.	
		inch	mm	inch	mm
9	9/A	0.86	21.79	0.26	6.71
11	11/B	0.98	24.99	0.39	9.91
13	13/C	1.16	29.39	0.50	12.80
15	15/D	1.28	32.49	0.63	16.00
17	17/E	1.41	35.71	0.76	19.20
19	19/F	1.52	38.51	0.84	21.41
21	21/G	1.64	41.71	0.97	24.64
23	23/H	1.77	44.91	1.9	27.71
25	25/J	1.87	47.98	1.22	30.91

GROMMET NUT

STRAIGHT; SELF-LOCK/SPIN

Connector Group K

38999 Series I & Series II

M85049	/27	-	10	W
SERIES	SLASH SHEET	COUPLING	DASH NUMBER	FINISH
	27: Straight	S: Self Lock -: Spin	Table A	View Table 2 Pg. XX

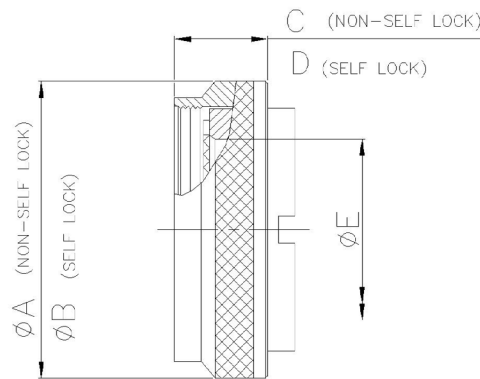


TABLE A											
Dash Number	Shell Size Connector	A Dia. Max.		B Dia. Max.		C Max.		D Max.		E Max.	
		inch	mm	inch	mm	inch	mm	inch	mm	inch	mm
8	8 / 9	0.75	19.05	0.86	21.82	0.54	13.72	0.59	14.99	0.27	6.86
10	10 / 11	0.85	21.59	0.98	24.99	0.54	13.72	0.59	14.99	0.41	10.41
12	12 / 13	1.00	25.40	1.16	29.36	0.54	13.72	0.59	14.99	0.53	13.46
14	14 / 15	1.10	27.94	1.28	32.54	0.54	13.72	0.59	14.99	0.65	16.51
16	16 / 17	1.25	31.75	1.41	35.71	0.54	13.72	0.59	14.99	0.78	19.81
18	18 / 19	1.40	35.56	1.52	38.51	0.54	13.72	0.59	14.99	0.88	22.35
20	20 / 21	1.50	38.10	1.64	41.68	0.54	13.72	0.59	14.99	1.01	25.65
22	22 / 23	1.65	41.91	1.77	44.86	0.54	13.72	0.59	14.99	1.13	28.70
24	24 / 25	1.75	44.45	1.89	48.03	0.54	13.72	0.59	14.99	1.26	32.00

GROMMET NUT

STRAIGHT; SELF-LOCK/SPIN

Connector Group J

26482 Series II; 5015 (MS345X); 83723 Series III

M85049	/31	-	10	W
SERIES	SLASH SHEET	COUPLING	DASH NUMBER	FINISH
	/31: Straight	S: Self Lock -: Spin	Table A	View Table 2 Pg. XX

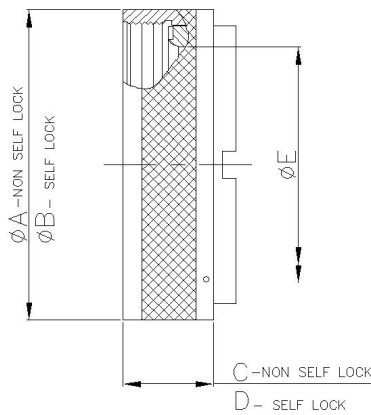


TABLE A							
Shell Size Accessory	Shell Size Connector	A Dia. Max.		B Dia. Max.		C Max.	
		inch	mm	inch	mm	inch	mm
8	8	0.69	17.48	0.66	16.69	0.54	13.72
10	10	0.80	20.40	0.77	19.66	0.54	13.72
12	7/12	0.94	23.83	0.90	22.81	0.54	13.72
14	12/14	1.06	27.00	1.02	26.01	0.54	13.72
16	19/16	1.24	31.45	1.15	29.26	0.54	13.72
18	27/18	1.31	33.27	1.24	31.57	0.54	13.72
20	37/20	1.44	36.47	1.37	34.80	0.54	13.72
22	22	1.56	39.62	1.44	36.65	0.54	13.72
24	24	1.69	42.82	1.62	41.10	0.54	13.72
28	28	2.06	52.37	1.97	50.01	0.70	17.83
32	32	2.31	58.72	2.22	56.36	0.70	17.83
36	36	2.56	65.07	2.47	62.71	0.70	17.83
40	40	2.81	71.42	2.72	69.06	0.70	17.83
44	44	3.06	77.77	2.97	75.41	0.70	17.83
48	48	3.31	84.12	3.22	81.76	0.70	17.83

HEXAGON PANEL NUT FOR SER-III & IV

MIL-DTL-38999 SERIES III AND IV

D38999	/28	-11	F
SERIES	SLASH NUMBER	COUPLING	SHELL SIZE
		S: Self Lock -: Spin	Table A

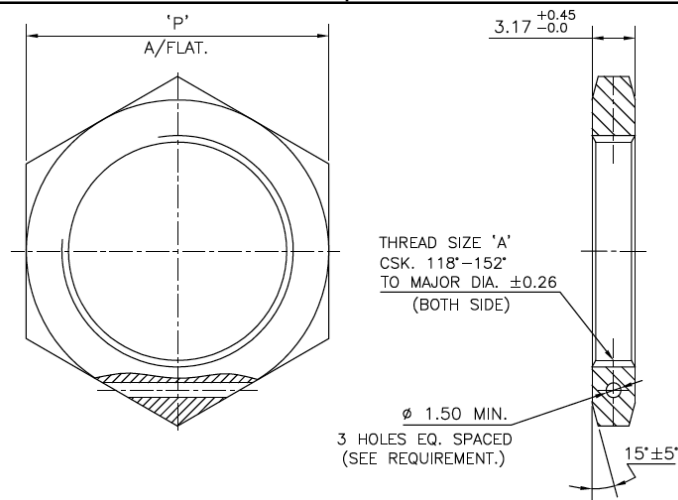


TABLE A

Dash Number	Shell Size Code		"A" Thread Size	Modified	P Hex.
	Ser-III	Ser-IV			
1	09	--	M17 X 1-6H	16.04/16.15	24.0 21.82
2	11	--	M20 X 1-6H	19.07/19.15	27.0 24.99
3	13	11	M25 X 1-6H	---	32.0 29.77
4	15	12	M28 X 1-6H	---	36.0 32.91
5	--	15	M31 X 1-6H	---	41.0 39.26
6	17	--	M32 X 1-6H	---	37.0 36.12
7	--	17	M34 X 1-6H	---	41.0 39.25
8	19	--	M35 X 1-6H	---	41.0 39.25
9	21	19	M38 X 1-6H	---	46.0 42.47
10	23	21	M41 X 1-6H	---	50.0 45.61
11	25	23	M44 X 1-6H	---	51.0 49.25
12	--	23	M47 X 1-6H	---	55.0 53.54

FLANGE MOUNT

FULL PERIMETER

M85049	/94	-10	A
SERIES	SLASH SHEET	DASH NUMBER	FINISH
		Table A	View Finish Table Pg. 10

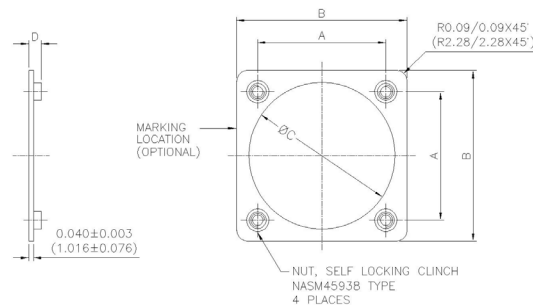


TABLE A

Dash Number	THREAD UNJC-3B	A ±0.015 (±0.38)		B Max.		C		D	
		inch	mm	inch	mm	inch	mm	inch	mm
8	4-40	0.594	15.09	0.900	22.86	0.555/0.585	14.10/14.86	0.106/0.166	2.69/4.22
10	4-40	0.719	18.26	1.034	26.26	0.685/0.735	17.40/18.67	0.106/0.166	2.69/4.22
12	4-40	0.812	20.62	1.119	28.42	0.820/0.860	20.83/21.84	0.106/0.166	2.69/4.22
14	4-40	0.906	23.01	1.213	30.81	0.945/0.990	24.00/25.15	0.106/0.166	2.69/4.22
16	4-40	0.969	24.61	1.295	32.89	1.070/1.100	27.18/27.94	0.106/0.166	2.69/4.22
18	4-40	1.062	26.97	1.421	36.09	1.195/1.225	30.35/30.99	0.106/0.166	2.69/4.22
20	4-40	1.156	29.36	1.550	39.37	1.320/1.350	33.53/34.29	0.106/0.166	2.69/4.22
22	4-40	1.250	31.75	1.680	42.67	1.440/1.485	36.58/37.72	0.106/0.166	2.69/4.22
24	6-32	1.375	34.93	1.800	45.72	1.570/1.600	39.88/40.64	0.123/0.183	3.12/4.65
25	6-32	1.500	38.10	1.910	48.51	1.643/1.673	41.73/42.49	0.123/0.183	3.12/4.65

TABLE B – MOUNTING FLANGE CONNECTOR APPLICATION DATA

DASH #/ CLASS	MIL-DTL-38999				AS50151	AS81703 SERIES 3	MIL-DTL-26482 SERIES 1 & 2	MIL-DTL-83723 SERIES III	MIL-DTL-26500 NAS 1599	MIL-C-81511	MIL-DTL-27599
	SERIES I	SERIES II	SERIES III	SERIES IV							
	CONNECTOR SHELL SIZE										
8		8			8S		8	8	8	8	8
10	9	10	9(A)		10SL	7	10	10	10	10	10
12	11	12	11(B)	11(B)	12, 12S	12	12	12	12		12
14	13	14	13(C)	13(C)	14, 14S	19	14	14	14	14	14
16	15	16	15(D)	15(D)	16, 16S	27	16	16	16	16	16
18	17	18	17(E)	17(E)	18		18	18	18	18	18
20	19	20	19(F)	19(F)	20		20	20	20	20	20
22	21	22	21(G)	21(G)	22		22	22	22	22	22
24	23	24	23(H)	23(H)	24		24	24	24	24	24
25	25		25(J)	25(J)							

FLANGE MOUNT

3/4 PERIMETER

M85049	/95	-10	A
SERIES	SLASH SHEET	DASH NUMBER	FINISH
		Table A	View Finish Table Pg. 10

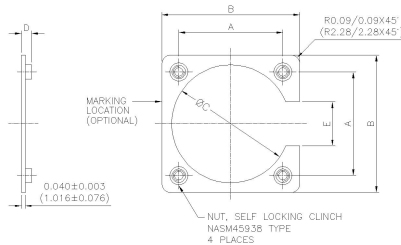


TABLE A

Dash Number	Class	THREAD UNJC-3B	A		B Max.		C		D		E	
			±0.005	±0.127			±0.015	±0.38			±0.030	±0.76
			inch	mm	inch	mm	inch	mm	inch	mm	inch	mm
3	A	4-40	0.625	15.88	0.940	23.88	0.641	16.28	0.106/0.166	2.69/4.22	0.325	8.26
7	A	4-40	0.719	18.26	1.034	26.26	0.688	17.48	0.106/0.166	2.69/4.22	0.433	11.00
8	A	4-40	0.594	15.09	0.900	22.86	0.570	14.48	0.106/0.166	2.69/4.22	0.308	7.82
10	A	4-40	0.719	18.26	1.034	26.26	0.720	18.29	0.106/0.166	2.69/4.22	0.433	11.00
10	B	6-32	0.812	20.62	1.202	30.53	0.749	19.02	0.123/0.183	3.12/4.65	0.433	11.00
12	A	4-40	0.812	20.62	1.119	28.42	0.855	21.72	0.106/0.166	2.69/4.22	0.530	13.46
12	B	6-32	0.938	23.83	1.327	33.71	0.938	23.83	0.123/0.183	3.12/4.65	0.530	13.46
14	A	4-40	0.906	23.01	1.213	30.81	1.031	24.99	0.106/0.166	2.69/4.22	0.624	15.85
14	B	6-32	1.031	26.19	1.421	36.09	0.984	26.19	0.123/0.183	3.12/4.65	0.624	15.85
16	A	4-40	0.969	24.61	1.295	32.89	1.094	27.79	0.106/0.166	2.69/4.22	0.687	17.45
16	B	6-32	1.125	28.58	1.515	38.48	1.125	28.58	0.123/0.183	3.12/4.65	0.687	17.45
18	A	4-40	1.062	26.97	1.421	36.09	1.220	30.99	0.106/0.166	2.69/4.22	0.780	19.81
18	B	6-32	1.203	30.56	1.593	40.46	1.234	31.34	0.123/0.183	3.12/4.65	0.780	19.81
19	A	4-40	0.906	23.01	1.207	30.66	0.953	24.21	0.106/0.166	2.69/4.22	0.620	15.75
20	A	4-40	1.156	29.36	1.550	39.37	1.345	34.16	0.106/0.166	2.69/4.22	0.874	22.20
20	B	6-32	1.297	32.94	1.703	43.26	1.359	34.52	0.123/0.183	3.12/4.65	0.865	21.97
22	A	4-40	1.250	31.75	1.680	42.67	1.478	37.54	0.106/0.166	2.69/4.22	0.968	24.59
22	B	6-32	1.375	34.93	1.753	44.53	1.483	37.67	0.123/0.183	3.12/4.65	0.907	23.04
24	A	6-32	1.500	38.10	1.906	48.41	1.560	39.62	0.123/0.183	3.12/4.65	1.000	25.40
24	B	6-32	1.375	34.93	1.800	45.72	1.595	40.51	0.123/0.183	3.12/4.65	1.031	26.19
25	A	6-32	1.500	38.10	1.906	48.41	1.658	42.11	0.123/0.183	3.12/4.65	1.125	28.58
27	A	4-40	0.969	24.61	1.270	32.26	1.094	27.79	0.106/0.166	2.69/4.22	0.683	17.35
28	A	6-32	1.562	39.67	2.015	51.18	1.820	46.23	0.123/0.183	3.12/4.65	1.125	28.58
32	A	6-32	1.750	44.45	2.327	59.11	2.062	52.37	0.123/0.183	3.12/4.65	1.188	30.18
36	A	6-32	1.938	49.23	2.515	63.88	2.312	58.72	0.123/0.183	3.12/4.65	1.375	34.93
37	A	4-40	1.187	30.15	1.515	38.48	1.281	32.54	0.106/0.166	2.69/4.22	0.874	22.20
61	A	4-40	1.437	36.50	1.827	46.41	1.594	40.49	0.106/0.166	2.69/4.22	1.062	26.97

FLANGE MOUNT

3/4 PERIMETER

TABLE B – MOUNTING FLANGE CONNECTOR APPLICATION DATA											
DASH NO/ CLASS	MIL-DTL-38999				MIL-DTL-5015	AS81703 SERIES 3	MIL-DTL-26482 SERIES 1 & 2	MIL-DTL-83723 SERIES III	MIL-DTL-26500 NAS 1599	MIL-C-81511	MIL-DTL-27599
	SERIES I	SERIES II	SERIES III	SERIES IV							
CONNECTOR SHELL SIZE											
3A						3					
7A						7					
8A		8			8S		8	8	8	8	8
10A	9	10	9 (A)		10SL		10	10	10	10	10
10B											
12A	11	12	11 (B)	11 (B)	12, 12S	12	12	12	12		12
12B											
14A	13	14	13 (C)	13 (C)	14, 14S	19	14	14	14	14	14
14B											
16A	15	16	15 (D)	15 (D)	16, 16S	27	16	16	16	16	16
16B											
18A	17	18	17 (E)	17 (E)	18		18	18	18	18	18
18B											
20A	19	20	19 (F)	19 (F)	20		20	20	20	20	20
20B											
22A	21	22	21 (G)	21 (G)	22		22	22	22	22	22
22B											
24A											
24B	23	24	23 (H)	23 (H)	24		24	24	24	24	24
25A	25		25 (J)	25 (J)							
27A											
28A					28						
32A											
36A											
37A						37					
61A						61					

FLANGE MOUNT

1/4 PERIMETER

M85049	/96	-10	A
SERIES	SLASH SHEET	DASH NUMBER	FINISH
		Table A	View Finish Table Pg. 10

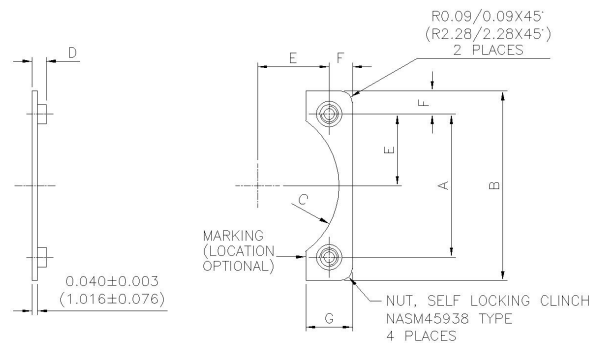


TABLE A

Dash Number	THREAD UNJC-3B	A		B Max.		C Min.		D		E		F Ref.		G Max.	
		±0.005	±0.127	inch	mm	inch	mm	inch	mm	inch	mm	inch	mm	inch	mm
		inch	mm	inch	mm	inch	mm	inch	mm	inch	mm	inch	mm	inch	mm
3	4-40	0.625	15.88	0.940	23.88	0.320	8.13	0.106/0.166	0.269/4.22	0.312	7.92	0.150	3.81	0.310	7.87
7	4-40	0.719	18.26	1.034	26.26	0.329	8.36	0.106/0.166	0.269/4.22	0.359	9.12	0.149	3.78	0.308	7.82
8	4-40	0.594	15.09	0.906	23.01	0.262	6.65	0.106/0.166	0.269/4.22	0.297	7.54	0.148	3.76	0.306	7.77
10	4-40	0.719	18.26	1.034	26.26	0.344	8.74	0.106/0.166	0.269/4.22	0.359	9.12	0.149	3.78	0.308	7.82
12	4-40	0.812	20.62	1.124	28.55	0.410	10.41	0.106/0.166	0.269/4.22	0.406	10.31	0.148	3.76	0.306	7.77
14	4-40	0.906	23.01	1.218	30.94	0.492	12.50	0.106/0.166	0.269/4.22	0.453	11.51	0.148	3.76	0.306	7.77
16	4-40	0.969	24.61	1.295	32.89	0.532	13.51	0.106/0.166	0.269/4.22	0.484	12.29	0.149	3.78	0.308	7.82
18	4-40	1.062	26.97	1.405	35.69	0.610	15.49	0.106/0.166	0.269/4.22	0.531	13.49	0.164	4.17	0.338	8.59
19	4-40	0.906	23.01	1.218	30.94	0.461	11.71	0.106/0.166	0.269/4.22	0.453	11.51	0.148	3.76	0.306	7.77
20	4-40	1.156	29.36	1.550	39.37	0.657	16.69	0.106/0.166	0.269/4.22	0.578	14.68	0.177	4.50	0.364	9.25
22	4-40	1.250	31.75	1.680	42.67	0.724	18.39	0.106/0.166	0.269/4.22	0.625	15.88	0.195	4.95	0.400	10.16
24	6-32	1.375	34.93	1.800	45.72	0.782	19.86	0.123/0.183	0.312/4.65	0.687	17.45	0.193	4.90	0.396	10.06
25	6-32	1.500	38.10	1.906	48.41	0.814	20.68	0.123/0.183	0.312/4.65	0.750	19.05	0.179	4.55	0.368	9.35
27	4-40	0.969	24.61	1.281	32.54	0.547	13.89	0.106/0.166	0.269/4.22	0.484	12.29	0.149	3.78	0.308	7.82
28	6-32	1.562	39.67	2.015	51.18	0.895	22.73	0.123/0.183	0.312/4.65	0.781	19.84	0.219	5.56	0.448	11.38
32	6-32	1.750	44.45	2.327	59.11	1.016	25.81	0.123/0.183	0.312/4.65	0.875	22.23	0.281	7.14	0.572	14.53
36	6-32	1.938	49.23	2.515	63.88	1.141	28.98	0.123/0.183	0.312/4.65	0.969	24.61	0.281	7.14	0.572	14.53
37	4-40	1.187	30.15	1.515	38.48	0.625	15.88	0.106/0.166	0.269/4.22	0.593	15.06	0.157	3.99	0.324	8.23
61	4-40	1.437	36.50	1.827	46.41	0.732	18.59	0.106/0.166	0.269/4.22	0.718	18.24	0.188	4.78	0.386	9.80

FLANGE MOUNT

1/4 PERIMETER

TABLE B – MOUNTING FLANGE CONNECTOR APPLICATION DATA											
DASH NO/ CLASS	MIL-DTL-38999				MIL-DTL-5015	AS81703 SERIES 3	MIL DTL-26482 SERIES 1 & 2	MILDTL-83723 SERIES III	MILDTL-26500 NAS 1599	MILC- 81511	MIL DTL-27599
	SERIES I	SERIES II	SERIES III	SERIES IV							
CONNECTOR SHELL SIZE											
3						3					
7						7					
8		8			8S		8	8	8	8	8
10	9	10	9(A)		10SL		10	10	10	10	10
12	11	12	11(B)	11(B)	12, 12S	12	12	12	12		12
14	13	14	13(C)	13(C)	14, 14S	19	14	14	14	14	14
16	15	16	15(D)	15(D)	16, 16S	27	16	16	16	16	16
18	17	18	17(E)	17(E)	18		18	18	18	18	18
20	19	20	19(F)	19(F)	20		20	20	20	20	20
22	21	22	21(G)	21(G)	22		22	22	22	22	22
24	23	24	23(H)	23(H)	24		24	24	24	24	24
25	25		25(J)	25(J)							
27											
28											
32											
36											
37						37					
61						61					

EMI/RFI SHIELD TERMINATION BANDS

M85049	/128	-3
SERIES	SLASH SHEET	STYLE
		Table A

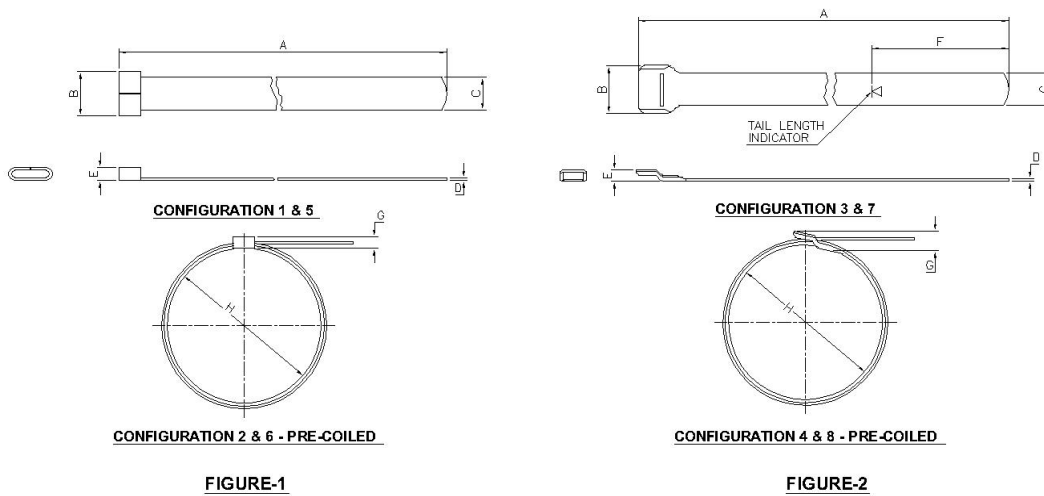


TABLE A

Configuration	Figure	A Dia		B		C		D		E		F		G		H	
		inch	mm	±0.030	±0.76	±0.010	±0.25	±0.003	±0.08	±0.015	±0.38	inch	mm	inch	mm	inch	mm
				inch	mm	inch	mm	inch	mm	inch	mm						
1	1	13.94/14.31	354.08/363.47	0.328	8.33	0.245	6.22	0.019	0.48	0.100	2.54	--	--	--	--	--	--
2	1	--	--	--	--	--	--	--	--	--	--	--	--	0.14	3.56	1.75	44.45
3	2	14.19/14.31	360.42/363.47	0.35	8.89	0.245	6.22	0.019	0.48	0.074	1.88	2.031	51.59	--	--	--	--
4	2	--	--	--	--	--	--	--	--	--	--	--	--	0.15	3.81	1.75	44.45
5	1	9.44/9.56	239.77/242.82	0.198	5.03	0.118	3.00	0.015	0.38	0.080	2.03	--	--	--	--	--	--
6	1	--	--	--	--	--	--	--	--	--	--	--	--	0.12	3.05	1.12	28.45
7	2	8.06/8.18	204.72/207.77	0.195	4.95	0.115	2.92	0.015	0.38	0.053	1.35	2.031	51.59	--	--	--	--
8	2	--	--	--	--	--	--	--	--	--	--	--	--	0.073	1.85	1.12	28.45

GASKET

5015 CONNECTORS

M85049	/130	-02	F
SERIES	SLASH SHEET	DASH NUMBER	BASE MATERIAL
		Table A	F N S V

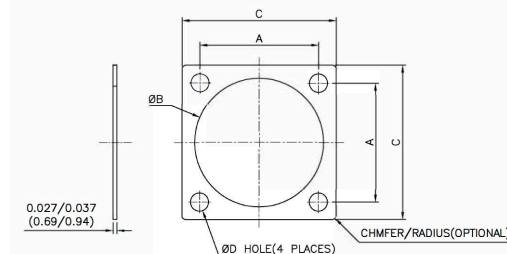


TABLE A

Dash Number	A		B		C		D	
	±0.015	±0.381	+0.02 / -0	+0.50 / -0	±0.015	±0.381	±0.010	±0.254
	inch	mm	inch	mm	inch	mm	inch	mm
01	0.594	15.09	0.568	14.43	0.812	20.62	0.125	3.18
02	0.594	15.09	0.500	12.70	0.875	22.23	0.156	3.96
03	0.625	15.88	0.603	15.32	0.896	22.76	0.125	3.18
04	0.719	18.26	0.680	17.27	0.937	23.80	0.125	3.18
05	0.719	18.26	0.625	15.88	1.000	25.40	0.156	3.96
05A	0.717	18.21	0.717	18.21	1.000	25.40	0.165	4.19
06	0.750	19.05	0.750	19.05	1.023	25.98	0.125	3.18
07	0.812	20.62	0.875	22.23	1.060	26.92	0.141	3.58
08	0.812	20.62	0.828	21.03	1.114	28.30	0.125	3.18
09	0.813	20.65	0.750	19.05	1.094	27.79	0.141	3.58
10	0.843	21.41	0.875	22.23	1.138	28.91	0.125	3.18
11	0.906	23.01	1.005	25.53	1.153	29.29	0.125	3.18
12	0.906	23.01	0.938	23.83	1.125	28.58	0.125	3.18
13	0.906	23.01	0.875	22.23	1.188	30.18	0.156	3.96
13A	0.906	23.01	0.969	24.61	1.181	30.00	0.165	4.19
14	0.969	24.61	1.135	28.83	1.258	31.95	0.156	3.96
15	0.969	24.61	1.063	27.00	1.250	31.75	0.125	3.18
16	0.969	24.61	1.000	25.40	1.281	32.54	0.156	3.96
16A	0.969	24.61	1.079	27.41	1.280	32.51	0.165	4.19
17	1.015	25.78	1.125	28.58	1.383	35.13	0.125	3.18
18	1.062	26.97	1.260	32.00	1.351	34.32	0.156	3.96
19	1.062	26.97	1.189	30.20	1.343	34.11	0.125	3.18
20	1.062	26.97	1.135	28.83	1.375	34.93	0.156	3.96
20A	1.063	27.00	1.213	30.81	1.378	35.00	0.165	4.19
21	1.140	28.96	1.312	33.32	1.508	38.30	0.125	3.18
22	1.156	29.36	1.375	34.93	1.500	38.10	0.141	3.58
23	1.156	29.36	1.312	33.32	1.467	37.26	0.125	3.18
24	1.156	29.36	1.250	31.75	1.500	38.10	0.177	4.50

GASKET

5015 CONNECTORS

TABLE A

Dash Number	A		B		C		D	
	±0.015	±0.381	+0.02 / -0	+0.50 / -0	±0.015	±0.381	±0.010	±0.254
	inch	mm	inch	mm	inch	mm	inch	mm
24	1.156	29.36	1.250	31.75	1.500	38.10	0.177	4.50
24A	1.157	29.39	1.346	34.19	1.496	38.00	0.165	4.19
25	1.187	30.15	1.266	32.16	1.458	37.03	0.125	3.18
26	1.250	31.75	1.500	38.10	1.625	41.28	0.141	3.58
27	1.250	31.75	1.437	36.50	1.562	39.67	0.125	3.18
28	1.250	31.75	1.375	34.93	1.625	41.28	0.177	4.50
28A	1.252	31.80	1.472	37.39	1.614	41.00	0.165	4.19
29	1.281	32.54	1.500	38.10	1.718	43.64	0.125	3.18
30	1.375	34.93	1.625	41.28	1.750	44.45	0.177	4.50
31	1.375	34.93	1.563	39.70	1.703	43.26	0.156	3.96
32	1.375	34.93	1.500	38.10	1.750	44.45	0.203	5.16
32A	1.374	34.90	1.610	40.89	1.752	44.50	0.165	4.19
33	1.392	35.36	1.625	41.28	1.818	46.18	0.141	3.58
34	1.436	36.47	1.570	39.88	1.799	45.69	0.125	3.18
35	1.500	38.10	1.750	44.45	1.875	47.63	0.177	4.50
36	1.562	39.67	1.750	44.45	2.000	50.80	0.203	5.16
36A	1.563	39.70	1.839	46.71	2.000	50.80	0.201	5.11
37	1.568	39.83	1.875	47.63	2.138	54.31	0.141	3.58
38	1.719	43.66	2.000	50.80	2.375	60.33	0.177	4.50
39	1.734	44.04	2.062	52.37	2.328	59.13	0.177	4.50
40	1.750	44.45	2.000	50.80	2.250	57.15	0.219	5.56
40A	1.752	44.50	2.102	53.39	2.244	57.00	0.201	5.11
41	1.906	48.41	2.250	57.15	2.625	66.68	0.219	5.56
42	1.938	49.23	2.250	57.15	2.500	63.50	0.219	5.56
42A	1.937	49.20	2.346	59.59	2.500	63.50	0.201	5.11
43	2.188	55.58	2.500	63.50	2.750	69.85	0.219	5.56
44	2.375	60.33	2.781	70.64	3.000	76.20	0.219	5.56
45	2.406	61.11	2.750	69.85	3.125	79.38	0.281	7.14
46	2.625	66.68	3.031	76.99	3.250	82.55	0.219	5.56
47	2.656	67.46	3.000	76.20	3.375	85.73	0.281	7.14
48	2.906	73.81	3.250	82.55	3.625	92.08	0.281	7.14
49	3.156	80.16	3.500	88.90	3.875	98.43	0.281	7.14

TABLE B

Material Designation	Material
F	Fluorosilicone accordance with AMS-R-25988 or MIL-DTL-25988
N	Neoprene accordance with AMS3208
S	Silicone accordance with AA-59588
V	Viton accordance with AMS7276, AMS7259, AMS3216, or AMS3218

RUBBER BUSHINGS

TELESCOPING FOR M85049 CABLE CLAMPS

M85049	/139	20	A
SERIES	SLASH NUMBER	DASH NUMBER	BASE MATERIAL
		Table A	

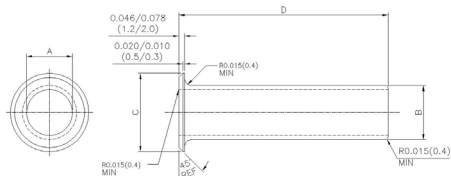


FIGURE 1 - CONFIGURATION AND DIMENSIONS

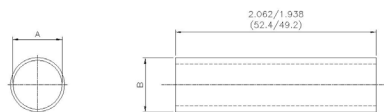


FIGURE 2 - CONFIGURATION AND DIMENSIONS

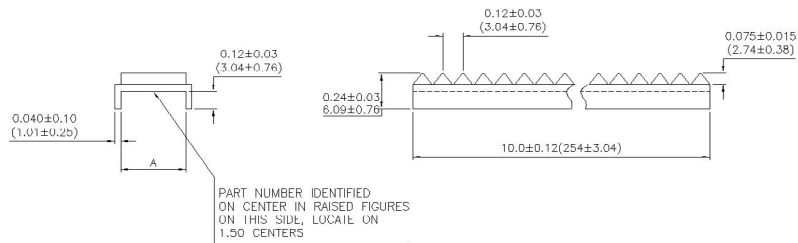
TABLE-A								
Dash No.	ØA		B Ø		C Ø		D Ø	
	inch (min/max)	mm (min/max)	inch (min/max)	mm (min/max)	inch (min/max)	mm (min/max)	inch (min/max)	mm (min/max)
3	0.110/0.150	2.8/3.8	0.190/0.230	4.8/5.8	0.363/0.395	9.2/10.0	2.844/2.906	72.2/73.8
4	0.200/0.240	5.1/6.1	0.282/0.322	7.2/8.2	0.489/0.521	12.4/13.2	2.719/2.781	69.1/70.6
6	0.292/0.332	7.4/8.4	0.407/0.447	10.3/11.4	0.603/0.635	15.3/16.1	2.594/2.656	65.9/67.5
8	0.410/0.464	10.4/11.8	0.525/0.579	13.3/14.7	0.728/0.760	18.5/19.3	2.469/2.531	62.7/64.3
10	0.535/0.589	13.6/15.0	0.535/0.652	13.6/16.6	0.873/0.905	22.2/23.0	2.344/2.406	59.5/61.1
12	0.598/0.652	15.2/16.6	0.713/0.767	18.1/19.5	1.068/1.100	27.1/27.9	2.219/2.281	56.4/57.9
16	0.723/0.777	18.4/19.7	0.900/0.954	22.9/24.2	1.298/1.330	33.0/33.8	2.094/2.156	53.2/54.8
20	0.898/0.976	22.8/24.8	1.201/1.279	30.5/32.5	1.582/1.614	40.2/41.0	1.969/2.031	50.0/51.6
24	1.211/1.289	30.8/32.7	1.326/1.404	33.7/35.7	1.831/1.863	46.5/47.3	1.844/1.906	46.8/48.4
28	1.336/1.414	33.9/35.9	1.575/1.653	40.0/42.0	2.069/2.101	52.6/53.4	1.719/1.781	43.7/45.2
32	1.573/1.675	40.0/42.5	1.813/1.915	46.1/48.6	2.319/2.351	58.9/59.7	1.594/1.656	40.5/42.1
40	1.823/1.925	46.3/48.9	2.313/2.415	58.8/61.3	2.819/2.851	71.6/72.4	1.469/1.531	37.3/38.9

TABLE-B				
Dash No.	ØA		B Ø	
	inch (min/max)	mm (min/max)	inch (min/max)	mm (min/max)
3	0.110/0.150	2.8/3.8	0.190/0.230	4.8/5.8
4	0.200/0.240	5.1/6.1	0.282/0.322	7.2/8.2
6	0.292/0.332	7.4/8.4	0.407/0.447	10.3/11.4
8	0.410/0.464	10.4/11.8	0.525/0.579	13.3/14.7
10	0.410/0.464	10.4/11.8	0.588/0.642	14.9/16.3
12	0.514/0.568	13.1/14.4	0.713/0.767	18.1/19.5
16	0.723/0.777	18.4/19.7	0.900/0.954	22.9/24.2
18	0.898/0.976	22.8/24.8	1.088/1.142	27.6/29.0
20	0.898/0.976	22.8/24.8	1.201/1.279	30.5/32.5
24	1.086/1.164	27.6/29.6	1.326/1.404	33.7/35.7
28	1.211/1.289	30.8/32.7	1.575/1.653	40.0/42.0
32	1.574/1.676	40.0/42.5	1.814/1.916	46.1/48.7
40	1.824/1.926	46.3/48.9	2.314/2.416	58.8/61.4

RUBBER BUSHING

TELESCOPING FOR M85049 CABLE CLAMPS

M85049	/127	20	A
SERIES	SLASH NUMBER	DASH NUMBER	BASE MATERIAL
		Table A	



Shell Size Accessory	A \varnothing +0.31 / -0.78		APPLICABLE ACCESSORIES (/118, /120, /121, /123)	APPLICABLE ACCESSORIES (/124, /126)
	mm	inch		
9	15.74	0.62	17.20	0.67
11	19.05	0.75	20.50	0.80
13	22.09	0.87	24.30	0.95
15	25.4	1.00	27.40	1.07
17	29.97	1.18	30.60	1.20
19	31.75	1.25	33.25	1.30
21	34.79	1.37	36.40	1.43
23	38.1	1.50	39.70	1.56
25	41.14	1.62	42.80	1.68

DUMMY RECEPTACLE

MIL-DTL 26482 Series I & Series II

JANMS3115	12	W
SERIES	SHELL SIZE	FINISH
	8 10 12 14 16 18 20 22 24	A: Hard anodize black K: Black zinc nickel L: Electroless nickel plate W: Cadmium olive drab

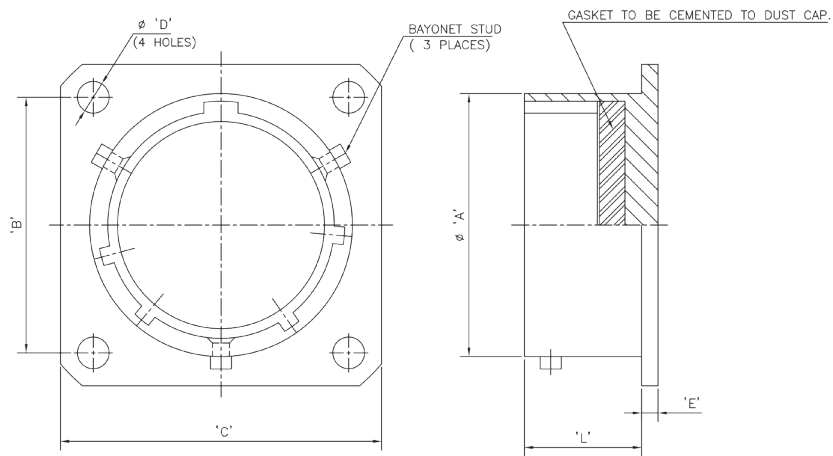


TABLE-A						
Shell Size	A +0.03 -0.13	B	C Max.	D +0.13	E +0.41	L +0.79 -0
08	12.01	15.09	21.03	3.05	1.57	11.73
10	14.99	18.26	24.23			
12	19.05	20.62	26.59			
14	22.22	23.01	28.98			
16	25.40	24.61	31.34			
18	28.57	26.97	33.73			
20	31.75	29.36	36.91			
22	34.92	31.75	40.08	3.73	2.39	14.12
24	38.10	34.93	43.26			14.96

D SUB BACKSHELL

Mil Part Number:

M85049	/48-2	-3	F
Series	SLASH SHEET	Dash Number (Table A)	F: Cadmium Yellow Passivation N: Electroless Nickel
	D Sub Backshell		

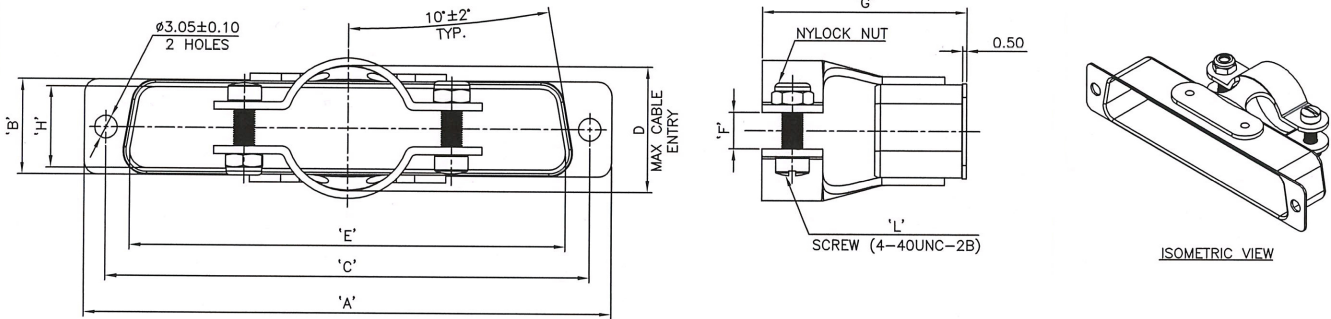


TABLE A

Dash #	Part Number		# of Pins		A		B		C		D		E	
	Cadmium Yellow Passivation	Electroless Nickel	STD. Density	High Density	inches	mm	inches	mm	inches	mm	inches	mm	inches	mm
1	M85049/48-2-1F	M85049/48-2-1N	9	15	1.223 1.193	31.06 30.30	.515 .485	13.08 12.32	.989 .979	25.12 24.87	0.406	10.31	.676 .646	17.17 16.41
2	M85049/48-2-2F	M85049/48-2-2N	15	26	1.546 1.516	39.26 38.51	.515 .485	13.08 12.32	1.317 1.307	33.45 33.20	0.406	10.31	.999 .969	25.37 24.61
3	M85049/48-2-3F	M85049/48-2-3N	25	44	2.093 2.063	53.16 52.40	.515 .485	13.08 12.32	1.857 1.847	47.17 46.91	0.593	15.06	1.530 1.500	38.86 38.10
4	M85049/48-2-4F	M85049/48-2-4N	37	62	2.733 2.703	69.42 68.66	.515 .485	13.08 12.32	2.505 2.495	63.63 63.37	0.718	18.24	2.186 2.156	55.52 54.76
5	M85049/48-2-5F	M85049/48-2-5N	50	78	2.640 2.610	67.06 66.29	.624 .594	15.85 15.09	2.411 2.401	61.24 60.99	0.812	20.62	2.108 2.078	53.54 52.78

TABLE A

Dash #	Part Number		# of Pins		F		G		H		L (+/-0.031; +/-0.78)	
	Cadmium Yellow Passivation	Electroless Nickel	STD. Density	High Density	inches	mm	inches	mm	inches	mm	inches	mm
1	M85049/48-2-1F	M85049/48-2-1N	9	15	.140 .110	3.56 2.79	1.061 1.001	26.95 25.43	.359 .329	9.12 8.36	0.375	9.53
2	M85049/48-2-2F	M85049/48-2-2N	15	26	.140 .110	3.56 2.79	1.061 1.001	26.95 25.43	.359 .329	9.12 8.36	0.375	9.53
3	M85049/48-2-3F	M85049/48-2-3N	25	44	.202 .172	5.13 4.37	1.092 1.032	27.74 26.21	.359 .329	9.12 8.36	0.375	9.53
4	M85049/48-2-4F	M85049/48-2-4N	37	62	.265 .235	6.73 5.97	1.092 1.032	27.74 26.21	.359 .329	9.12 8.36	0.500	12.70
5	M85049/48-2-5F	M85049/48-2-5N	50	78	.327 .297	8.31 7.54	1.092 1.032	27.74 26.21	.453 .423	11.51 10.74	0.625	15.88



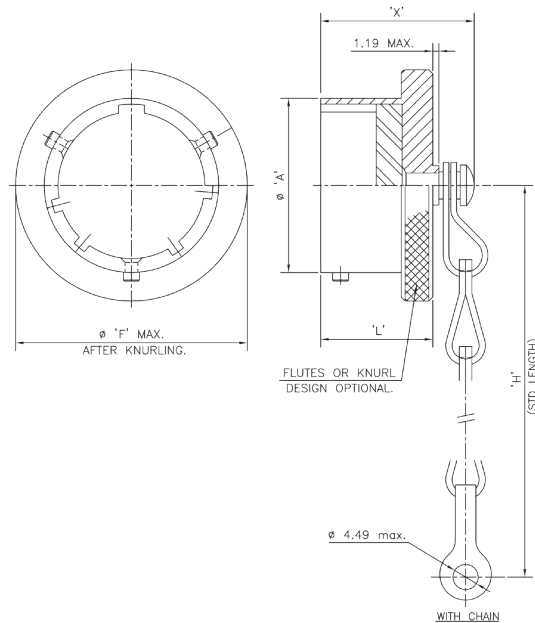
QPL DUST CAPS

Environmental protection for circular connectors.

PROTECTIVE CAPS JANMS3180

MIL-DTL-26482

JANMS3180	10	C	A	L
Designates Plug Dust Cover	SHELL SIZE	STYLE	FINISH	LENGTH
	8 10 12 14 16 18 20 22 24	C: W/ Chain R: W/ SS Rope	A: Hard Anodize Black K: Black Zinc Nickel L: Electroless Nickel W: Cadmium Olive Drab	L: 5 in. Chain /Rope in lieu of standard length (Omit for st. length "H")

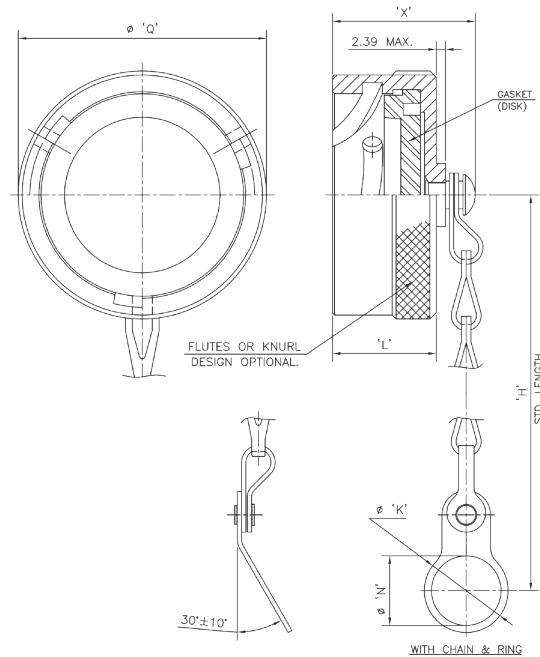


Shell Size	A ϕ +0.03 / -0.13		F ϕ Max. Overall		H Std. Length +12.70 / -6.35		L Max. Length		X Max. Overall	
	mm	inch	mm	inch	mm	inch	mm	inch	mm	inch
8	12.01	0.47	18.26	0.71	76.20	3	14.27	0.56	19.84	0.78
10	14.99	0.59	21.44	0.84						
12	19.05	0.75	25.40	1						
14	22.22	0.87	28.58	1.12						
16	25.40	1	31.75	1.25	88.90	3.5				
18	28.58	1.12	34.92	1.37						
20	31.75	1.25	38.10	1.5						
22	34.92	1.37	41.28	1.62	101.60	4	15.88	0.62	21.44	0.84
24	38.10	1.5	44.45	1.75			16.71	0.65	22.22	0.87

JANMS3181 PROTECTIVE CAPS

MIL-DTL-26482

JANMS3181	10	C	A	L
Designates Receptacle Dust Cover	SHELL SIZE	STYLE	FINISH	LENGTH
	8 10 12 14 16 18 20 22 24	C: W/ Chain N: W/ Chain & Ring R: W/ SS Rope	A: Hard Anodize Black K: Black Zinc Nickel L: Electroless Nickel W: Cadmium Olive Drab	L: 5 in. Chain /Rope in lieu of standard length (Omit for st. length "H")

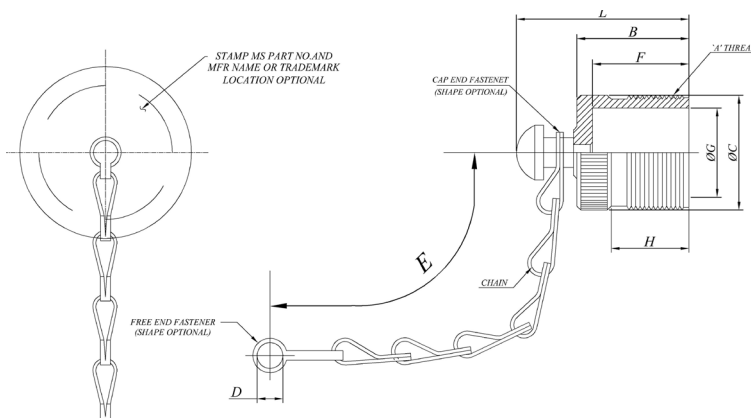


Shell Size	X Max. Overall		H Std. Length +12.70 / -6.35		K Ø Max. Length		L Max.		N Ø Min.		Q Ø Max. Overall	
	mm	inch	mm	inch	mm	inch	mm	inch	mm	inch	mm	inch
8	21.44	0.84	76.20	3	20.62	0.81	14.27	0.56	14.68	0.57	18.64	0.73
10					25.4	1			17.86	0.70	21.82	0.85
12					30.18	1.18			22.63	0.89	25.40	1
14					36.53	1.43			25.81	1.01	28.58	1.12
16			39.67	1.56	28.98	1.14			31.75	1.25		
18			42.88	1.68	32.16	1.26			34.92	1.37		
20			47.55	1.87	35.33	1.39			38.10	1.5		
22			49.23	1.93	38.51	1.51			41.28	1.62		
24	22.22	0.87	101.60	4	52.37	2.06	15.29	0.6	41.68	1.64	44.45	1.75

MS25042 PLUG DUST CAPS

AS50151

MS25042	10	D
Designates Plug Dust Cover	SHELL SIZE	FINISH
	8	D: Cadmium Olive Drab over Electroless Nickel DA: Black Anodize Per AMS-8625, Type II, Class II
	10	
	12	
	14	
	16	
	18	
	20	
	22	
	24	
28		
32		
36		
40		
44		
48		

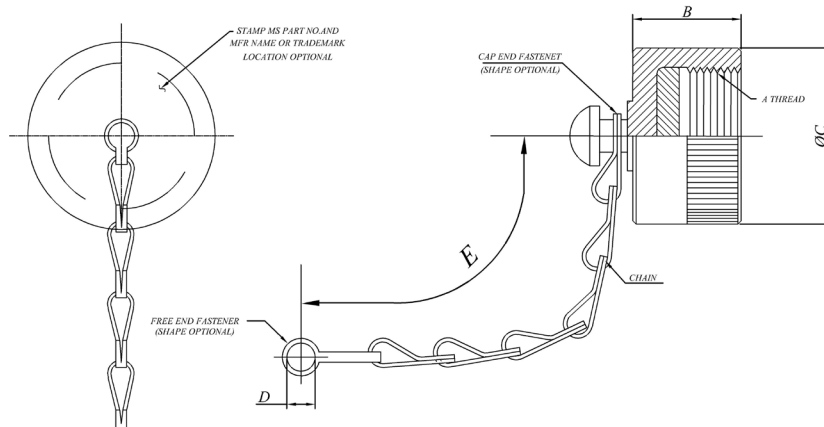


Shell Size	A Thread-2B	B Max.		C Max.		D Max.		E Attachment ± 1mm		F Ref.		G Ref.		H Min.		L Max.											
		mm	inch	mm	inch	mm	inch	mm	inch	mm	inch	mm	inch	mm	inch	mm	inch										
8	0.500-28 UNEF	16.7	0.65	14.3	0.56	3.8	0.14	101.6	4	14.3	0.56	9.5	0.37	9.7	0.38	24.6	0.97										
10	0.625-24 UNEF	21.4	0.84	17.4	0.68			4.6	0.18	114.3	4.5	19.1	0.75					0.75	0.46								
12	0.750-20 UNEF			20.6	0.81	4.6	0.18							114.3	4.5	19.1	0.75	14.3	0.56	13.5	0.53						
14	0.875-20 UNEF			23.8	0.93													4.6	0.18			114.3	4.5	19.1	0.75	17.5	0.68
16	1.000-20 UNEF			27.0	1.06																					4.6	0.18
18	1.125-18 UNEF			30.1	1.18	4.6	0.18							114.3	4.5	19.1	0.75	23.8	0.93								
20	1.250-18 UNEF			33.3	1.31			4.6	0.18	114.3	4.5	19.1	0.75					27.0	1.06								
22	1.375-18 UNEF			36.5	1.43	4.6	0.18							114.3	4.5	19.1	0.75	30.2	1.18	13.5	0.53						
24	1.500-18 UNEF			39.7	1.56			4.6	0.18	114.3	4.5	19.1	0.75					33.3	1.31			29.4	1.15				
28	1.750-18 UNEF			46.0	1.81	4.6	0.18							114.3	4.5	19.1	0.75	38.9	1.53								
32	2.000-18 UNEF			52.4	2.06			4.6	0.18	114.3	4.5	19.1	0.75					45.2	1.77								
36	2.250-16 UN	58.7	2.31	4.6	0.18	114.3	4.5							19.1	0.75	50.8	2										
40	2.500-16 UN	65.1	2.56					4.6	0.18	114.3	4.5	19.1	0.75			57.2	2.25	15.0	0.59								
44	2.750-16 UN	71.4	2.81	4.6	0.18	114.3	4.5							19.1	0.75	63.5	2.5										
48	3.000-16 UN	77.8	3.06					4.6	0.18	114.3	4.5	19.1	0.75			69.9	2.75										

MS25043 RECEPTACLE DUST CAPS

AS50151

MS25043	10	D
Designates Receptacle Dust Cover	DASH NUMBER	FINISH
	8 10 12 14 16 18 20 22 24 28 32 36 40 44 48	D: Cadmium Olive Drab over Electroless Nickel DA: Black Anodize Per AMS-8625, Type II, Class II

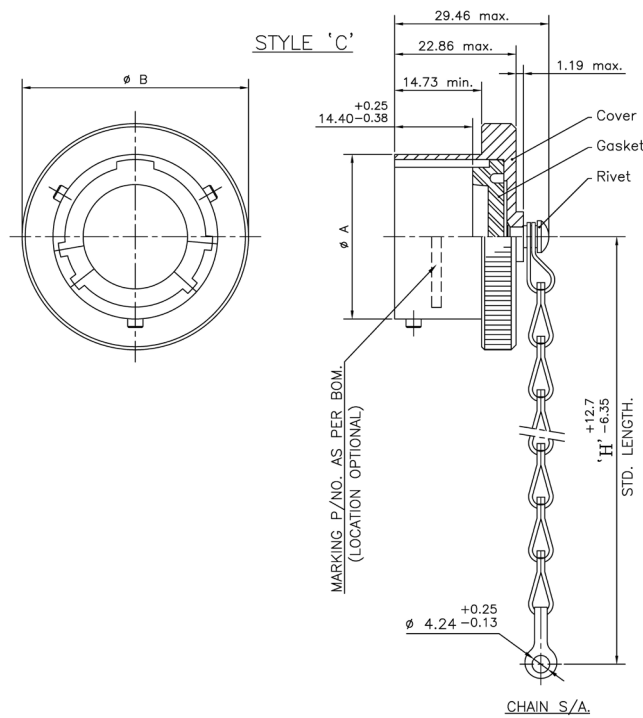


Shell Size	A Thread-2B	B Max.		C Max.		L Max. Length		E Attachment Length ± 1mm		L Max.	
		mm	inch	mm	inch	mm	inch	mm	inch	mm	inch
8	0.500-28 UNEF	11.9	0.46	17.5	0.68	3.4	0.13	101.6	4	19.1	0.75
10	0.625-24 UNEF			20.7	0.81						
12	0.750-20 UNEF			25.4	1						
14	0.875-20 UNEF			28.6	1.12						
16	1.000-20 UNEF			30.2	1.18						
18	1.125-18 UNEF			34.1	1.34						
20	1.250-18 UNEF			37.3	1.46						
22	1.375-18 UNEF			40.5	1.59						
24	1.500-18 UNEF	13.5	0.53	43.7	1.72	4.2	0.16	127.0	5	20.6	0.81
28	1.750-18 UNEF			50.0	1.96	4.6	0.18				
32	2.000-18 UNEF			56.4	2.22						
36	2.250-16 UN			62.7	2.46						
40	2.500-16 UN			69.0	2.71						
44	2.750-16 UN			75.4	2.96						
48	3.000-16 UN	81.0	3.18								

JANMS27501 PLUG DUST CAPS

MIL-DTL-38999 Series I

JANMS27501	B	11	C	L
Designates Plug Dust Cover	FINISH	SHELL SIZE	STYLE	LENGTH
	B: Cadmium Olive Drab C: Hard Anodize Black F: Electroless Nickel Z: Black Zinc Nickel	9 11 13 15 17 19 21 23 25	C: W/ Chain A: W/O Chain	L: 5 in. Chain M: 6 in. Chain N: 7 in. Chain (Omit for standard length "H")

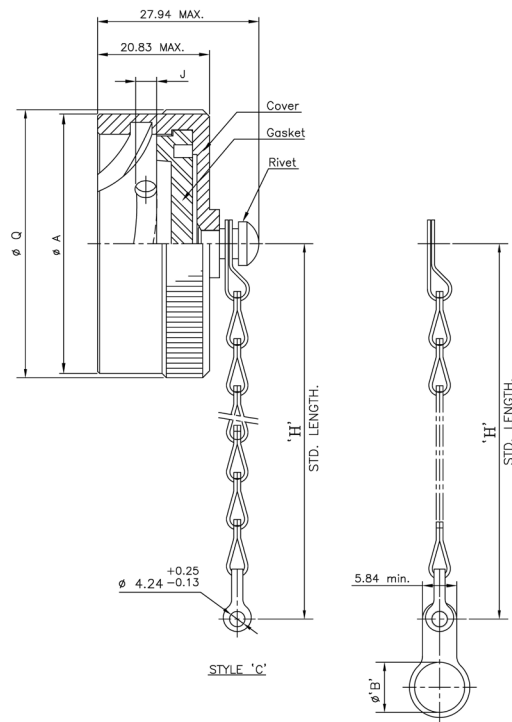


Shell Size	A ϕ		B ϕ Max.		H Std. Length +12.70 / -6.35	
	mm	inch	mm	inch	mm	inch
9	14.53	0.57	20.83	0.82	76.20	3
11	17.78	0.7	23.88	0.94		
13	21.59	0.85	27.18	1.07	88.90	3.5
15	24.77	0.97	30.23	1.19		
17	27.94	1.1	33.53	1.32		
19	30.66	1.20	36.58	1.44	101.60	4
21	33.83	1.33	39.88	1.57		
23	37.01	1.45	42.93	1.69		
25	40.18	1.58	46.23	1.82		

JANMS27502 RECEPTACLE DUST CAPS

MIL-DTL-38999 Series I

JANMS27502	B	11	C	L
Designates Receptacle Dust Cover	FINISH	SHELL SIZE	STYLE	LENGTH
	B: Cadmium Olive Drab C: Hard Anodize Black F: Electroless Nickel Z: Black Zinc Nickel	9 11 13 15 17 19 21 23 25	A: W/O Chain C: W/ Chain N: W/ Chain & Ring	L: 5 in. Chain /Rope in lieu of standard length (Omit for st. length "H")

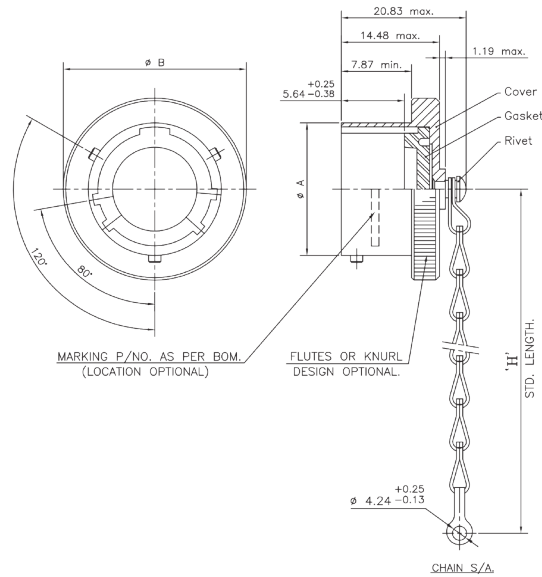


Shell Size	A Ø Max.		B Ø Min.		H Std. Length +12.70 / -6.35		J +0.38		Q Dia. Max.	
	mm	inch	mm	inch	mm	inch	mm	inch	mm	inch
9	20.83	0.82	17.78	0.7	76.20	3	2.67	0.105	21.84	0.85
11	23.88	0.94	21.34	0.84					24.89	0.97
13	27.94	1.1	25.65	1.00	88.90	3.5			29.46	1.15
15	30.99	1.22	28.96	1.14					32.51	1.27
17	34.05	1.34	32.00	1.25					35.81	1.40
19	37.08	1.45	35.31	1.39	101.60	4			38.61	1.52
21	40.13	1.57	38.35	1.50			41.91	1.65		
23	43.18	1.7	41.66	1.64			44.96	1.77		
25	46.48	1.82	44.70	1.75			3.51	0.13	48.01	1.8

JANMS27510 PLUG DUST CAPS

MIL-DTL-38999 Series II

JANMS27510	C	8	A	L
Designates Plug Dust Cover	FINISH	SHELL SIZE	STYLE	LENGTH
	B: Cadmium Olive Drab C: Hard Anodize Black F: Electroless Nickel Z: Black Zinc Nickel	8 10 12 14 16 18 20 22 24	C: W/ Chain A: W/O Chain	L: 5 in. Chain /Rope in lieu of standard length M: 6 in. Chain N: 7 in. Chain (Omit for standard length "H")

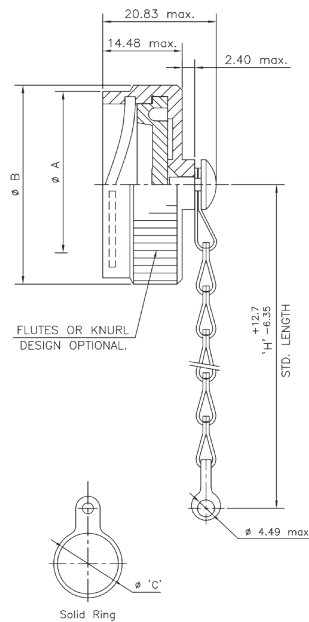


Shell Size	A ϕ +0.02 / -0.13		B ϕ Max. Overall		H Std. Length +12.70 / -6.35	
	mm	inch	mm	inch	mm	inch
8	12.01	0.47	18.29	0.72	76.20	3
10	14.99	0.59	21.59	0.85		
12	19.05	0.75	25.40	1	88.90	3.5
14	22.22	0.87	28.70	1.12		
16	25.40	1	31.75	1.25		
18	28.58	1.12	35.05	1.37		
20	31.75	1.25	38.10	1.5	101.60	4
22	34.92	1.37	41.40	1.62		
24	38.10	1.5	44.45	1.75		

JANMS27511 RECEPTACLE DUST CAPS

MIL-DTL-38999 Series II

JANMS27511	B	10	A	L
Designates Receptacle Dust Cover	FINISH	SHELL SIZE	STYLE	LENGTH
	B: Cadmium Olive Drab C: Hard Anodize Black F: Electroless Nickel Z: Black Zinc Nickel	8 10 12 14 16 18 20 22 24	A: W/O Chain C: W/ Chain N: W/ Chain & Ring R: S.S Rope (3.28 max. 08 to 22 size) (3.68 max. 24 size)	L: 5 in. Chain /Rope in lieu of standard length (Omit for st. length "H")

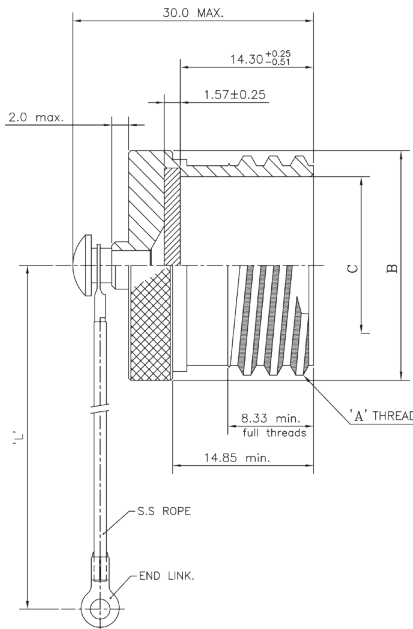


Shell Size	A Ø Max.		B Ø Max.		C Ø Min.		H Std. Length +12.70 / -6.35	
	mm	inch	mm	inch	mm	inch	inch	mm
8	16.00	0.62	19.05	0.75	22.61	0.89	76.20	3
10	19.33	0.76	21.82	0.85	25.65	1.00		
12	23.77	0.93	26.19	1.03	28.96	1.14	88.90	3.5
14	27.28	1.07	29.36	1.15	32.0	1.25		
16	29.77	1.17	32.54	1.28	35.31	1.39		
18	33.12	1.30	35.71	1.40	38.35	1.50	101.60	4
20	36.45	1.43	38.89	1.53	41.66	1.64		
22	39.62	1.55	41.68	1.64	44.70	1.75		
24	42.88	1.68	44.86	1.76	48.0	1.88		

JAND38999/32 PLUG CAPS

MIL-DTL-38999 Series III

JAND38999/32	W	15	R
Designates Plug Dust Cover	FINISH	SHELL SIZE	STYLE
	W: Aluminum Alloy 500 Hrs. Cadmium Olive Drab Z: Aluminum Alloy 500 Hrs. Black Zinc Nickel F: Aluminum Alloy 48 Hrs. Electroless Nickel	9 11 13 15 17 19 21 23 25	N: W/ SS Rope & Ring R: W/ SS Rope

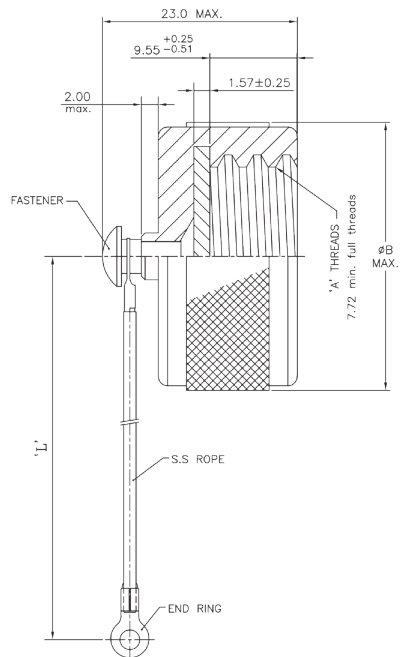


Shell Size	A Ø +0.02 / -0.13		B Ø Max.		C Ø Max. +0.00/-0.15"		D Ø Max.		E Ø Min.		F		L +13.00/-7.00	
	mm	inch	mm	inch	mm	inch	mm	inch	mm	inch	mm	inch	mm	inch
9	15.74	0.62	17.20	0.67	12.50	0.49	24.00	0.94	13.00	0.51	24.00	14.50	127.00	5
11	19.05	0.75	20.50	0.80	15.75	0.62	27.00	1.06	18.00	0.70	20.50	18.00		
13	22.09	0.87	24.30	0.95	19.53	0.76	30.00	1.18	20.00	0.78	27.00	20.00		
15	25.4	1.00	27.40	1.07	22.71	0.89	31.00	1.22	23.00	0.90	22.50	18.00		
17	29.97	1.18	30.60	1.20	25.88	1.018	37.00	1.45	26.00	1.02	30.50	23.50		
19	31.75	1.25	33.25	1.30	28.55	1.12	40.00	1.57	29.00	1.14	31.50	23.50		
21	34.79	1.37	36.40	1.43	31.72	1.248	44.00	1.73	32.00	1.25	33.00	26.50		
23	38.1	1.50	39.70	1.56	34.90	1.37	46.00	1.81	34.00	1.33	34.00	26.50		
25	41.14	1.62	42.80	1.68	38.07	1.49	49.00	1.92	39.00	1.53	38.00	30.00		

JAND38999/33 RECEPTACLE CAPS

MIL-DTL-38999 Series III

JAND38999/33	W	15	R
Designates Receptacle Dust Cover	FINISH	SHELL SIZE	STYLE
	W: Aluminum Alloy 500 Hrs. Cadmium Olive Drab Z: Aluminum Alloy 500 Hrs. Black Zinc Nickel F: Aluminum Alloy 48 Hrs. Electroless Nickel	9 11 13 15 17 19 21 23 25	N: W/ SS Rope & Ring R: W/ SS Rope



Shell Size	A Ø +0.02 / -0.13		B Ø Max.		C Ø Max. +0.00/-0.15"		D Ø Max.		L +13.00/-7.00	
	mm	inch	mm	inch	mm	inch	mm	inch	mm	inch
9	15.74	0.62	23.0	0.90	27.0	1.06	17.64	0.69	127.00	5
11	19.05	0.75	28.0	1.10	32.0	1.25	21.97	0.86		
13	22.09	0.87	31.0	1.22	37.0	1.45	25.12	0.98		
15	25.4	1.00	32.0	1.25	40.0	1.57	29.92	1.17		
17	29.97	1.18	37.0	1.45	44.0	1.73	32.0	1.25		
19	31.75	1.25	39.0	1.53	46.0	1.81	36.27	1.42		
21	34.79	1.37	42.0	1.65	49.0	1.92	38.25	1.50		
23	38.1	1.50	45.0	1.77	54.0	2.12	42.62	1.67		
25	41.14	1.62	49.0	1.92	56.0	2.20	44.45	1.75		