

**OBSOLETE**

**SPECIFICATIONS:**

**MATERIAL:-**

HOUSING: NYLON PA9T G.F.(UL94V-0), BLACK

TERMINAL: BRASS

SHIELD: BRASS

**FINISH:-**

TERMINAL: GOLD PLATING ON CONTACT AREA,  
TIN PLATING ON SOLDER TAIL

SHIELD: NICKEL PLATING ALL OVER

**ELECTRICAL:**

CURRENT RATING: 1.5 AMP MAX.

DIELECTRIC WITHSTANDING VOLTAGE: 500V AC RMS  
FOR 60 SECS

CONTACT RESISTANCE: 30 mΩ MAX.

INSULATION RESISTANCE: 100 MΩ MIN. AT 500V DC

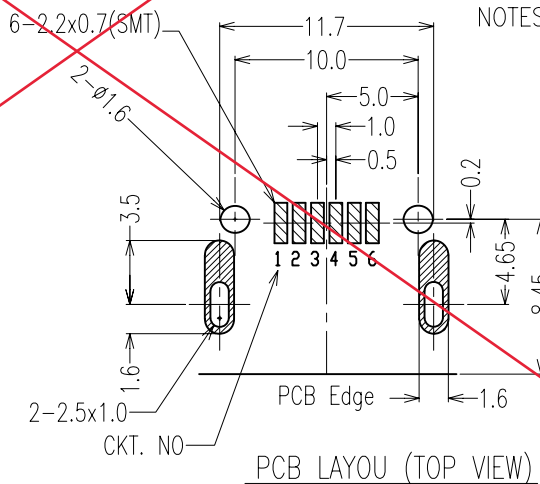
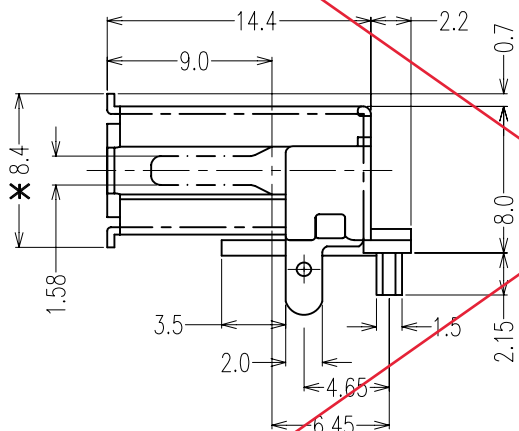
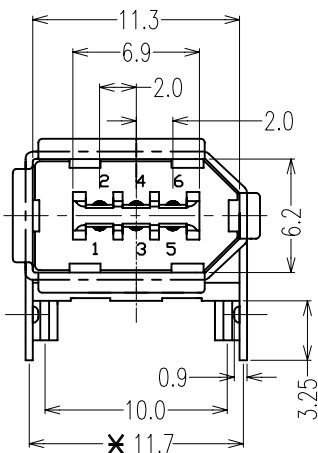
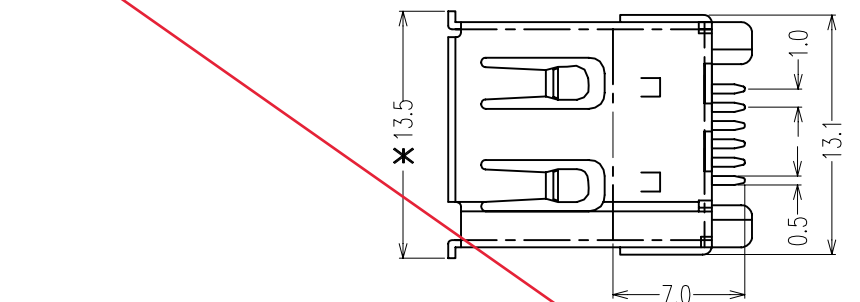
**MECHANICAL:-**

DURABILITY: 1500 CYCLES

**ENVIRONMENTAL:-**

TEMPERATURE RANGE: -55°C ~ +85°C

**NOTES:** ALL DIMENSIONS AND NOTES  
MARKED \* ARE CRITICAL AND  
MUST BE CHECKED IN ACCORDANCE  
WITH QUALITY DOC. Q1-02A



Allan	2	28.01.08	A109
Allan	1	01.08.06	-
NAME	ISS.	DATE	C/NOTE
APPROVED: <i>[Signature]</i>			
CHECKED: <i>[Signature]</i>			
DRAWN: Allan		CUSTOMER REF.:	
ASSEMBLY DRG:			

**TOLERANCES**  
X.X = ±0.30mm  
X.XX = ±0.30mm

**HARWIN**

HARWIN USA  
TEL: 603 893 5376  
FAX: 603 893 5396  
mis@harwin.com

HARWIN Europe (UK)  
TEL: 023 9231 4545  
FAX: 023 9231 4590  
mis@harwin.co.uk

HARWIN Asia  
TEL: +65 6 779 4909  
FAX: +65 6 779 3868  
mis@harwin.com.sg

THIS DRAWING AND ANY  
INFORMATION OR DESCRIPTIVE  
MATTER SET OUT HEREON ARE  
CONFIDENTIAL AND COPYRIGHT  
PROPERTY OF THE HARWIN  
GROUP AND MUST NOT BE  
DISCLOSED, LOANED, COPIED  
OR USED FOR MANUFACTURING,  
TENDERING OR FOR ANY  
OTHER PURPOSE WITHOUT  
THEIR WRITTEN PERMISSION.

**TOLERANCES**  
X. = ±1mm  
X.X = ±0.25mm  
X.XX = ±0.10mm  
X.XXX = ±0.01mm  
ANGLES = ±5°  
UNLESS STATED

**MATERIAL:**  
SEE NOTES  
**FINISH:**  
SEE NOTES  
**S/AREA:** mm<sup>2</sup>

**TITLE:**  
IEEE 1394, PCB MOUNT SMT TYPE,  
METAL SHIELD, FEMALE  
**DRAWING NUMBER:**  
M702-230642  
SHT 1 OF 1