

## Double-Balanced Mixer

Rev. V3

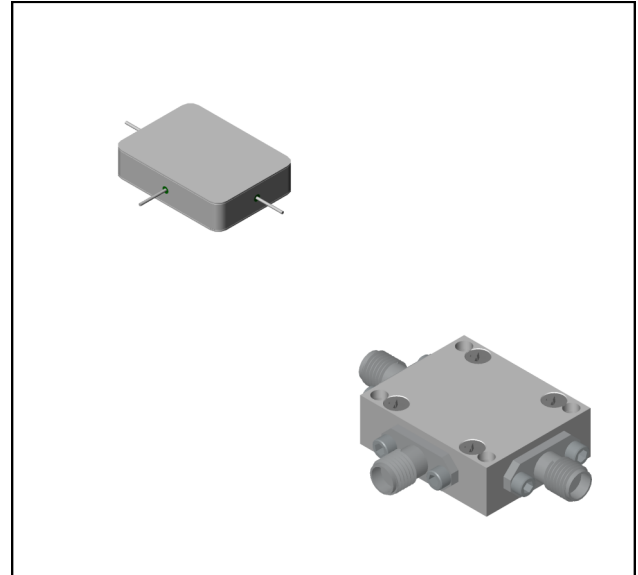
### Features

- LO 7 TO 17 GHz
- RF 9 TO 15 GHz
- IF DC TO 2.5 GHz
- LO DRIVE: +10 dBm (NOMINAL)
- LOW NOISE FIGURE: 6.5 dB (TYP.)

### Description

The M67 is a double balanced mixer, designed for use in military, commercial and test equipment applications. The design utilizes Schottky ring quad diodes and broadband soft dielectric and ferrite baluns to attain excellent performance. This mixer can also be used as a phase detector and/or bi-phase modulator since the IF port is DC coupled to the diodes. The use of high temperature solder and welded assembly processes used internally makes it ideal for use in manual, semi-automated assembly. Environmental screening available to MIL-STD-883, MIL-STD-202, or MIL-DTL-28837, consult factory.

### Product Image



### Ordering Information

Part Number	Package
M67	Minpac
M67C	SMA Connectorized

M/A-COM Technology Solutions Inc. All rights reserved.

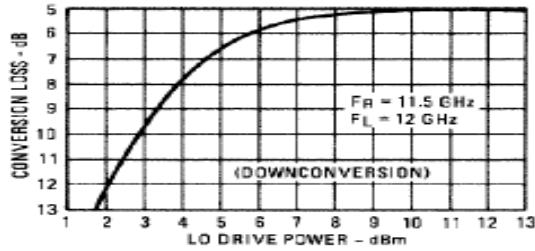
**Electrical Specifications** is  $Z_0 = 50\Omega$ ,  $Lo = +10\text{ dBm}$  (Down Converter Application only) products. These materials are provided by MACOM as a service to its customers and may be used for

Parameter	Test Conditions	Units	Typical	Guaranteed	
				+25°C	-54° to +85°C
SSB Conversion Loss (max) & SSB Noise Figure (max)	fR = 9.5 to 13 GHz, fL = 9 to 13.5 GHz, fl = 30 to 500 GHz	dB	5.5	7.0	7.5
	fR = 9 to 15 GHz, fL = 8 to 16 GHz, fl = 30 to 1000 GHz	dB	6.5	8.5	9.0
	fR = 9 to 15 GHz, fL = 7 to 17 GHz, fl = 30 to 2000 GHz	dB	6.5	9.0	9.5
	fR = 9.5 to 13.5 GHz, fL = 7 to 16 GHz, fl = 30 to 2500 GHz	dB	6.5	9.0	9.5
Isolation, L to R (min)	fL = 7 to 15 GHz	dB	40	22	20
	fL = 15 to 17 GHz	dB	30	10	8
Isolation, L to I (min)	fL = 7 to 17 GHz	dB	25	15	13
1 dB Conversion Comp.	fL = +10 dBm	dBm	+4		
Input IP3	fR1=11.5 GHz at -6 dBm, fR2=11.5GHz at -6 dBm, fL = 12 GHz at +10 dBm	dBm	+11		

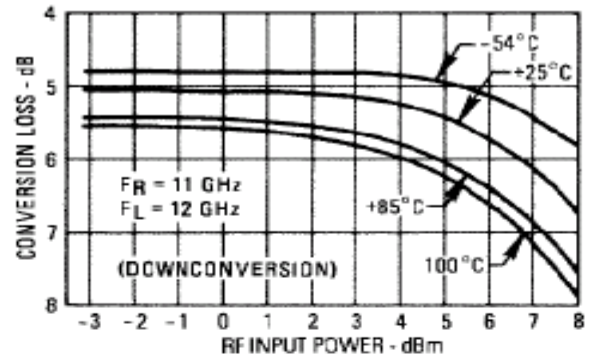
MACOM does not warrant, represent or make any claim for any damages resulting from such improper use or care.

### Typical Performance Curves

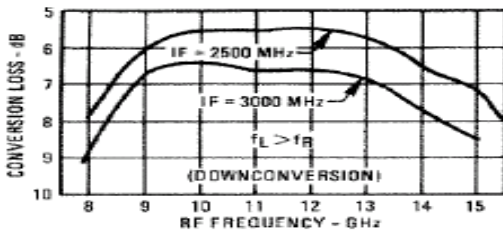
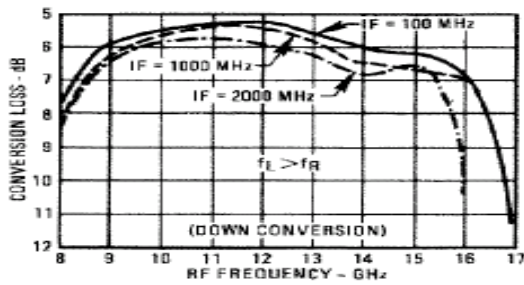
Conversion Loss vs. LO Drive



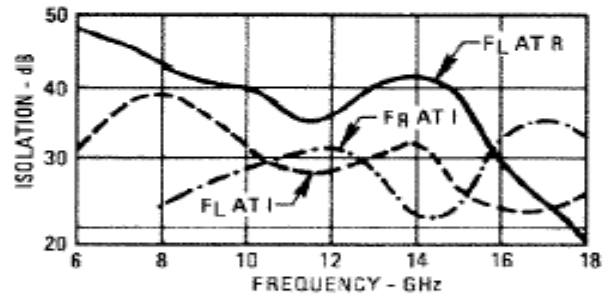
Conversion Loss vs. RF Input Power



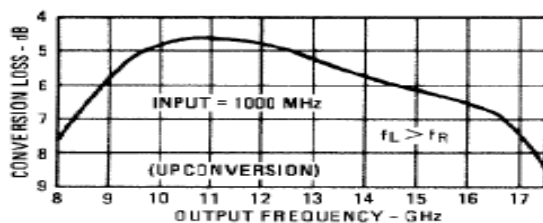
Conversion Loss vs. Frequency



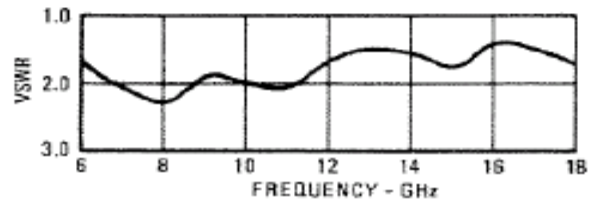
Isolation vs. Frequency



Conversion Loss vs. Output Frequency



L-Port VSWR vs. Frequency



solutions  
tion with  
DM as a  
MACOM  
ment, M  
ns in th  
, without  
atsoever  
s. No lic  
ocumen

HOUGHT  
OF M  
A PA  
R INFR  
COM FU  
EXT, GR  
ABLE F  
OUT LIM  
ITATION,  
LOST RE  
VENUES  
OR LOST  
PROFITS,  
MATERIALS.

medical, lifesaving or life sustaining applications. MACOM  
e in such applications do so at their own risk and agree to  
om such improper use or sale.

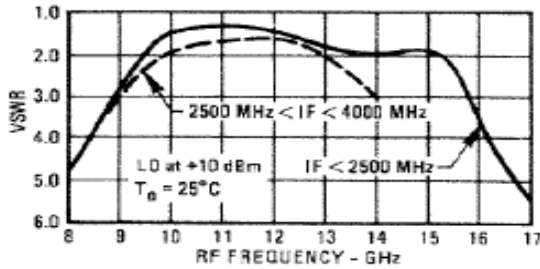
## Double-Balanced Mixer

Rev. V3

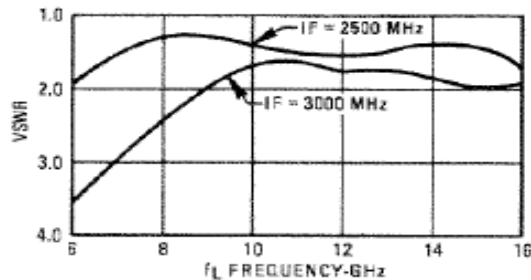
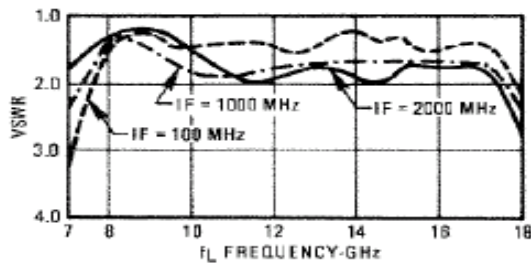
### Absolute Maximum Ratings

Parameter	Absolute Maximum
Operating Temperature	-54°C to +100°C
Storage Temperature	-65°C to +100°C
Peak Input Power	+23 dBm max @ +25°C +20 dBm max @ +100°C
Peak Input Current	50 mA DC

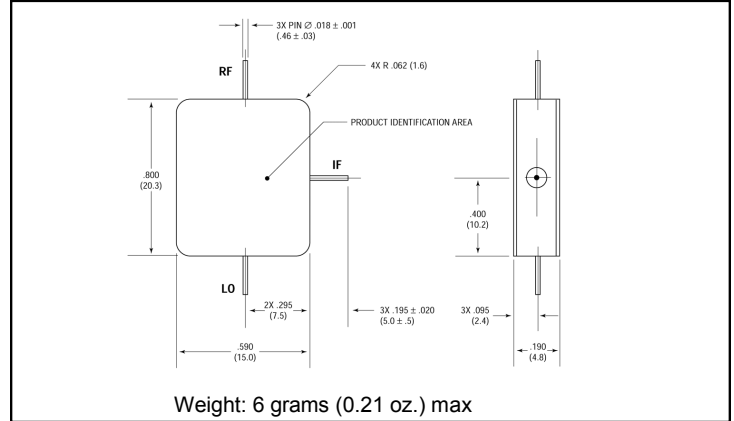
### R-Port VSWR vs. Frequency



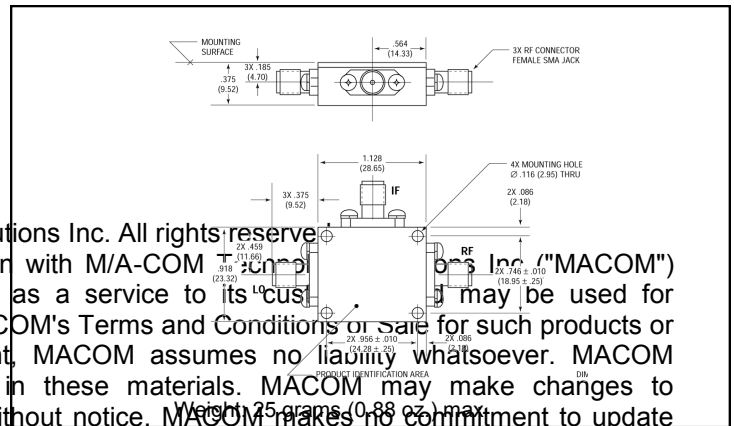
### I-Port VSWR vs. f<sub>L</sub>



### Outline Drawing: Minpac \*



### Outline Drawing: SMA Connectorized \*



© Solutions Inc. All rights reserved. No part of this document may be reproduced or transmitted in any form or by any means electronic or mechanical, including photocopying, recording, or by any information storage and retrieval system, without permission in writing from MACOM Technology Solutions Inc. ("MACOM"). MACOM is a service to its customers. This document may be used for internal or external presentations, but it is not to be distributed outside the organization without the express written permission of MACOM. MACOM assumes no liability whatsoever for any errors or omissions in these materials. MACOM may make changes to this document without notice. MACOM makes no commitment to update this document for conflicts or incompatibilities arising from future releases. No license, express or implied, by estoppel or otherwise, is granted by MACOM for any use of this document.

\* Dimensions are inches (millimeters) ±0.015 (0.38) unless otherwise specified.

MACOM TECHNOLOGY SOLUTIONS INC. MAKES NO WARRANTY OF ANY KIND, EITHER EXPRESS OR IMPLIED, FOR THE USE OR PERFORMANCE OF MACOM PRODUCTS INCLUDING LIABILITY OR WARRANTIES ARISING FROM OR A PARTICULAR PURPOSE, CONSEQUENTIAL OR INCIDENTAL DAMAGES, OR INFRINGEMENT OF ANY PATENT, COPYRIGHT OR OTHER INTELLECTUAL PROPERTY RIGHTS. MACOM FURTHER DOES NOT WARRANT THE ACCURACY OR COMPLETENESS OF THE INFORMATION, TEXT, GRAPHICS OR OTHER ITEMS CONTAINED WITHIN THIS DOCUMENT. MACOM SHALL NOT BE LIABLE FOR ANY SPECIAL, INDIRECT, INCIDENTAL, OR CONSEQUENTIAL DAMAGES, INCLUDING LOST PROFITS, LOST REVENUES OR LOST BUSINESS, ARISING FROM THE USE OF THIS DOCUMENT OR THE PRODUCTS DESCRIBED HEREIN.

MACOM products are not intended for use in medical, lifesaving or life sustaining applications. MACOM makes no representation or warranty that its products are suitable for such applications. Use in such applications do so at their own risk and agree to indemnify MACOM from such improper use or sale.