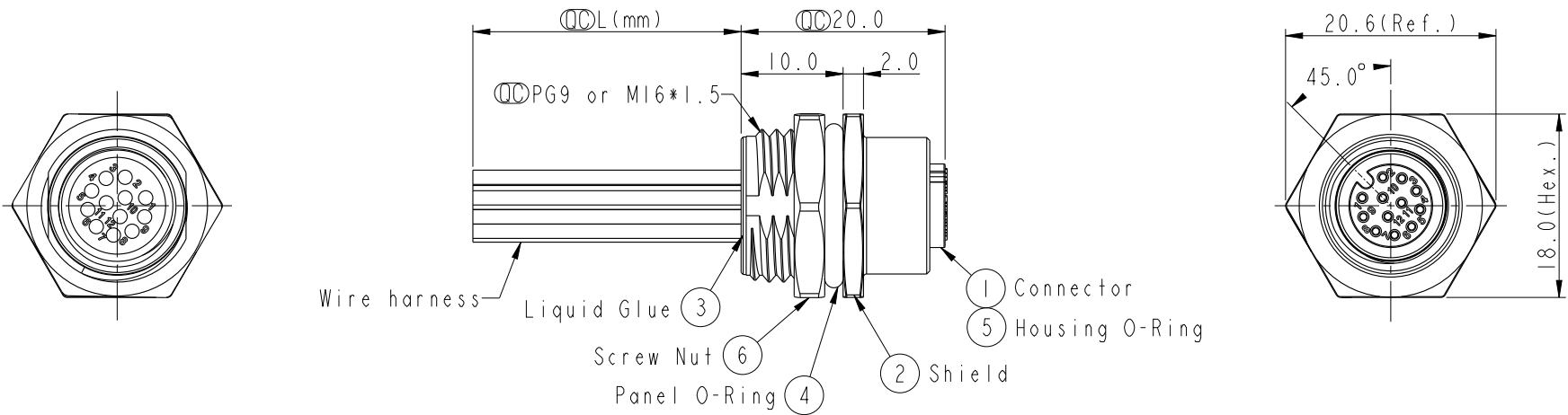
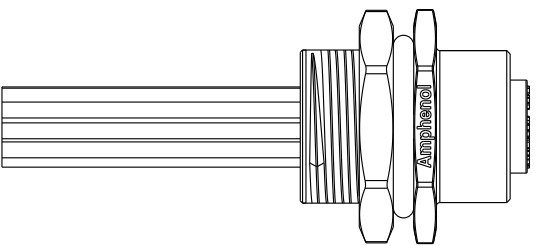
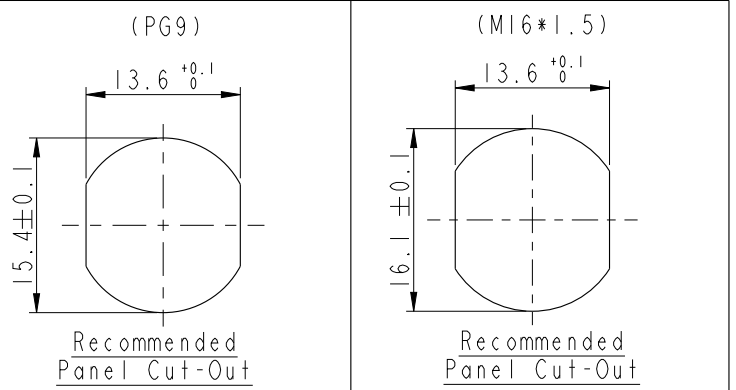


THIS DOCUMENT IS SUBJECT TO CHANGE WITHOUT NOTICE. IT IS CONFIDENTIAL AND A PROPERTY OF Amphenol LTW. DISCLOSURE TO THIRD PARTY HAS TO BE AUTHORIZED BY Amphenol LTW.

REV.	ECN NO.	DATE	SIGN	DESCRIPTION
C	LEN1680557-568	2016/08/08	Yulong_wang	Add 6Pin & IP69K.
D	E191630	2019/09/19	Ruru	Update Wire Tolerance
E	BOMR19100207	2019-10-30	Peng	Add 17Pin



- Notes:
- \*  $\varnothing$  Important Dimension.
  - \* Waterproof Rate: IP68, IP69K.
  - \* Connector: Nylon+GF, Black.
  - \* Female Pin: Copper Alloy, Gold Plated.
  - \* Shield: Zinc Alloy, Nickel Plated.
  - \* Screw Nut: Zinc Alloy, Nickel Plated.
  - \* Panel O-Ring: Viton, Black.
  - \* Housing O-Ring: Viton, Green.
  - \* Wire harness: ULI061
  - \* Rated Voltage: 3 & 4Pin 250V dc. or ac.  
5Pin 60V dc. or ac.  
6~12Pin, 17Pin 30V dc. or ac.
  - \* Rated Current: 3~5Pin 4A  
6~8Pin 2A  
10~12Pin, 17Pin 1.5A
  - \* Operating Temperature: -25~85°C
  - \* For Panel Thickness Max 4.5mm.
  - \* Nut Torque: 4-6 Kgf.cm.
  - \* Wire harness Tolerance: 150~300±15mm  
301~1000±20mm  
Over 1000 ±50/-0mm



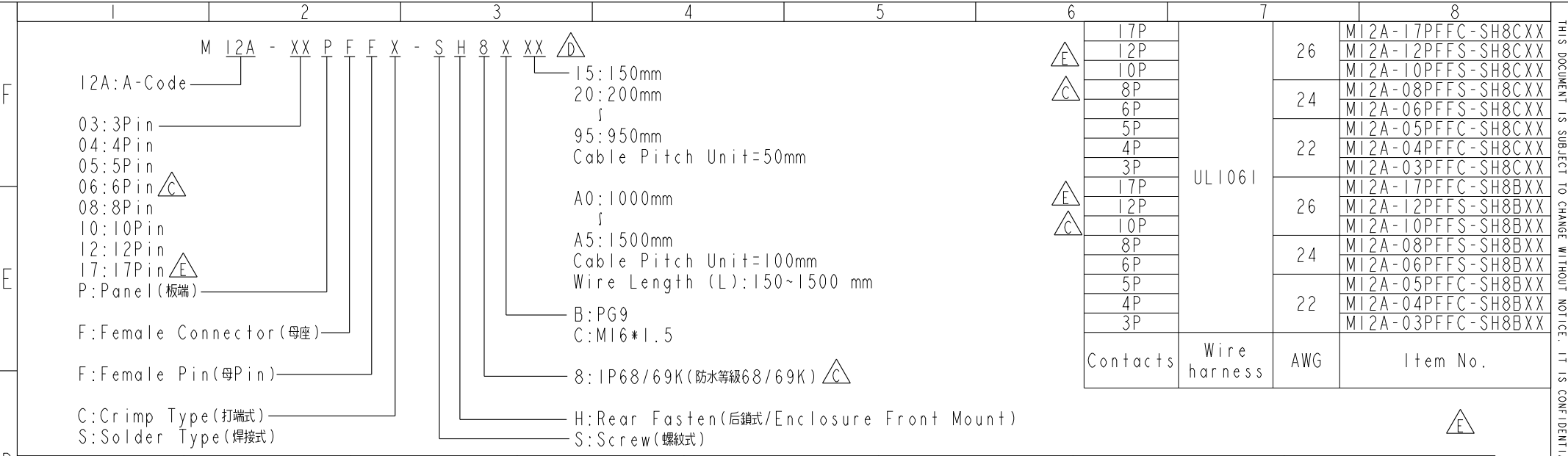
UNIT: mm		
TOLERANCE	.X ±0.25	
.XX ±0.1		
.XXX ±0.05		
ANGLES	±1°	

TITLE M12 A-Code Female Conn. Panel Rear With Wire harness			
SCALE 3:2	SIZE A4	SHEET 1 OF 2	
REV. E	WC-REV. A.3	$\varnothing$ : Inspection item	

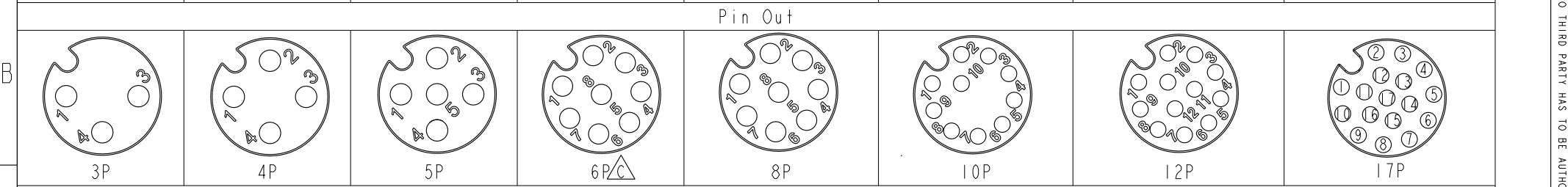
**Amphenol LTW**  
安費諾亮泰企業股份有限公司

ITEM NO.	DRAWN BY Ruru	DATE 2019-09-19
DWG NO. M12A-XXPFFX-SH8XXX	CHECKED BY Rita	DATE 2019-09-19
CUSTOMER ALTW	APPROVED BY Max	DATE 2019-09-19

THIS DOCUMENT IS SUBJECT TO CHANGE WITHOUT NOTICE. IT IS CONFIDENTIAL AND A PROPERTY OF Amphenol LTW. DISCLOSURE TO THIRD PARTY HAS TO BE AUTHORIZED BY Amphenol LTW.



Pin #	Wire	Pin #	Wire	Pin #	Wire	Pin #	Wire	Pin #	Wire	Pin #	Wire	Pin #	Wire	Pin #	Wire	Pin #	Wire
5	--	5	--	5	Gray 灰	5	--	5	Gray 灰	5	Gray 灰	5	Gray 灰	5	Gray 灰	5	Gray 灰
4	Black 黑	4	Black 黑	4	Black 黑	4	Yellow 黃	4	Yellow 黃	4	Yellow 黃	4	Yellow 黃	4	Yellow 黃	4	Yellow 黃
3	Blue 藍	3	Blue 藍	3	Blue 藍	3	Green 綠	3	Green 綠	3	Green 綠	3	Green 綠	3	Green 綠	3	Green 綠
2	--	2	White 白	2	White 白	2	Brown 棕	2	Brown 棕	2	Brown 棕	2	Brown 棕	2	Brown 棕	2	Brown 棕
1	Brown 棕	1	Brown 棕	1	Brown 棕	1	White 白	1	White 白	1	White 白	1	White 白	1	White 白	1	White 白



Pin Assignments Front View

UNIT: mm		TITLE M12 A-Code Female Conn. Panel Rear With Wire harness	<b>Amphenol LTW</b> 安費諾亮泰企業股份有限公司		ITEM NO	DRAWN BY Ruru	DATE 2019-09-19
TOLERANCE .X ±0.25 .XX ±0.1 .XXX ±0.05 ANGLES ±1°		SCALE 3:2			SIZE A4	SHEET 2 OF 2	DWG NO M12A-XXPFFX-SH8XXX
REV. E	WC-REV. A.3	☉: Inspection item		CUSTOMER ALTW	APPROVED BY Max	DATE 2019-09-19	