

M.990 | Guard safety handles

Technopolymer



- 1
- 2
- 3
- 4
- 5
- 6
- 7
- 8
- 9
- 10
- 11
- 12
- 13
- 14
- 15
- 16
- 17
- 18

MATERIAL

Polyamide based (PA) technopolymer, black colour, matte finish.

COVER

Technopolymer in Ergostyle colours, matte finish; snap-in assembly, removable by a screwdriver.

STANDARD EXECUTION

Pass-through holes for cylindrical-head screws with hexagon socket, hexagonal-head screws or standard lock nuts.

FEATURES AND APPLICATIONS

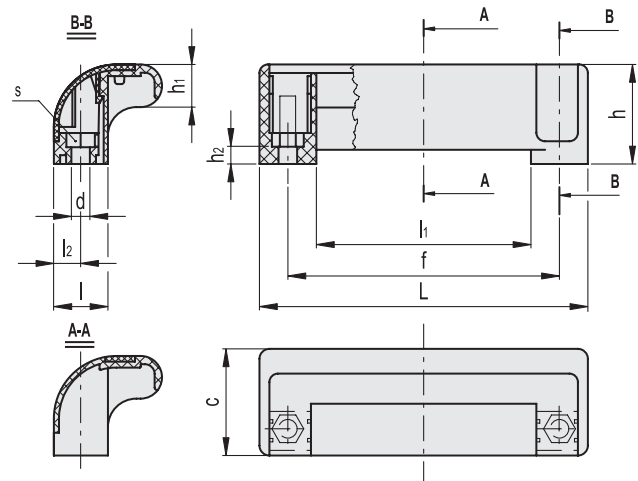
M.990 handles have been especially designed to fit machine guards or automation systems with double-leaf door. The special closed design of the handle represents a safety element for the operator's fingers. Moreover, the coloured cover improves the visibility of the handle and offers the possibility of product customisation.

TECHNICAL DATA

Tensile stress: F1 value reported in the table is the result of breaking tests carried out with an appropriate dynamometric equipment under the test conditions shown in the figure with ambient temperature. Maximum tightening torque for screw assembly 3 Nm.



FMA design



Conversion Table 1 mm = 0.039 inch					
L		d		s	
mm	inch	mm	inch	mm	inch
115	4.53	6.5	0.26	10	0.39



C9 RAL9005

C2 RAL2004

C3 RAL7035

C4 RAL1021

C5 RAL5024

C6 RAL3000

C17 RAL6017

METRIC

Code	Description	L	f±0.5	d	s	h	h1	h2	c	l	l1	l2	F1 [N]	⚖️
138511	M.990/115 EH-6-C9	115	95.5	6.5	10	35	15	6	37.5	19	75.5	9.5	900	33
138512	M.990/115 EH-6-C2	115	95.5	6.5	10	35	15	6	37.5	19	75.5	9.5	900	33
138513	M.990/115 EH-6-C3	115	95.5	6.5	10	35	15	6	37.5	19	75.5	9.5	900	33
138514	M.990/115 EH-6-C4	115	95.5	6.5	10	35	15	6	37.5	19	75.5	9.5	900	33
138515	M.990/115 EH-6-C5	115	95.5	6.5	10	35	15	6	37.5	19	75.5	9.5	900	33
138516	M.990/115 EH-6-C6	115	95.5	6.5	10	35	15	6	37.5	19	75.5	9.5	900	33

Lift & Pull handles

508

