

M-FLEX REMOTE CAN I/O CONTROLLER

The 8-in / 8-out M-Flex Remote CAN I/O Controller is designed for severe duty, outdoor mobile applications and built to withstand the harsh temperatures, shock and vibration, moisture and electrical transients that are common to these environments.



M-Flex Controllers are typically used for construction, agriculture and turf care equipment, utility and power sports vehicles, marine, military, outdoor power equipment and similar harsh environment applications.



FEATURES

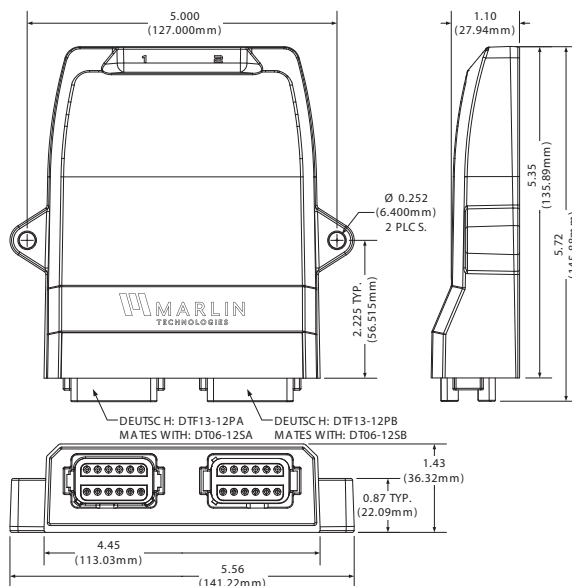
- Designed for severe duty, outdoor mobile applications.
- Designed for 12V and 24V applications.
- Low power sleep mode – for applications requiring direct-to-battery connection. Wake on digital input, CAN message or cycling power.
- Configurable inputs and outputs for customizing controller to each application.
- Outputs have closed-loop current sensing for accurate control of proportional valves.
- 250/500 Kbps auto baud detect.
- 5V, 500mA output for powering sensors.
- Slim, stylish case (custom OEM label option).
- Fully encapsulated electronics for complete environmental protection.
- Deutsch DT style connectors.
- Bi-color status indicators.
- IP67 and IP69K rated (with appropriate connector boots).
- RoHS and CE compliant.
- Multiple programming options:
 - Standard controller programmed as remote I/O module for control by Master Control Unit (MCU) via CAN.
 - Custom application programming provided by Marlin.
 - Customer programmable via C language.

SPECIFICATIONS

Specifications subject to change without notice. \ Revised 11.19

Supply Voltage	8 - 36VDC operating range, reverse polarity protected.
Max Current Sourcing	24A total across 8 outputs.
Max Current Sinking	12A total across 4 outputs.
CAN Protocol	SAE J1939 CAN 2.0A and CAN 2.0B compliant, CAN Open, NMEA 2000
Baud Rate	Auto detection for 250/500 Kbps.
Inputs	(8) inputs that can be configured as analog, digital, frequency, PWM, or a quadrature encoder.
Outputs	(4) half-bridge PWM outputs rated at 3A. These 4 outputs have high-side current sensing for accurate closed-loop proportional control of solenoid valves. (4) digital current-sourcing outputs rated 3A configurable as on/off or open loop PWM.
Sensor Supply	5 VDC, 500 mA max.
LED Indicators	(2) red/green bi-color for power and CAN communication status.
Connector	Deutsch DTF13-12PA and DTF13-12PB equivalent.
Mounting	(2) M6 or 1/4" screws.
Ingress Protection	IP67, IP69K (with appropriate connector boots).
Operating Temperature	-40° to 85°C (-40° to 185°F).
Storage Temperature	-40° to 85°C (-40° to 185°F).
Weight	0.45 kg (1.00 lbs).
Packaging	Electronics encapsulated in nylon enclosure.

DIMENSIONS



For a detailed specification visit
marlintech.com/m-flex

Marlin Technologies, Inc.
 101 Industrial Drive \ P.O. Box 123
 Horicon, WI 53032-1803
 920.485.4463 \ P
 920.485.2899 \ F

MARLINTECH.COM
 PROUDLY MADE IN THE USA