

SST-10-IRD-940nm

Dual Junction Surface Mount Series

Low Thermal Resistance Infrared LED

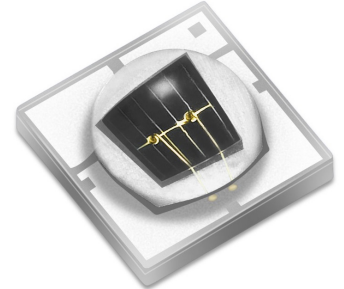


Table of Contents

Technology Overview	2
Product Binning	3
Ordering Information	3
Optical and Electrical Characteristics	4
Mechanical Dimensions	8
Tape and Reel	11
Reel Information	13
Shipping information	14
Soldering	15
Precautions	16
Revision History	17

Features

- High Power Infrared LED with typical 940nm centroid wavelength
- High thermal conductivity substrate
- 50, 90 and 130-degree viewing angle
- Operation at up to 1.5A CW and 5A pulse
- Corrosion Robustness Class: 3B
- Built-in ESD protection
- Low Thermal Resistance
- Suitable for all SMT Assembly Methods
- RoHS and REACH compliant

Applications

- Surveillance Systems / CCTV
- Iris and Face Recognition
- License Plate Scanning
- Automotive Sensing
- Machine Vision
- Night Vision

Technology Overview

Luminus SST-10-IRD-940nm LEDs benefit from innovations in device technology, chip packaging and thermal management. This suite of technologies give engineers and system designers the freedom to develop solutions both high in power and efficiency.

Reliability

Luminus SST-10-IRD-940nm LEDs have passed a rigorous suite of environmental and mechanical stress tests, including HTOL, temperature cycling, humidity and corrosion resistance. They are fully qualified for use in a wide range of high performance and high efficacy applications.

REACH & RoHS Compliance

The Luminus SST-10-IRD-940nm LED is compliant to the Restriction of Hazardous Substances Directive or RoHS. The restricted materials including lead, mercury cadmium hexavalent chromium, polybrominated biphenyls (PBB) and polybrominated diphenyl ether (PBDE) are not used.

Understanding Luminus SST-10-IRD-940nm LED Test Specifications

Every Luminus LED is fully tested to ensure it meets the high quality standards customers have come to expect from Luminus products.

Testing Temperature

Luminus SST-10-IRD-940nm LEDs are tested and binned at 25°C junction temperature. Temperature curves are provided to allow users to scale the data for actual operating temperature conditions.

Product Ordering and Shipping Part Number Nomenclature

All SST-10-IRD-940nm products are packaged and labeled with part numbers as outlined in below. When shipped, each reel will contain only a single flux wavelength and V_f bin. The part number designation is as follows:

SST — 10 — IRD — B### — F###-V#

Product Family	Chip Area	Color	Package Configuration	Bin Kit ^{1,2}
SST - Ceramic Surface Mount package w/ encapsulation	10: 1.0 mm ²	IRD : Dual Junction Infrared	B50H : 50 deg Beam Angle B90H : 90 deg Beam Angle B130H : 130 deg Beam Angle High Performance Ceramic 3.45mm x 3.45mm See Pages 8-10 for Detailed Drawings	See below for flux, wavelength and forward voltage binning information

Peak Wavelength	Minimum Flux Bin (mW)	Lens Angle	Ordering Part Number
940	475	50	<i>SST-10-IRD-B50H-S940</i>
	475	90	<i>SST-10-IRD-B90H-S940</i>
	475	130	<i>SST-10-IRD-B130H-S940</i>

Flux Bins¹

Bin Code	Radiometric Power at 350mA, $t_p=20ms$	
	Minimum Flux (mW)	Maximum Flux (mW)
S	475	505
T	505	535
U	535	565
V	565	595
W	595	625
X	625	655

Wavelength Bins¹

Bin Code	Minimum Peak Wavelength (nm)	Maximum Peak Wavelength (nm)
940	930	970

Forward Voltage Bins¹

Bin Code	Minimum Forward Voltage (V)	Maximum Forward Voltage (V)
V8	2.6	2.8
V9	2.8	3.0
Va	3.0	3.2

Optical and Electrical Characteristics

Optical and Electrical Characteristics¹

Parameter	Symbol	Package Type			Unit
		B50H	B90H	B130H	
Forward Current	I_f	350			mA
Output Power Typical	PO	535			mW
Output Power at 1.0A, $t_r=20ms$ (typ.)	$PO_{1.0A}$	1,470			mW
Radiant Intensity at 1.0A, $t_r=20ms$ (typ.)	ϕ_e	1270	770	410	mW/sr
Minimum Forward Voltage ¹	V_{fmin}	2.6			V
Forward Voltage Typical	V_f	2.8			V
Maximum Forward Voltage ¹	V_{fmax}	3.2			V
Viewing Angle	$2\theta_{1/2}$	50	90	130	deg
Peak Wavelength Typical	λ_p	950			nm
Centroid Wavelength Typical	λ_c	940			nm
FWHM Typical	$\Delta\lambda_{1/2}$	30			nm
Temperature Coefficient of Forward Voltage	TC_{V_f}	-3.0			mV/°C
Temperature Coefficient of Radiometric Power	TC_{PO}	-0.2			%/°C
Temperature Coefficient of Wavelength	TC_{λ}	0.3			nm/°C
Thermal Resistance (Electrical)	R_{th}	2.4			°C/W

Note 1: Binning based on operation at a current of 350mA, 20ms single pulse and a constant junction temperature of $T_j = 25^\circ\text{C}$. Parts are binned and shipped in 0.2V_f increments.

Optical and Electrical Characteristics

Absolute Maximum Ratings²

Parameter	Symbol	Rating	Unit
Forward Current ^{3,4}	I	1.5 (CW) / 5 (Pulse)	A
Power Dissipation	P _D	6	W
Reverse Voltage	V _R	5	V
Storage Temperature	T _{STG}	-40 to 100	°C
Junction Temperature ^{3,4}	T _J	115°C	°C
ESD Sensitivity (HBM) - JEDEC JS-001-2014 Class 3B	V _{HBM}	≥8000	V
ESD Sensitivity (CDM) - JEDEC JS-002-2018 Class C3	V _{CDM}	≥1000	V

Note 2: To prevent damage refer to operating conditions and derating curves for appropriate maximum operating conditions

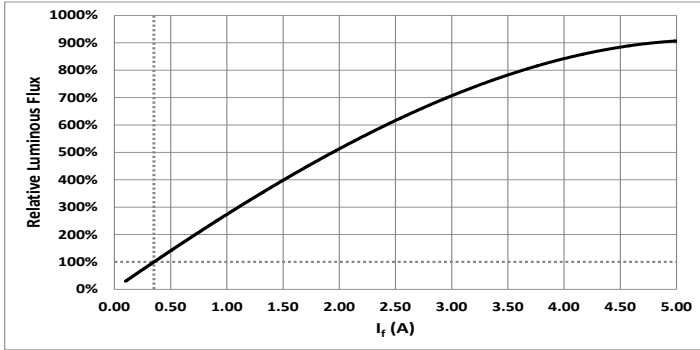
Note 3: Luminus SST-10-IRD-940nm LEDs are designed for operation up to an absolute maximum forward drive current as specified above. Product lifetime data is specified at typical forward drive currents. Sustained operation at absolute maximum currents will result in a reduction of device lifetime compared to typical forward drive currents. Actual device lifetimes will also depend on junction temperature.

Note 4: Maximum operating case temperature combined with maximum drive current defines the total maximum operating condition for the device. To prevent damage, please operate devices within specified conditions.

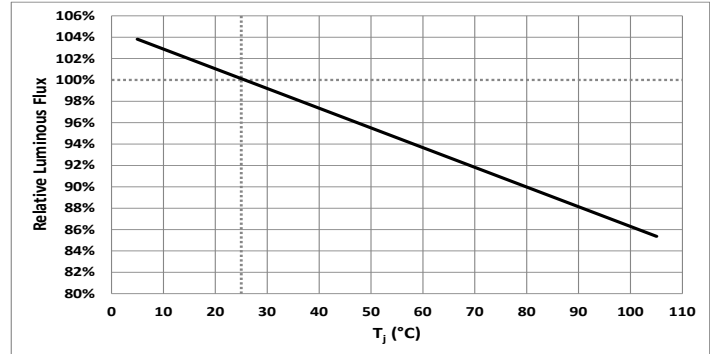
Note 5: Caution must be taken not to stare at the light emitted from these LEDs. Under special circumstances, the high intensity could damage the eye.

Optical and Electrical Characteristics

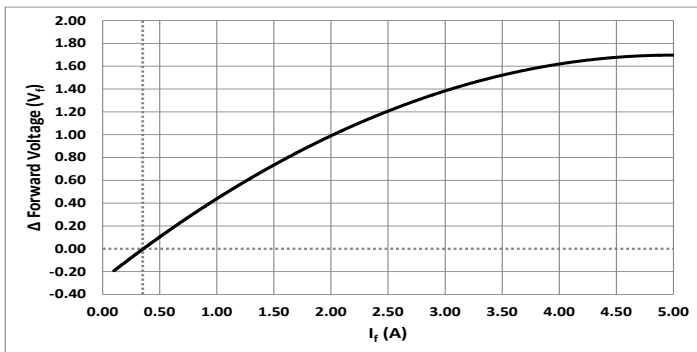
Relative Output Flux vs. Forward Current



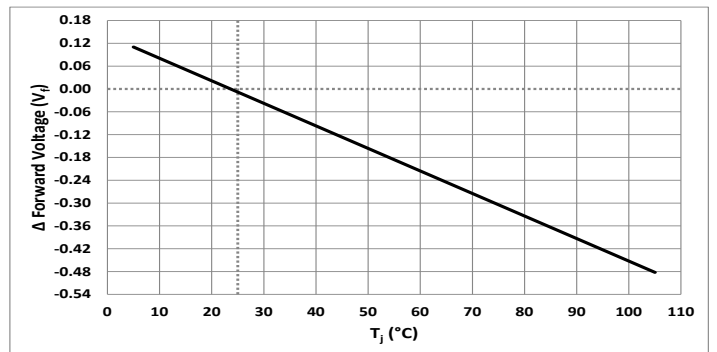
Relative Output Flux vs. Temperature



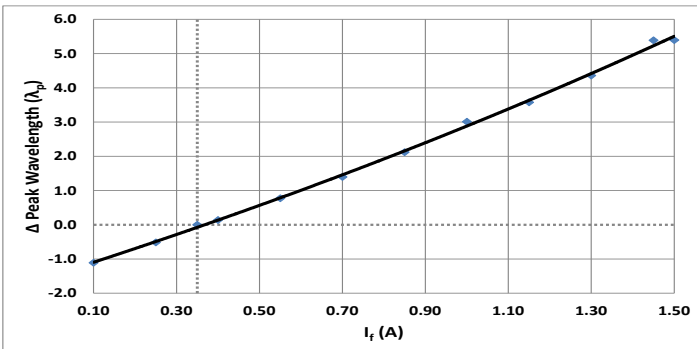
Relative Forward Voltage vs. Forward Current



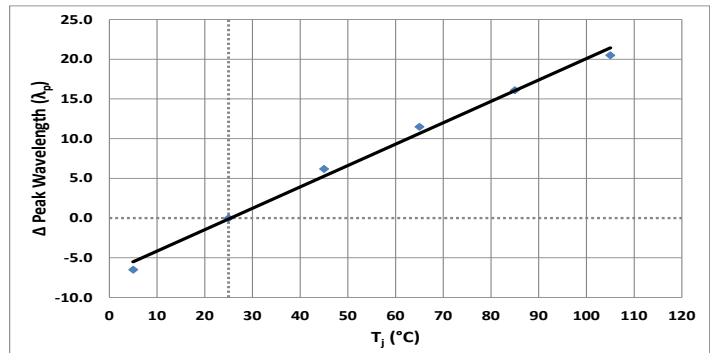
Relative Forward Voltage vs. Temperature



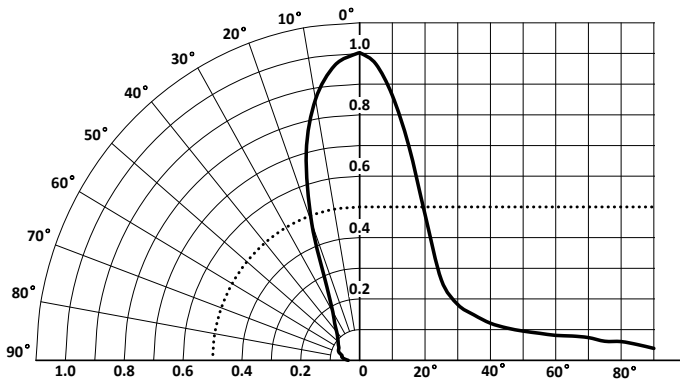
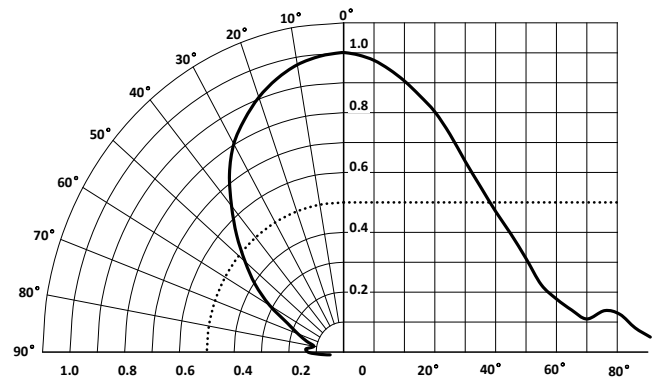
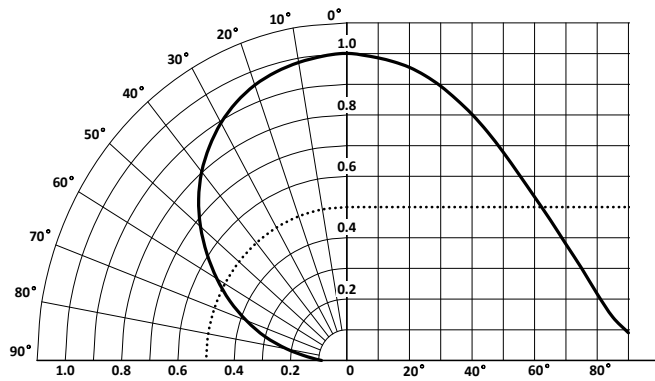
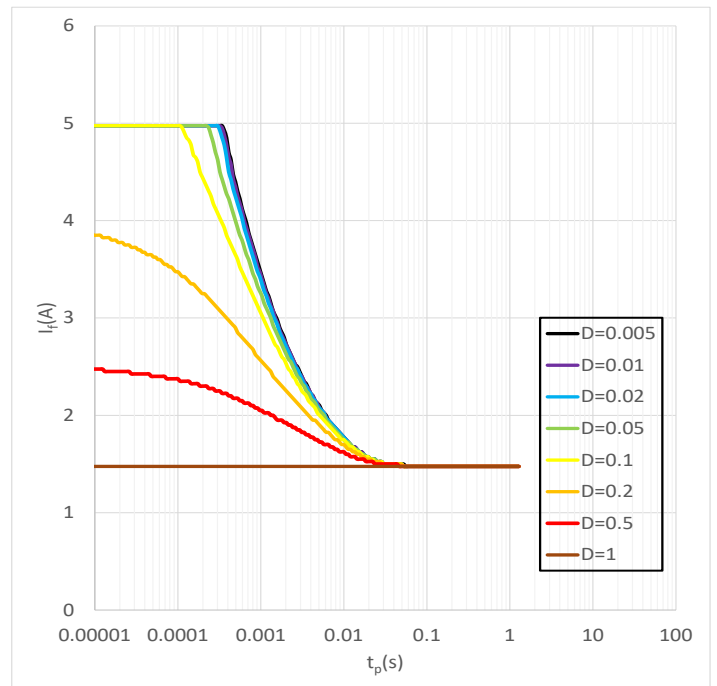
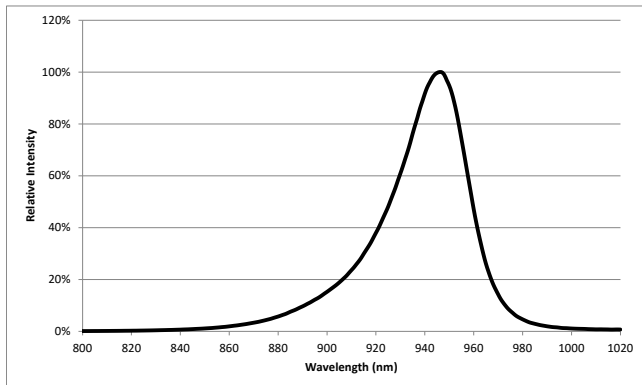
Relative Peak Wavelength vs. Forward Current



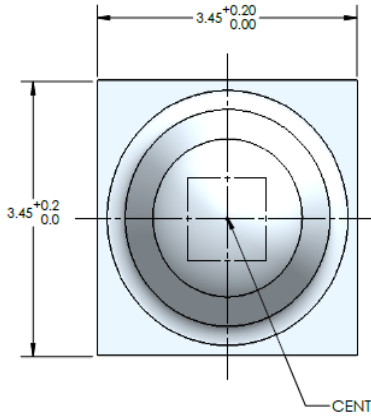
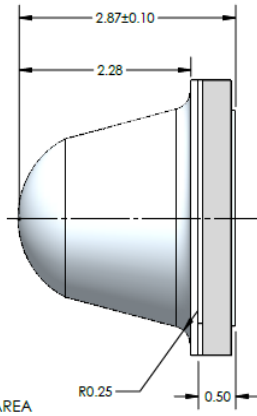
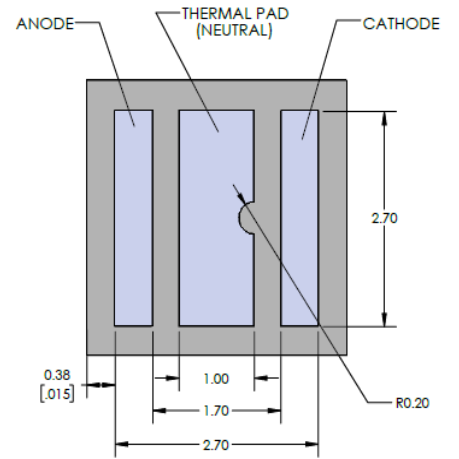
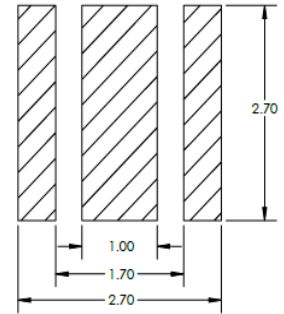
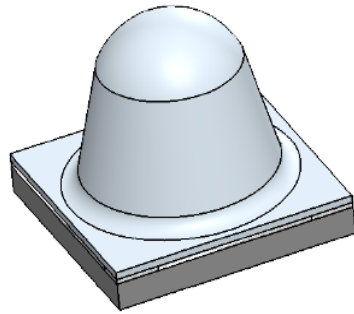
Relative Peak Wavelength vs. Temperature



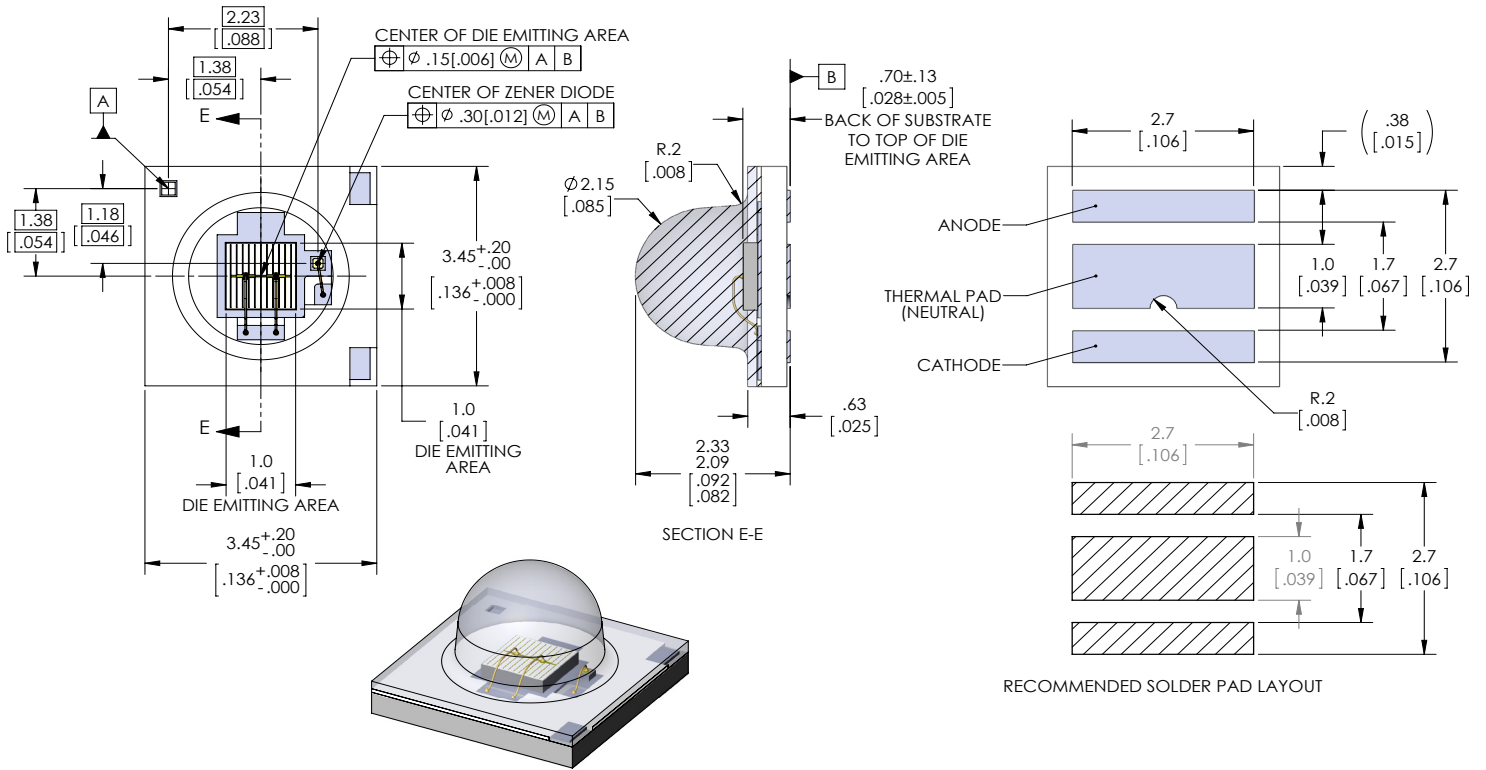
Optical and Electrical Characteristics

Typical Polar Radiation Plot - B50H

Typical Polar Radiation Plot - B90H

Typical Polar Radiation Plot - B130H

Permissible Pulse Handling Capability

Typical Spectrum


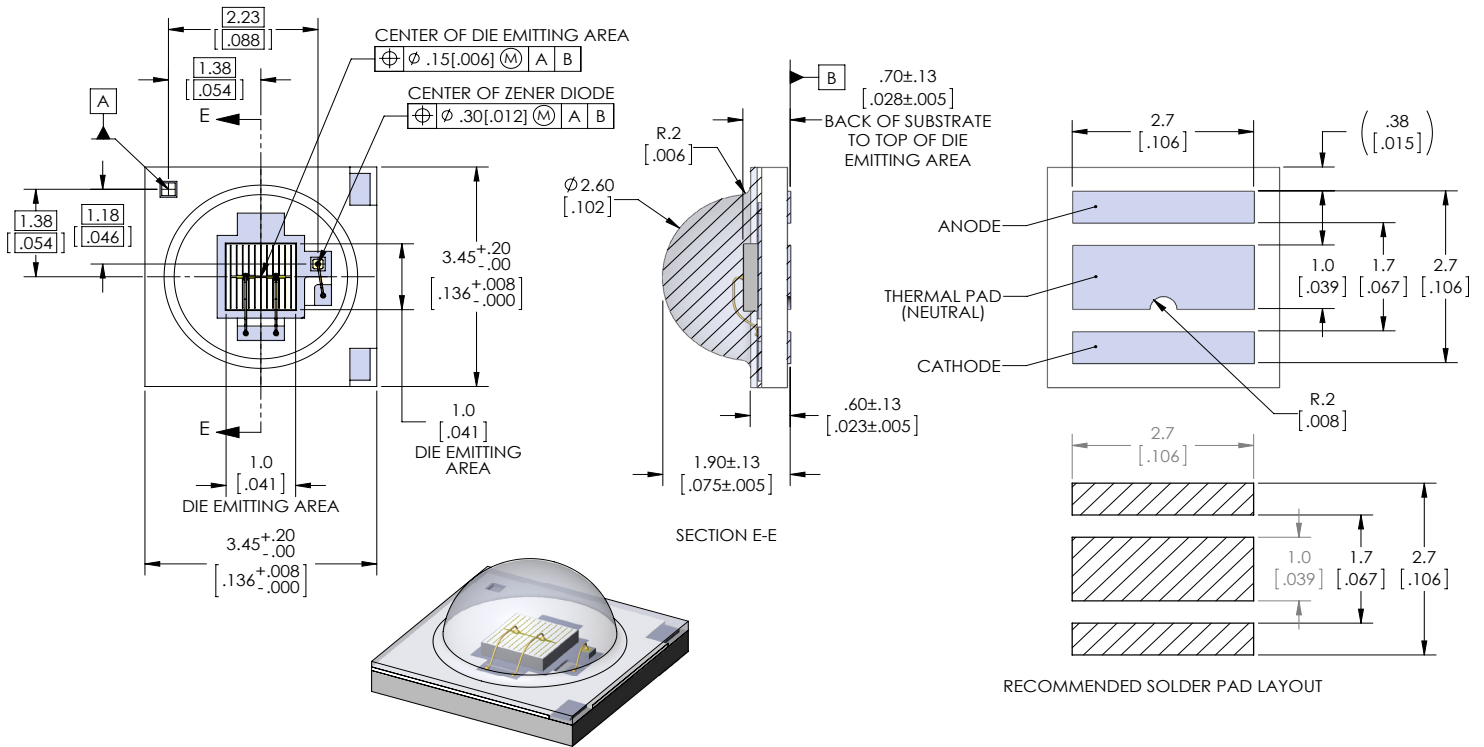
Mechanical Dimensions - B50H Package

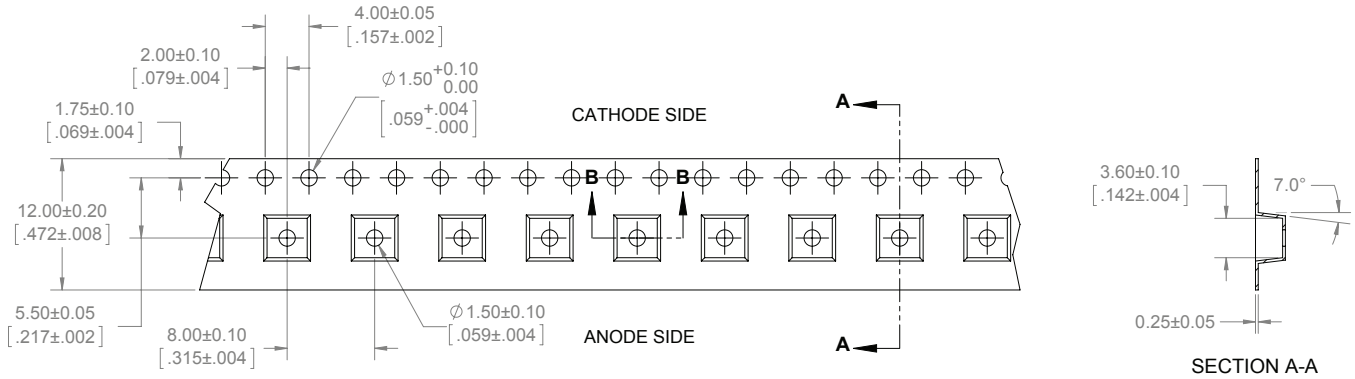

FRONT VIEW

SIDE VIEW

BACK VIEW

Recommended PCB Solder Pad

Mechanical Dimensions - B90H Package

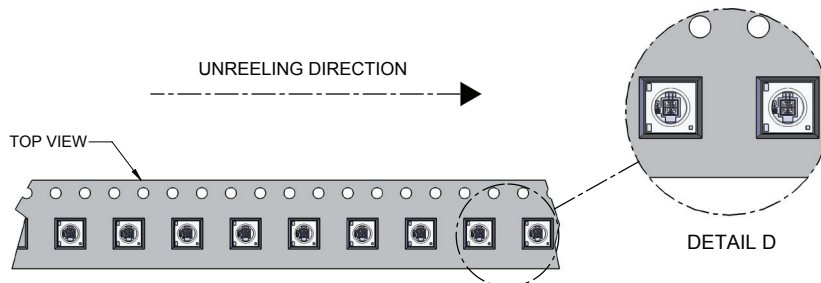
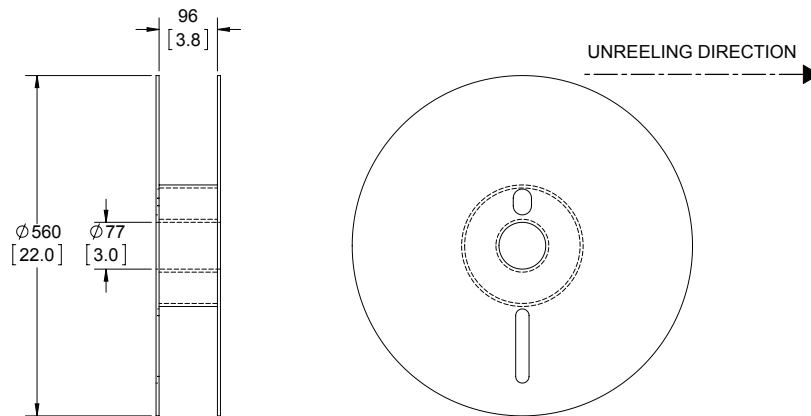


Mechanical Dimensions - B130H Package

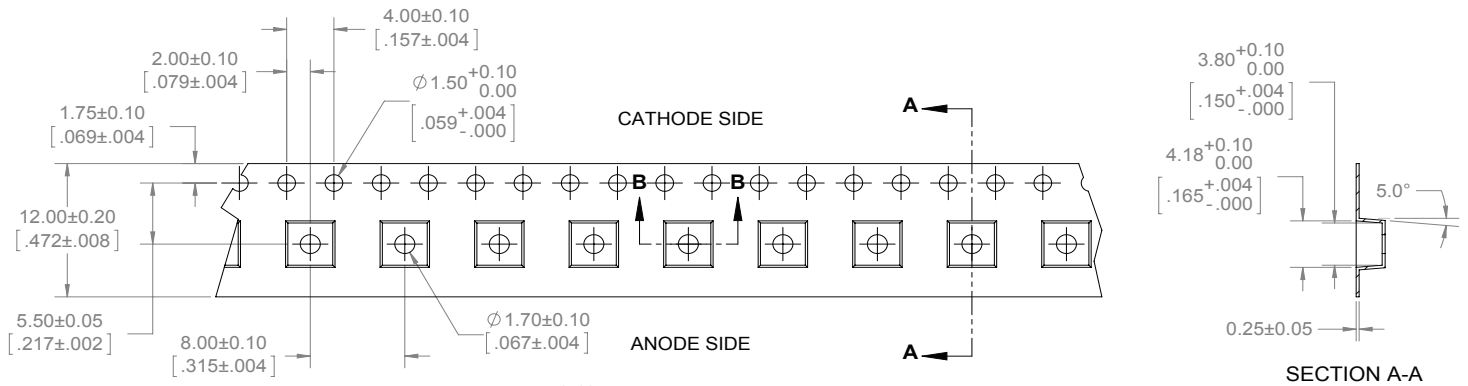


Tape and Reel - B50H and B90H Packages

NOTES:

1. FINAL TAPE AND REEL PACKAGING MUST MEET THE REQUIREMENTS OF JEDEC-STD-033, LEVEL 2A.
2. LEAVE 304.8mm [12.00 in] OF TAPE EMPTY FOR LEAD IN (38 EMPTY POCKETS).
3. LEAVE 457.2mm [18.00 in] OF TAPE EMPTY FOR TRAILER (57 EMPTY POCKETS).
4. MUST COMPLY TO EIA-481-C-2003

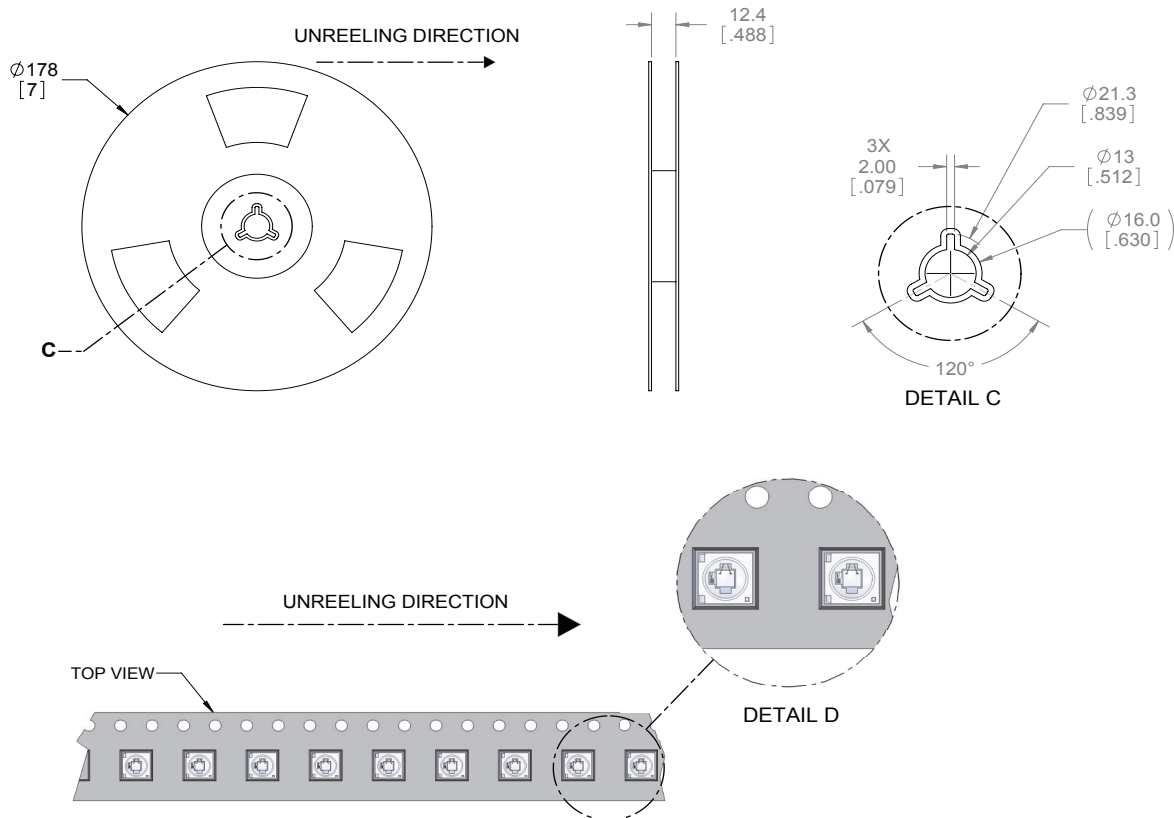


Tape and Reel - B130H Package



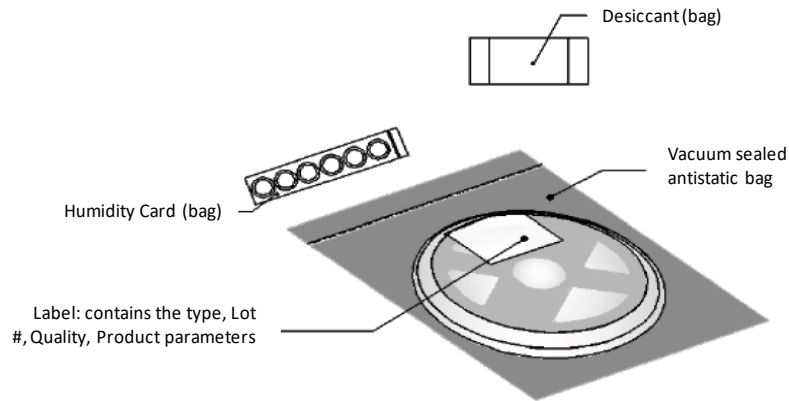
NOTES:

1. FINAL TAPE AND REEL PACKAGING MUST MEET THE REQUIREMENTS OF JEDEC-STD-033, LEVEL 2A.
2. LEAVE 304.8mm [12.00 in] OF TAPE EMPTY FOR LEAD IN (38 EMPTY POCKETS).
3. LEAVE 457.2mm [18.00 in] OF TAPE EMPTY FOR TRAILER (57 EMPTY POCKETS).
4. MUST COMPLY TO EIA-481-C-2003

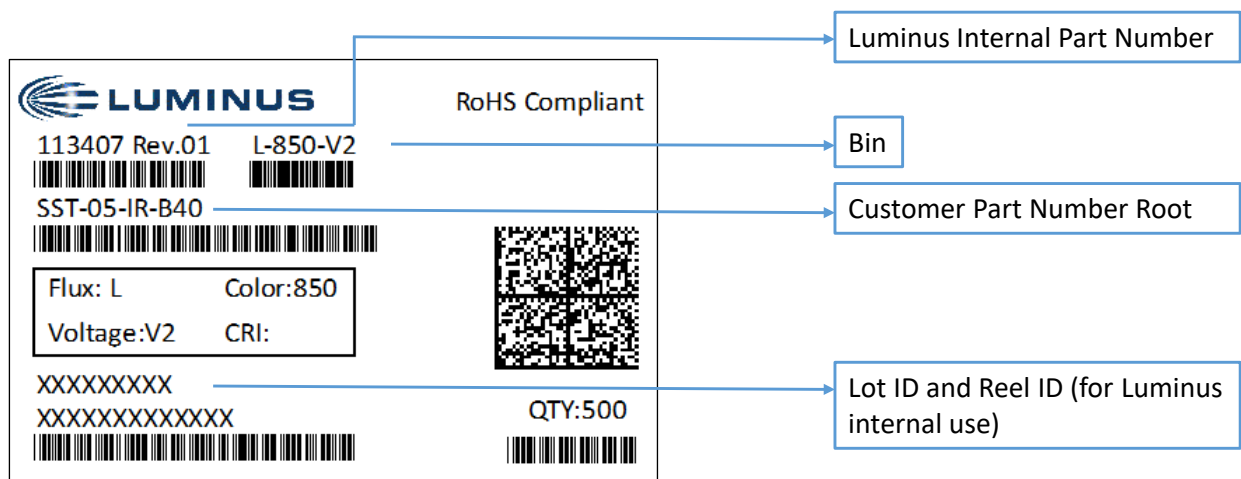


Reel Packaging

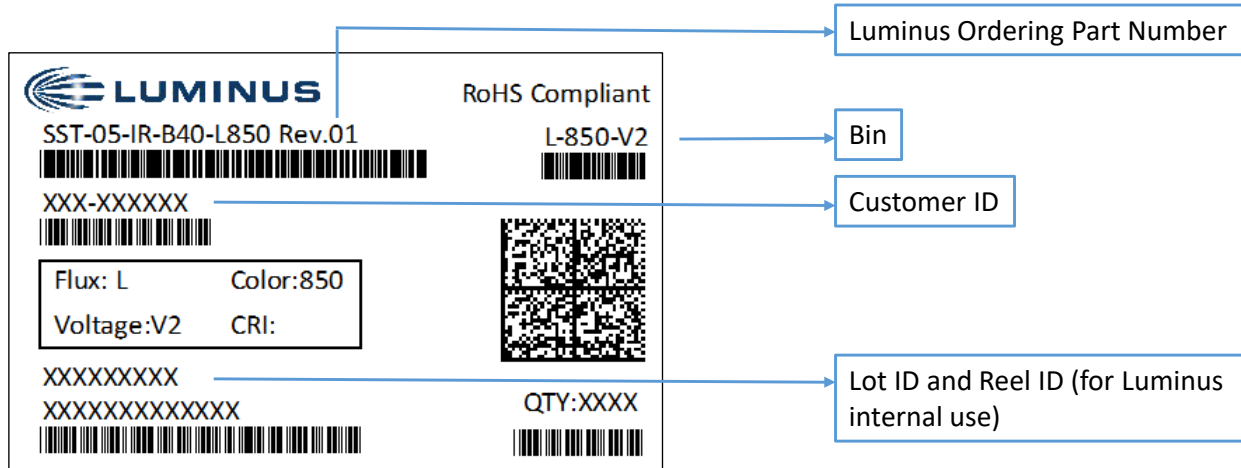
500 parts per reel for B50H/B90H Packages - 1,000 parts per reel for B130H Package



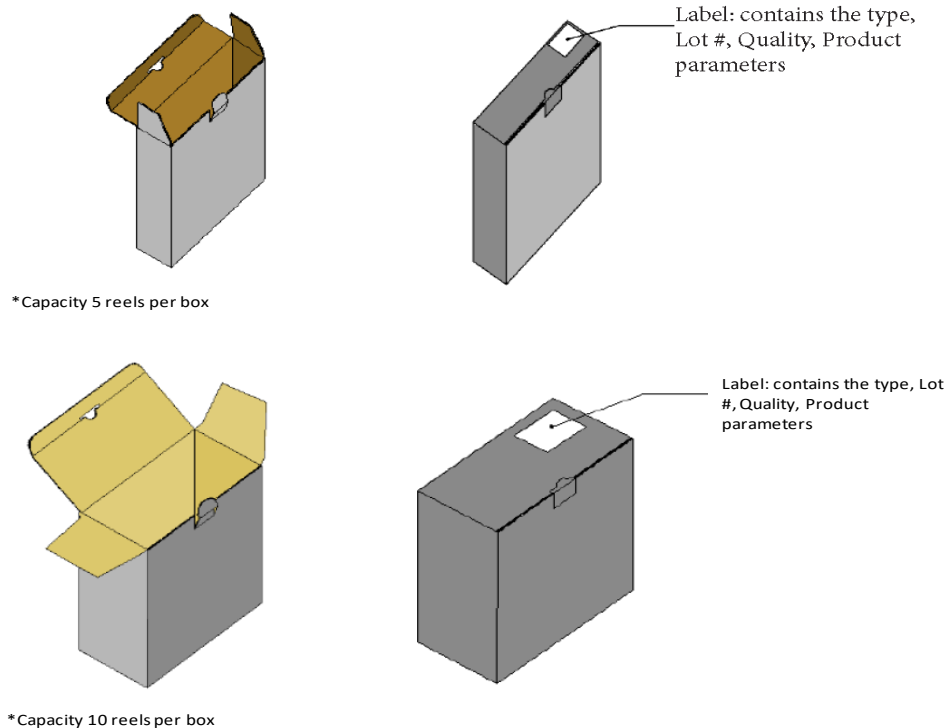
Reel Label



Shipping Label



Box Packaging Information

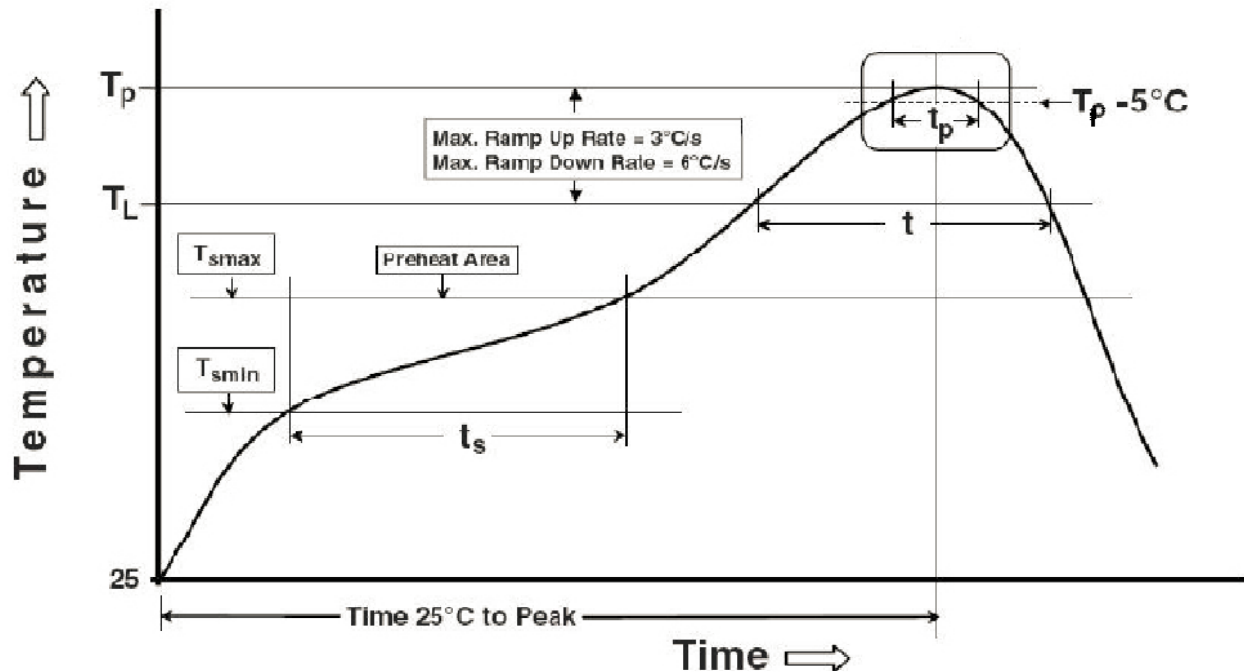


Soldering Profile

Profile Feature	Sn-Pb Eutectic Assembly	Pb-Free Assembly
Preheat & Soak		
Temperature min (T_{smin})	100°C	150°C
Temperature max (T_{smax})	150°C	200°C
Time (T_{smin} to T_{smax}) (t_s)	60-120 seconds	60-120 seconds
Average ramp-up rate (T_{smax} to T_p)	3°C/second max	3°C/second max
Liquidus temperature (T_L)	183°C	217°C
Time at liquidus (t_l)	60-150 seconds	60-150 seconds
Peak temperature (T_p)	235°C	260°C
Time (t_p) within 5°C of the peak temperature (T_p)	20 seconds	30 seconds
Average ramp-down rate (T_p to T_{smax})	6°C/second max	6°C/second max
Time 25°C to peak temperature	6 minutes max	8 minutes max

Note: These are general guidelines. Consult the solder paste manufacturer's datasheet for guidelines specific to the alloy and flux combination used in your application.

Product complies to MSL Level 1 according to JEDEC J-STD-020E



Precautions for Use

Storage:

1. Before opening the package

Unopened LEDs bags should be kept at a temperature between 15°C & 40°C and should be used within a year.

2. After opening the package

Opened LED moisture proof packages should be stored between 30 and 60% RH. The LEDs should be soldered within 168 hours (7days) after opening the package.

If unused LEDs remain on a reel, they should be stored in resealable moisture proof packages with new absorbent material (silica gel) and new moisture indicator cards, or better, in a dry box. If the moisture card indicates, or the first article run of the LEDs popcorns, an oven baking treatment should be performed using the following conditions: 60°C for 20 hours.

The LED electrodes and lead frames may incorporate a silver-plated copper alloy. These can be identified by a silver appearance (compared to a gold appearance). This silver surface may be affected by environmental contaminants, particularly sulfur containing compounds, during storage, and at the point of use. Please avoid conditions which may cause the LEDs to become corroded or discolored. Corrosion or discoloration can reduce solderability and/or affect optical characteristics.

Avoid rapid temperature transitions, especially in high humidity environments where condensation can occur.

Static Electricity:

These products are sensitive to static electricity, and care should be taken when handling them. Static electricity or surge voltage will damage the LEDs. It is recommended to wear an anti-electrostatic wristband or anti-electrostatic gloves when handling the LEDs. All devices, equipment and machinery must be properly grounded. It is recommended that measures be taken to isolate LED processing equipment from potential sources of voltage surges.

Reference: APN-002815 Electrical Stress Damage to LEDs and How to Prevent It

Corrosion Resistance:

Corrosion Test: Class 3B - Test condition: 40°C / 90% RH / 15ppm H₂S / 14 days (stricter than IEC60068 2-43)

History of Changes

Rev	Date	Description of Change
01	05/19/2021	Initial Release
02	12/10/2021	Update flux bin

The products, their specifications and other information appearing in this document are subject to change by Luminus Devices without notice. Luminus Devices assumes no liability for errors that may appear in this document, and no liability otherwise arising from the application or use of the product or information contained herein. None of the information provided herein should be considered to be a representation of the fitness or suitability of the product for any particular application or as any other form of warranty. Luminus Devices' product warranties are limited to only such warranties as accompany a purchase contract or purchase order for such products. Nothing herein is to be construed as constituting an additional warranty. No information contained in this publication may be considered as a waiver by Luminus Devices of any intellectual property rights that Luminus Devices may have in such information. Big Chip LEDs™ is a registered trademark of Luminus Devices, Inc., all rights reserved.

This product is protected by U.S. Patents 6,831,302; 7,074,631; 7,083,993; 7,084,434; 7,098,589; 7,105,861; 7,138,666; 7,166,870; 7,166,871; 7,170,100; 7,196,354; 7,211,831; 7,262,550; 7,274,043; 7,301,271; 7,341,880; 7,344,903; 7,345,416; 7,348,603; 7,388,233; 7,391,059 Patents Pending in the U.S. and other countries.