

“Stay Connected” with



Strain Relief Bushings

a PennEngineering® Company



## Heyco® Liquid Tight Strain Relief Bushings

*The Ultimate in Snap-In Strain Relief Protection*

Snap-in, Low Profile Design allows for Pre-assembled Cables



CABLE DIAMETER RANGE				PANEL DIMENSIONS ↕				PART NO.			DESCRIPTION	PART DIMENSIONS				CAST PLIER PART NO.	NYLON PLIER ADAPTOR (Included) PART NO.		
Minimum		Maximum		A Mounting Hole Dia.	Min. Panel Thickness	Max. Panel Thickness	Black*	White*	Gray*	C Head Diameter		D Overall Height							
in.	mm.	in.	mm.							in.	mm.	in.	mm.	in.	mm.	in.	mm.	in.	mm.
<b>For .875 (22,2 mm) Mounting Hole</b>																			
.280	7,1	.330	8,4	.875	22,2	.032	0,8	.094	2,4	<b>1063</b>	<b>1067</b>	<b>1071</b>	LTBSR 875-094-330	1.29	32,8	.99	25,1	<b>0029</b>	<b>0029A**</b>
						.125	3,2	.188	4,8	<b>1064</b>	<b>1068</b>	<b>1072</b>	LTBSR 875-188-330						
.330	8,4	.440	11,2	.032	0,8	.094	2,4	<b>1065</b>	<b>1069</b>	<b>1073</b>	LTBSR 875-094-440								
				.125	3,2	.188	4,8	<b>1066</b>	<b>1070</b>	<b>1076</b>	LTBSR 875-188-440								

\* Color refers to the rubber membrane. Nylon 6/6 will remain black

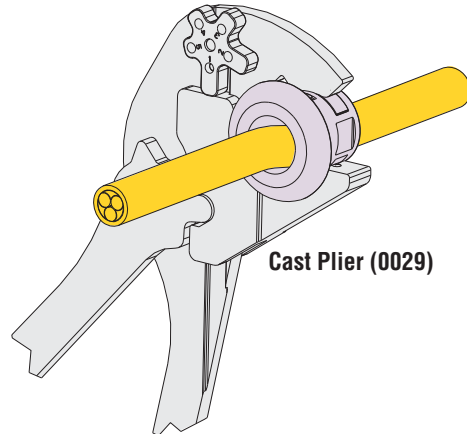
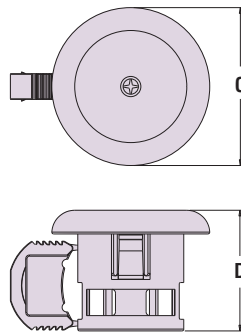
\*\* Nylon Adaptor (0029A) included for Alternate Plier Crimping Method, but not required for Cast Plier Method

Nylon Adaptor (0029A) compatible with 10" pliers, either Workpro item #W031138 or Kobalt item #64426 (available commercially).

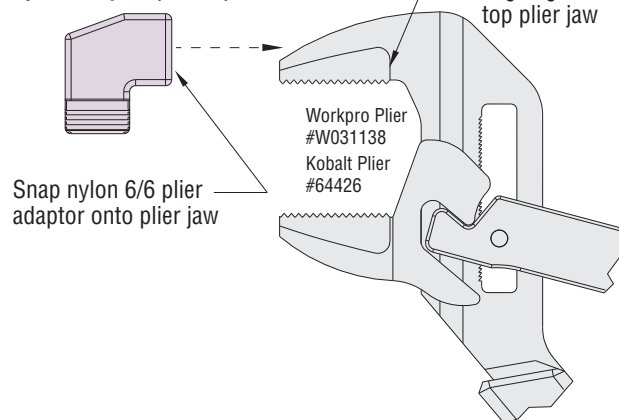
\*\*\* Light gray/RAL 7035

↕ Each panel thickness has ± .015" (0,4 mm)

- These low profile co-molded nylon and elastomer parts function as a Liquid Tight Strain Relief with a cable.
- cULus approved under UL 514B.
- Low profile design: height above panel is less than .188" (4,8mm).
- Can be pre-assembled to the cable prior to installation.
- Assembles to cables with a simple hand plier for easy installation.
- Smooth, rounded interior edges for ease of installation.
- **Fast and easy installation.**
- Available in multiple sizes for cable diameters ranging from .280" (7,1 mm) to .440" (11,2 mm).
- We recommend using the fitting with the smallest maximum diameter that will fit your application.
- Meet UL strain relief requirements without bending or kinking the cable.
- Special colors available—consult Heyco.
- **Patent #10573436**



Nylon Adaptor (0029A)



Quick Specs

Material	Nylon 6/6 w/TPE Top
Certifications	cULus Listed under Underwriters' Laboratories File E51579
Flammability Rating	94V-0
Temperature Range	-4°F (-20°C) to 212°F (100°C)
IP Rating	IP 65, 66, 67 and 68 (IP 68 is 25psi for 24hrs)