

“Stay Connected” with



Liquid Tight Cordgrips

a PennEngineering® Company

Heyco®-Tite Nylon Liquid Tight Romex® and Other Oval Hole Connectors

Straight-Thru, NPT Hubs with Integral Sealing Ring

For Romex® NM-B and UF-B Cables. For use in clearance or threaded holes, electrical conduit couplings and adapters.

The Ultimate in Liquid Tight Strain Relief Protection

**NO O-RING
REQUIRED!**



| WILL FIT THESE CABLES | | | | PART NO. | DESCRIPTION | UL | PART DIMENSIONS | | | | | | | | | |
|-----------------------|-------------|------------------|-----|----------|-------------|-----|-----------------|-----------------------|--------------------|-----------------|---------------------------|-----|-------------|-----|--|--|
| Romex® Type | AWG/ Conds. | Approximate Size | | | | | Black | A Clearance Hole Dia. | B Max. O.A. Length | C Thread Length | D Wrenching Nut Thickness | | E Flat Size | | | |
| | | in. | mm. | | in. | mm. | in. | mm. | in. | mm. | in. | mm. | in. | mm. | | |

Romex® Connectors – assembled steel locknuts included

| | | | | | | | | | | | | | | | | |
|------|------|-----------|------------|------------|----------|----|-------|------|------|------|-----|------|-----|-----|------|------|
| NM-B | 14/2 | .19 x .39 | 4,9 x 9,9 | M3231GZA* | LTCG 1/2 | UL | .875 | 22,2 | 1,70 | 43,2 | .61 | 15,5 | .21 | 5,3 | .98 | 24,9 |
| | | | | M3234GZA | LTCG 3/4 | - | 1,040 | 26,4 | 2,00 | 50,8 | .62 | 15,7 | .25 | 6,4 | 1,30 | 33,0 |
| NM-B | 12/2 | .21 x .42 | 5,3 x 10,7 | M3231GZB* | LTCG 1/2 | UL | .875 | 22,2 | 1,70 | 43,2 | .61 | 15,5 | .21 | 5,3 | .98 | 24,9 |
| | | | | M3234GZB | LTCG 3/4 | UL | 1,040 | 26,4 | 2,00 | 50,8 | .62 | 15,7 | .25 | 6,4 | 1,30 | 33,0 |
| UF-B | 14/2 | .18 x .35 | 4,5 x 8,9 | M3234GZE | LTCG 3/4 | - | | | | | | | | | | |
| | 12/2 | .19 x .42 | 4,8 x 10,7 | M3234GZF | LTCG 3/4 | UL | 1,040 | 26,4 | 2,00 | 50,8 | .62 | 15,7 | .25 | 6,4 | 1,30 | 33,0 |
| | | 14/3 | .19 x .63 | 4,8 x 16,1 | | | | | | | | | | | | |

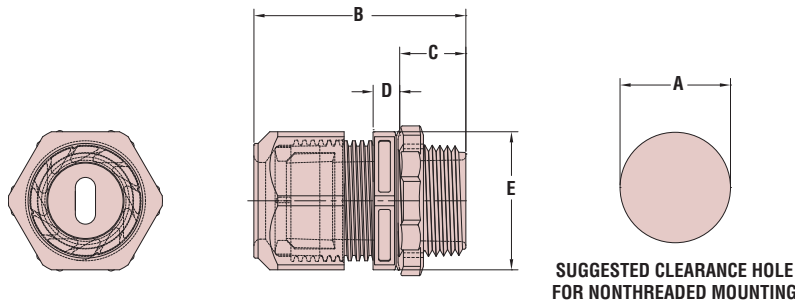
Other Oval Hole LTCGs – locknuts not included

| | | | | | | | | | | | | | | | | |
|-----|-----|-----------|------------|----------|----------|---|-------|------|------|------|-----|------|-----|-----|------|------|
| n/a | n/a | .45 x .21 | 11,4 x 5,3 | M3234GZK | LTCG 3/4 | - | 1,040 | 26,4 | 2,00 | 50,8 | .62 | 15,7 | .25 | 6,4 | 1,30 | 33,0 |
| | | .31 x .19 | 7,9 x 4,8 | M3234GZM | LTCG 3/4 | | | | | | | | | | | |
| | | .69 x .19 | 17,5 x 4,8 | M8437GZH | LTCG 1 | | | | | | | | | | | |

Standard color black.

* Certified by Canadian Standard Association for NMD-90 wire-File 93876.

- Multiple gland sizes for 12/2 through 14/3 Romex® NM-B and UF-B cable. Consult Heyco for additional cable sizes.
- Hub sizes for 1/2 NPT and 3/4 NPT electrical knock-outs or threaded couplings. Consult Heyco for PG and Metric threaded hubs.
- Ratchet design of sealing nut assembly provides superior anti-vibration protection and ensures a firm grip on this cable.
- Integral Sealing Ring ensures a superior seal at mounting locations every time.
- All nylon construction with TPE sealing gland resists salt water, weak acids, gasoline, alcohol, oil, grease, and common solvents. (This feature is not assessed by UL.)
- **Assembled Metal Locknuts INCLUDED.**



| | |
|---------------------|--|
| Material | Nylon 6/6 with TPE Sealing Gland |
| Certifications | UL Listed under Underwriters' Laboratories File E103540 |
| Flammability Rating | 94V-2 |
| Temperature Range | Static -40°F (-40°C) to 239°F (115°C) Dynamic -4°F (-20°C) to 212°F (100°C) |
| IP Rating | IP 68 |

*Quick
Specs*