

“Stay Connected” with



Liquid Tight Cordgrips

a PennEngineering® Company

## Heyco® -Tite Liquid Tight Cordgrips

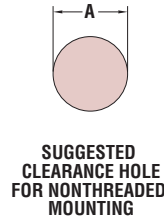
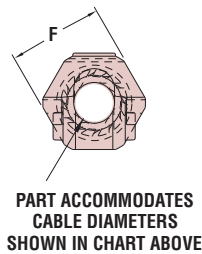
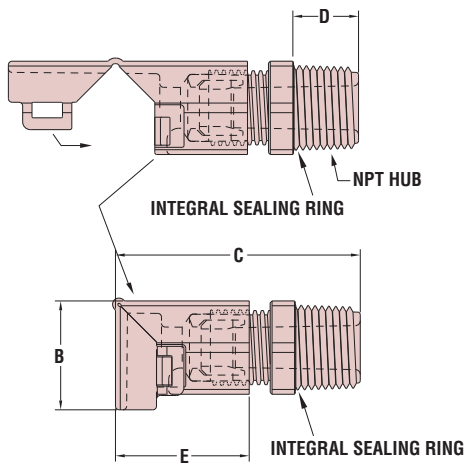
Right Angle, NPT Hubs with Integral Sealing Ring  
 The Ultimate in Liquid Tight Strain Relief Protection  
 Patented Fold Over Design

**NO O-RING  
 REQUIRED!**



CABLE DIA. RANGE		PART NO.	DESCRIPTION	UL or IEC	PART DIMENSIONS											
in.	mm.				A Clearance Hole Dia.	B Right Angle Height	C Max O.A. Length (Closed)		D Thread Length		E Sealing Nut Length		F Wrenching Nut Flat Size			
		Black			in.	mm.	in.	mm.	in.	mm.	in.	mm.	in.	mm.	in.	mm.
.065 - .210	1,7 - 5,3	<b>M4560</b>	RLTCG 1/4 90		.540	13,7	.69	17,5	1.67	42,5	.45	11,4	.86	22,0	.63	16,0
.115 - .250	2,9 - 6,4	<b>M4562</b>	LTCG 1/4 90	UL												
.065 - .230	1,7 - 5,8	<b>M8560</b>	RLTCG 3/8 90		.680	17,3	.88	22,3	1.93	48,9	.49	12,4	1.07	27,1	.82	20,8
.105 - .315	2,7 - 8,0	<b>M8562</b>	LTCG 3/8 90	UL												
.095 - .290	2,4 - 7,4	<b>M4564</b>	RLTCG 1/2 90		.875	22,2	1.06	26,9	2.41	61,2	.61	15,5	1.38	35,1	.98	24,9
.170 - .450	4,3 - 11,4	<b>M8564</b>	LTCG 1/2 90	UL												

Standard color black.



- Cordgrip is molded in the open position for ease of installation. After cable insertion, the fitting snaps closed, bending the cable without damage. This assembly method saves considerable time and money.
- Part design provides liquid tight integrity even in the open position.
- Integral Sealing Ring ensures a superior seal at the clearance or threaded mounting hole location, every time.
- Widest range of approved cable diameters.
- IP 68 rated.
- Approved for **NEMA 4, 4X, 6 and 6P** applications.
- Acme threads on body prevent skipping and speed installation.
- Multiple sizes for flexible cord diameters ranging from .065" (1,7 mm) to .450" (11,4 mm).
- We recommend using the fitting with the smallest maximum diameter that will fit your application.
- **Patented.**
- **Locknuts not included.** For nylon locknut specifications or to order locknuts separately, see page 3-47.
- For Heyco Liquid Tight Threaded Plugs, see page 3-51.
- Consult Heyco for cordgrips molded in other colors.

Material	Nylon 6/6 w/Buna N or TPE Sealing Gland
Certifications	<ul style="list-style-type: none"> <li>UL Listed under Underwriters' Laboratories File E51579</li> <li>Recognized under Components Program of Underwriters' Laboratories File E51579</li> <li>SP Certified by Canadian Standard Association File 93876C</li> </ul>
Flammability Rating	94V-2
Temperature Range	Static -40°F (-40°C) to 239°F (115°C) Dynamic -4°F (-20°C) to 212°F (100°C)
IP Rating	IP 68 (70 PSI, 5 BAR)

*Quick  
 Specs*