

Lighting Controls

DATE: _____ LOCATION: _____

TYPE: _____ PROJECT: _____

CATALOG #: _____

LIGHTOWL® PASSIVE INFRARED OUTDOOR SENSOR

CEILING AND WALL MOUNT OCCUPANCY SENSOR

FEATURES

- IntelliDAPT® self-adaptive technology—no manual adjustment required
- All-digital dual technology passive infrared [PIR] sensor
- Non-volatile memory for sensor settings
- 1,600 square-foot coverage area
- Relay and photocell control
- Low voltage device: 24 VDC
- Operating temperature range from -40°F to 149°F (-40°C to 65°C)
- Outdoor rated



SPECIFICATIONS

CONSTRUCTION

- Casing – Rugged, high-impact, injection-molded plastic KJB ABS Cyclac (UL-945VA)
- Color-coded leads are 6" long (152.4mm)
- Gray
- 6.06" H x 3.49" W x 6.3" D (153.9mm H x 88.7mm W x 160.0mm D)
- Red LED lamp with infrared motion
- Dual-element pyrometer and 12-element cylindrical rugged lens

MOUNTING

- Mounting base provided
- Recommended MAX mounting height: 12ft. (3.66m)

ELECTRICAL

- Indoor and outdoor use
- 24VDC, 33 mA (uses UVPP and MP-Series power pack—not included)

OPERATIONS

- IntelliDAPT
 - Auto reset from test setting
 - Self-adjusting timer
 - Automatic false-ON/false-OFF corrections
- Coverage
 - LOIRWVRP-LWO: 1,600 square feet (487.68 square meters)
- Timer Settings
 - Automatic mode: 8–30 minutes (self-adjusts based on occupancy)
 - Test mode: 8 seconds (for an easy check at installation)
- RP Option
 - Relay and photocell included
 - Relay: N/O + N/C contacts; SPDT; 500 mA rated @ 24 VDC; three-wire isolated relay
 - Photocell: adjustable natural-light override ranges from 0 to 100 foot-candles (0–1,000 lux)
 - Factory set at 3,000 lux (disable photocell)

OPERATING ENVIRONMENT

- Indoor and outdoor use
- Operating temperature range from -40°F to 149°F (-40°C to 65°C)

CERTIFICATIONS

- UL, cUL listed, IP66, NEMA4X

WARRANTY

- 5 year warranty

ORDERING GUIDE

Example: LOIRWVRP-LWO

CATALOG #

LO	IRWVRP	–	LWO
Model	Description		Environment
LO	LightOWL IRWVRP Neutral (120/277V)		LWO Switchable Vacancy or Occupancy Mode

Lighting Controls

DATE: _____ LOCATION: _____

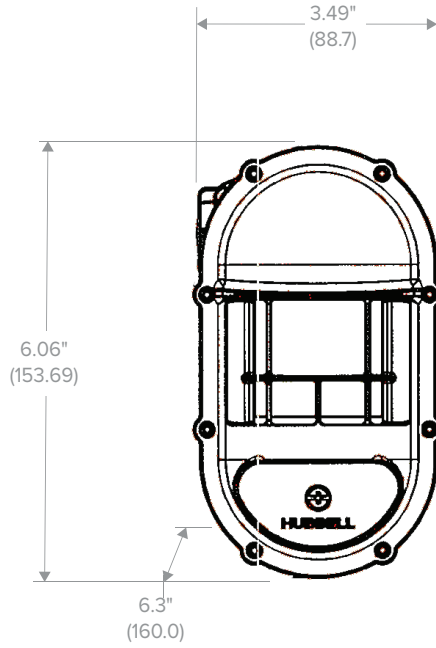
TYPE: _____ PROJECT: _____

CATALOG #: _____

LIGHTOWL[®] PASSIVE INFRARED OUTDOOR SENSOR

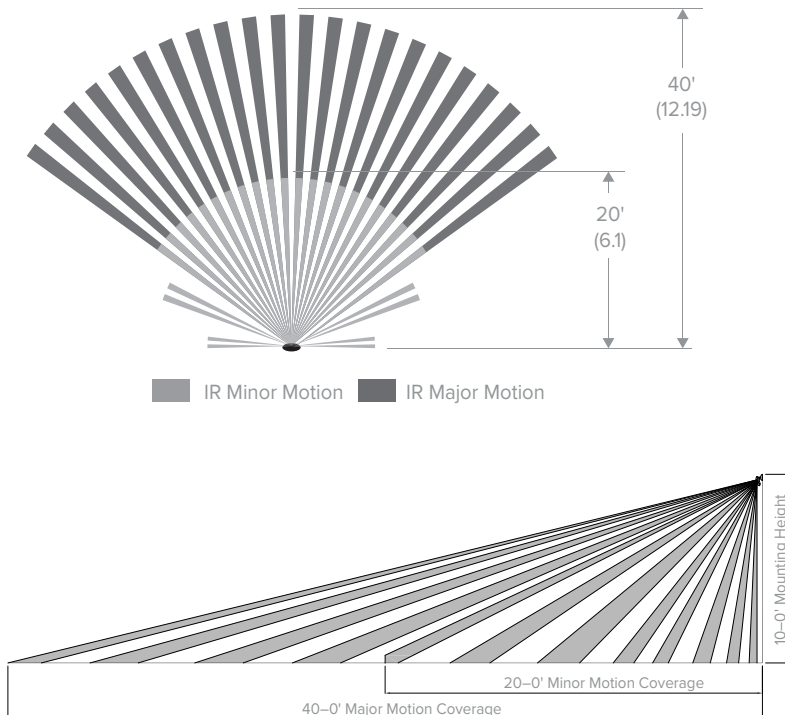
CEILING AND WALL MOUNT OCCUPANCY SENSOR

DIMENSIONS



ADDITIONAL INFORMATION

Coverage Pattern

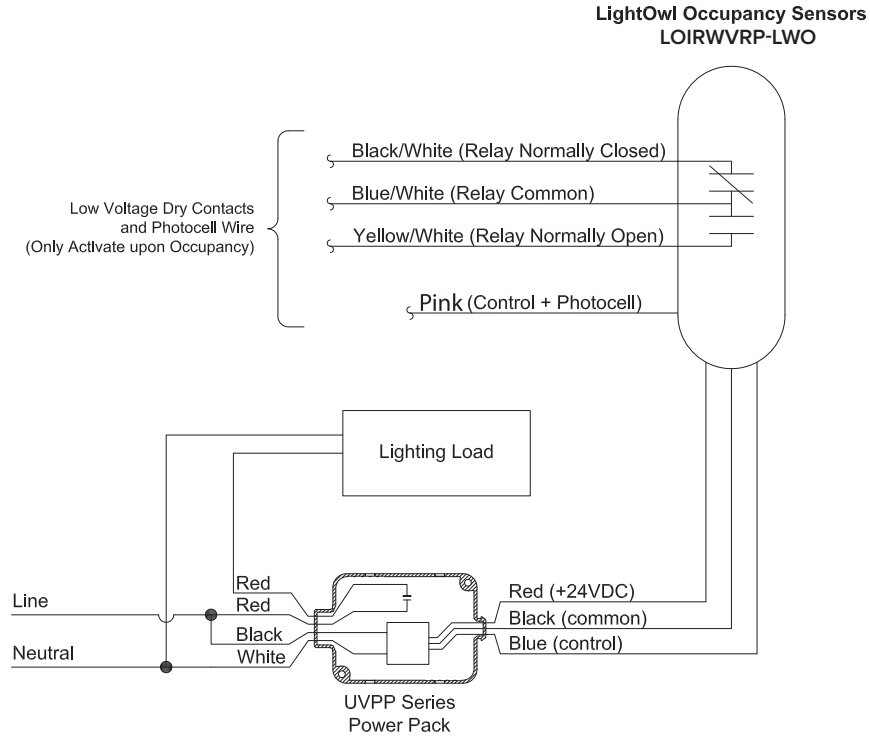


Lighting Controls

LIGHTOWL[®] PASSIVE INFRARED OUTDOOR SENSOR CEILING AND WALL MOUNT OCCUPANCY SENSOR

ADDITIONAL INFORMATION CONTINUED

Wiring Diagram



Pink wire replaces previous gray wire.
Units with a gray instead of pink wire
should be wired as the pink wire shown
in the diagram.