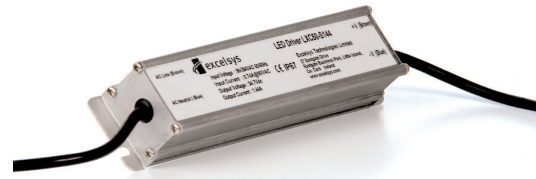


LXC36 series

LED Power Supply

Constant Current LED Power Supplies

LED Power
36W

LED POWER

next generation power
source

FEATURES

- High Efficiency (up to 90%)
- Active PFC (Typical 0.95)
- IP67 Waterproof
- OVP, SCP, OLP, OTP
- -35 to +70°C deg operation
- Universal Input 90-305VAC
- UL8750 recognised
- EN61347-1, -2-13 compliant

The LXC36 series of constant current LED power supplies from Excelsys Technologies can deliver up to 36W of output power in an extremely compact package size.

The LXC36 series of constant current power supplies provides up to 1750mA of output current and 102V output voltage solutions for specific LED requirements. With industry leading efficiencies, and an extensive protection feature set, the LXC36 series provides high reliability and high performance in a compact package

The LXC36 series carries the UL and CE mark for safety and is also RoHS compliant.

| Model Number | Output Voltage | Output Current | Input Voltage | Efficiency |
|-----------------------------|----------------|----------------|---------------|------------|
| LXC36-0350SW ⁽²⁾ | 52-102V | 350mA | 90-305VAC | 90.0% |
| LXC36-0450SW ⁽²⁾ | 40-80V | 450mA | 90-305VAC | 89.0% |
| LXC36-0700SW ⁽³⁾ | 26-52V | 700mA | 90-305VAC | 88.0% |
| LXC36-1050SW ⁽⁴⁾ | 18-35V | 1050mA | 90-305VAC | 88.0% |
| LXC36-1400SW ⁽⁴⁾ | 13-26V | 1400mA | 90-305VAC | 87.0% |
| LXC36-1750SW ⁽⁴⁾ | 11-21V | 1750mA | 90-305VAC | 86.0% |

| Input Specifications | | | | | |
|-----------------------------|---|--------------|---------|------|------------|
| Parameter | Conditions/Description | Min | Nom | Max | Units |
| Input Voltage Range | Universal Input | 90 | | 305 | VAC |
| Input Frequency Range | | 47 | | 63 | Hz |
| Input Current | 100VAC in, 36W output | | | 0.6 | A |
| Leakage Current | 277VAC Input, 50Hz | | | 0.5 | mA |
| Inrush Current | 230VAC in, 25°C, Cold Start | | | 60 | A |
| Power Factor | 220VAC, 110VAC | 0.95 | | 0.98 | |
| Output Specifications | | | | | |
| Parameter | Conditions/Description | Min | Nom | Max | Units |
| Line Regulation | | | | ±1 | % |
| Load Regulation | | | | ±3 | % |
| Voltage Range | See individual models | | | | VDC |
| Output Current | See individual models | | | | mA |
| Output Current Tolerance | | | | ±5 | %/Load |
| Overshoot/Output Current | | | | 10 | % |
| Turn-on Delay | Measured at 220VAC and full load | | 0.3 | 0.5 | s |
| Short Circuit Protection | Auto Recovery | | | | |
| Over Temperature Protection | Hiccup, Auto recovery | 95 | 110 | 125 | °C |
| General Specifications | | | | | |
| Parameter | Conditions/Description | Min | Nom | Max | Units |
| Isolation Voltage | Input to Output See Note 1 Input to Chassis | 3750 1500 | | | VAC VAC |
| Efficiency | See individual models | | 88 | | % |
| Safety Agency Approvals | UL8750, EN61347-1, -2-13, UL1310 (See Note 2,3 & 4) | | | | |
| No load Power Dissipation | Measured at 230 Vac | | | 6.0 | W |
| MTBF | MIL-HDBK-217F, 110VAC input, 80% load, 25°C | | 469,000 | | Hours |
| Lifetime | 110VAC input, 80% load, 45°C | | 74,000 | | Hours |
| Weight | | | 480 | | g |
| Operating Temperature | | -35 | | +70 | °C |
| Storage Temperature | | -40 | | +85 | °C |
| Relative Humidity | Non-condensing (operating) | 10 | | 100 | %RH |

Specifications are subject to change without notice



Europe/Asia

Excelsys Technologies Ltd t: +353 21 4354716
 27 Eastgate Drive f: +353 21 4354864
 Eastgate Business Park e: sales@excelsys.com
 Little Island, Cork, Ireland
 IRELAND

North America

Excelsys Technologies t: (972) 771 4544
 519 Interstate 30, #309 f: (972) 421 1805
 Rockwall, TX 75087 e: salesusa@excelsys.com
 USA

| EMC | | | | |
|----------------------------------|--------------|--|-------------|-------|
| Parameter | Standard | | Level | Units |
| Emissions | | | | |
| Conducted | EN55015 | | Level B | |
| Radiated | EN55015 | | Level B | |
| Harmonic Distortion | EN61000-3-2 | | Compliant | |
| Flicker and Fluctuation | EN61000-3-3 | | Compliant | |
| Immunity | | | | |
| ESD | EN61000-4-2 | | Compliant | |
| Radiated RFI | EN61000-4-3 | | Compliant | |
| Fast Transients - burst | EN61000-4-4 | | Level 3 (A) | |
| Surge Immunity | EN61000-4-5 | | Compliant | |
| Conducted RFI | EN61000-4-6 | | Compliant | |
| Power Freq Magnetic Field | EN61000-4-8 | | Compliant | |
| Voltage Dips | EN61000-4-11 | | Compliant | |

- Note 1. Primary to Secondary Isolation test not to be carried out on power supply.
- Note 2. Non - UL1310 Class 2 output in USA and Canada.
- Note 3. UL1310 Class 2 output for in USA only.
- Note 4. UL1310 Class 2 outputs for USA and Canada.

INPUT / OUTPUT WIRING

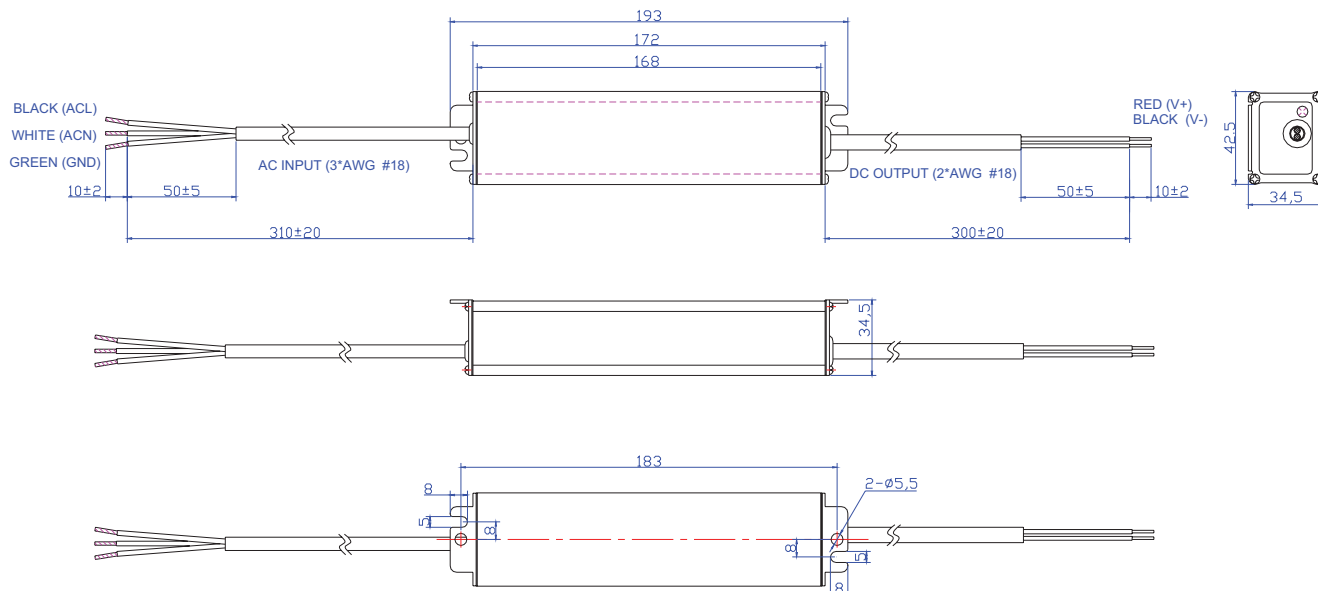
INPUT CABLE

SJTW 18AWG 3C
Black (L), White (N), Green (G) 310±20mm

OUTPUT CABLE

SJTW 18AWG 2C
Black (-V) and Red (+V) 300±20mm

MECHANICAL SPECIFICATIONS

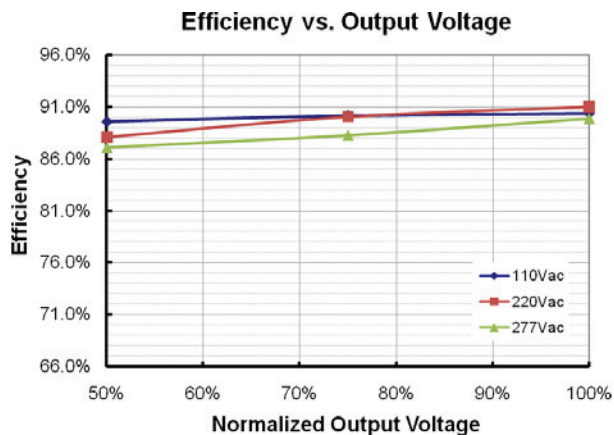
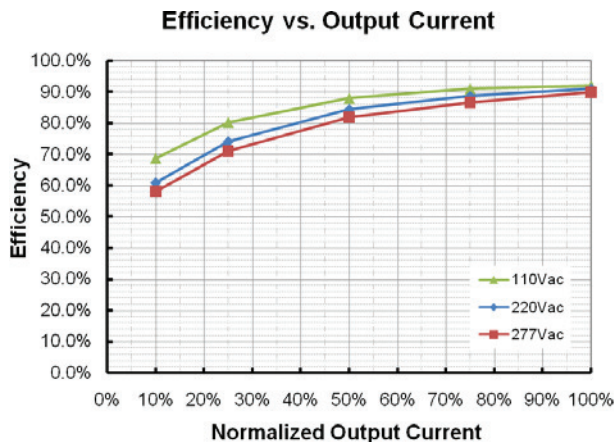


Specifications are subject to change without notice

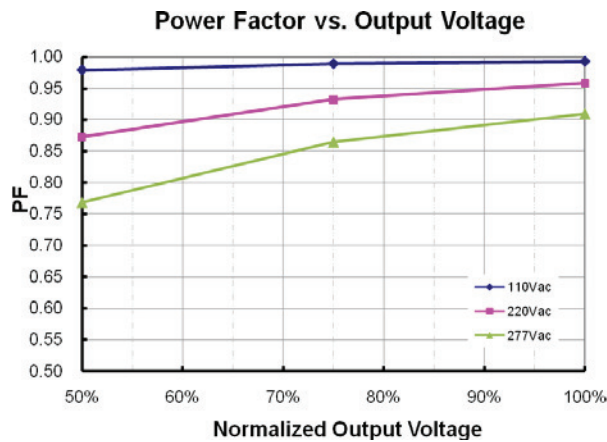
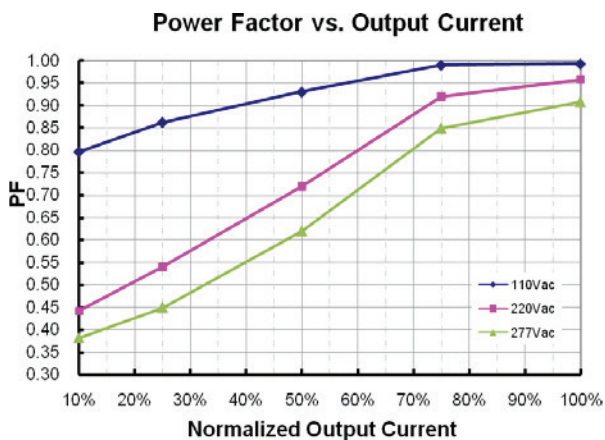


| | | | |
|------------------------------|-----------------------|-------------------------|--------------------------|
| Europe/Asia | | North America | |
| Excelsys Technologies Ltd | t: +353 21 4354716 | Excelsys Technologies | t: (972) 771 4544 |
| 27 Eastgate Drive | f: +353 21 4354864 | 519 Interstate 30, #309 | f: (972) 421 1805 |
| Eastgate Business Park | e: sales@excelsys.com | Rockwall, TX 75087 | e: salesusa@excelsys.com |
| Little Island, Cork, Ireland | | USA | |
| IRELAND | | | |

Efficiency vs. Load (350mA Model)



Power Factor Characteristics



Specifications are subject to change without notice



| | | | | | | | |
|---|--|---|--|---|--|--|--|
| Europe/Asia Excelsys Technologies Ltd 27 Eastgate Drive Eastgate Business Park Little Island, Cork, Ireland IRELAND | | t: +353 21 4354716 f: +353 21 4354864 e: sales@excelsys.com | | North America Excelsys Technologies 519 Interstate 30, #309 Rockwall, TX 75087 USA | | t: (972) 771 4544 f: (972) 421 1805 e: salesusa@excelsys.com | |
|---|--|---|--|---|--|--|--|