

- 1
- 2
- 3
- 4
- 5
- 6
- 7
- 8
- 9
- 10
- 11
- 12
- 13
- 14
- 15
- 16
- 17
- 18

BASE

Glass-fibre reinforced polyamide based (PA) technopolymer, black colour, matte finish.

ARTICULATED STEM

Threaded zinc-plated steel with regulation hexagon.

STANDARD EXECUTIONS

- LV.F: without no-slip disk.
- LV.F-AS: with NBR rubber no-slip disk, hardness 70 Shore A, supplied assembled to the base.

GROUND MOUNTING

By means of two holes at 180°, supplied covered by a diaphragm (which can be easily removed by a metal tool), to avoid all unhealthy deposits of dirt and dust when the ground mounting is not required (see Fig. 1).

FEATURES

The special knurling under the lower lip of the base provides excellent stability and grip when using the levelling element without no-slip disk even on surfaces that are not perfectly flat.

The particular assembling system of the no-slip disk to the base assures a perfect anchoring, preventing separation even in case of impact during transport or of adhesion (sticking) to the floor (see No-slip disks on page 1283).

ORDER INFORMATION

The levelling elements are supplied unassembled to make carriage and storage easier. The components (base and stem) are supplied in separate packing: less volume taken and better protection from scratches and dirt.

To order bases and stems separately, see:

- table of possible combinations Bases/Stems (see page 1292)
- the codes of the Bases (see page 1288)
- the codes of the Stems (see page 1290).

ACCESSORIES ON REQUEST

Zinc-plated steel nut (see Nuts NT. on page 1283).



ELESA Original design

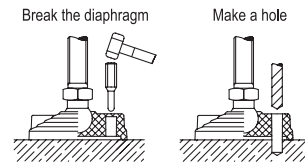
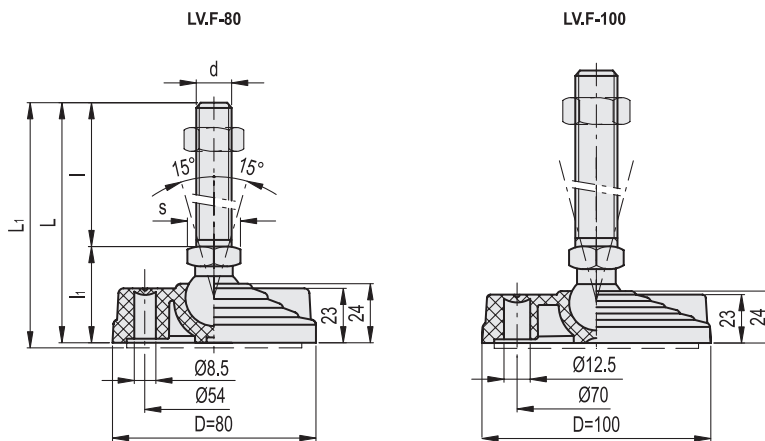


Fig. 1

Conversion Table	
1 mm = 0.039 inch	
D	
mm	inch
80	3.15
100	3.94
125	4.92



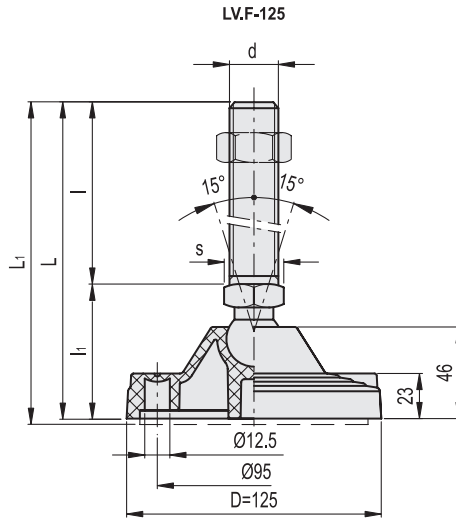
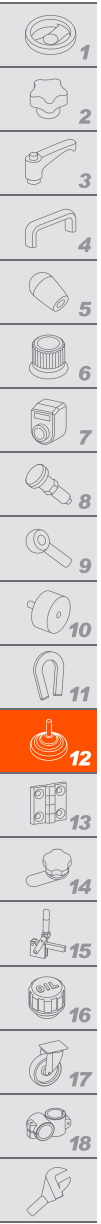
METRIC

LV.F		LV.F-AS												
Code	Description	Code	Description	D	d	L	L#	l	l1	s	Articulation ∅	Max. limit stati load* [N]	⚖️	⚖️ #
311121	LV.F-80-14-M8x43	314121	LV.F-80-14-AS-M8x43	80	M8	76	79	43	33	14	14	16000	85	111
311125	LV.F-80-14-M8x68	314125	LV.F-80-14-AS-M8x68	80	M8	101	104	68	33	14	14	16000	97	123
311221	LV.F-80-14-M10x43	314221	LV.F-80-14-AS-M10x43	80	M10	76	79	43	33	14	14	16000	94	120
311225	LV.F-80-14-M10x68	314225	LV.F-80-14-AS-M10x68	80	M10	101	104	68	33	14	14	16000	106	132
311231	LV.F-80-14-M10x98	314231	LV.F-80-14-AS-M10x98	80	M10	131	134	98	33	14	14	16000	120	146
311321	LV.F-80-14-M12x43	314321	LV.F-80-14-AS-M12x43	80	M12	76	79	43	33	14	14	16000	104	130
311325	LV.F-80-14-M12x68	314325	LV.F-80-14-AS-M12x68	80	M12	101	104	68	33	14	14	16000	121	147
311331	LV.F-80-14-M12x98	314331	LV.F-80-14-AS-M12x98	80	M12	131	134	98	33	14	14	16000	142	168
311421	LV.F-80-14-M14X68	314421	LV.F-80-14-AS-M14X68	80	M14	101	104	68	33	14	14	16000	143	169
311431	LV.F-80-14-M14X98	314431	LV.F-80-14-AS-M14X98	80	M14	131	134	98	33	14	14	16000	164	190
311441	LV.F-80-14-M14X148	314441	LV.F-80-14-AS-M14X148	80	M14	181	184	148	33	14	14	16000	247	273
311521	LV.F-80-14-M16x68	314521	LV.F-80-14-AS-M16x68	80	M16	101	104	68	33	16	14	16000	165	191
311525	LV.F-80-14-M16x108	314525	LV.F-80-14-AS-M16x108	80	M16	141	144	108	33	16	14	16000	217	243
311541	LV.F-80-14-M16x148	314541	LV.F-80-14-AS-M16x148	80	M16	181	184	148	33	16	14	16000	269	295
311561	LV.F-80-14-M16x168	314561	LV.F-80-14-AS-M16x168	80	M16	201	204	168	33	16	14	16000	295	321
311621	LV.F-80-24-M16x58	314621	LV.F-80-24-AS-M16x58	80	M16	101	104	58	43	24	24	18000	227	253
311625	LV.F-80-24-M16x98	314625	LV.F-80-24-AS-M16x98	80	M16	141	144	98	43	24	24	18000	278	304
311641	LV.F-80-24-M16x138	314641	LV.F-80-24-AS-M16x138	80	M16	181	184	138	43	24	24	18000	328	354
311661	LV.F-80-24-M16x158	314661	LV.F-80-24-AS-M16x158	80	M16	201	204	158	43	24	24	18000	355	381
311725	LV.F-80-24-M20x98	314725	LV.F-80-24-AS-M20x98	80	M20	141	144	98	43	24	24	18000	348	374
311741	LV.F-80-24-M20x138	314741	LV.F-80-24-AS-M20x138	80	M20	181	184	138	43	24	24	18000	427	453
311761	LV.F-80-24-M20x158	314761	LV.F-80-24-AS-M20x158	80	M20	201	204	158	43	24	24	18000	466	492
311781	LV.F-80-24-M20x198	314781	LV.F-80-24-AS-M20x198	80	M20	241	244	198	43	24	24	18000	549	575
311825	LV.F-80-24-M24x98	314825	LV.F-80-24-AS-M24x98	80	M24	141	144	98	43	24	24	18000	446	472
311861	LV.F-80-24-M24x158	314861	LV.F-80-24-AS-M24x158	80	M24	201	204	158	43	24	24	18000	618	644
311881	LV.F-80-24-M24x198	314881	LV.F-80-24-AS-M24x198	80	M24	241	244	198	43	24	24	18000	736	762
312451	LV.F-100-14-M8x43	315451	LV.F-100-14-AS-M8x43	100	M8	76	79	43	33	14	14	18000	93	148
312453	LV.F-100-14-M8x68	315453	LV.F-100-14-AS-M8x68	100	M8	101	104	68	33	14	14	18000	105	160
312461	LV.F-100-14-M10x43	315461	LV.F-100-14-AS-M10x43	100	M10	76	79	43	33	14	14	18000	102	157
312463	LV.F-100-14-M10x68	315463	LV.F-100-14-AS-M10x68	100	M10	101	104	68	33	14	14	18000	114	169
312465	LV.F-100-14-M10x98	315465	LV.F-100-14-AS-M10x98	100	M10	131	134	98	33	14	14	18000	128	183
312471	LV.F-100-14-M12x43	315471	LV.F-100-14-AS-M12x43	100	M12	76	79	43	33	14	14	18000	112	167
312473	LV.F-100-14-M12x68	315473	LV.F-100-14-AS-M12x68	100	M12	101	104	68	33	14	14	18000	129	184
312475	LV.F-100-14-M12x98	315475	LV.F-100-14-AS-M12x98	100	M12	131	134	98	33	14	14	18000	150	205
312477	LV.F-100-14-M14X68	315477	LV.F-100-14-AS-M14X68	100	M14	101	104	68	33	14	14	18000	151	206
312479	LV.F-100-14-M14X98	315479	LV.F-100-14-AS-M14X98	100	M14	131	134	98	33	14	14	18000	172	227
312480	LV.F-100-14-M14X148	315480	LV.F-100-14-AS-M14X148	100	M14	181	184	148	33	14	14	18000	255	310
312481	LV.F-100-14-M16x68	315481	LV.F-100-14-AS-M16x68	100	M16	101	104	68	33	16	14	18000	173	228
312483	LV.F-100-14-M16x108	315483	LV.F-100-14-AS-M16x108	100	M16	141	144	108	33	16	14	18000	225	280
312485	LV.F-100-14-M16x148	315485	LV.F-100-14-AS-M16x148	100	M16	181	184	148	33	16	14	18000	277	332
312487	LV.F-100-14-M16x168	315487	LV.F-100-14-AS-M16x168	100	M16	201	204	168	33	16	14	18000	303	358
312521	LV.F-100-24-M16x58	315521	LV.F-100-24-AS-M16x58	100	M16	101	104	58	43	24	24	25000	257	311
312525	LV.F-100-24-M16x98	315525	LV.F-100-24-AS-M16x98	100	M16	141	144	98	43	24	24	25000	308	362
312541	LV.F-100-24-M16x138	315541	LV.F-100-24-AS-M16x138	100	M16	181	184	138	43	24	24	25000	358	412
312561	LV.F-100-24-M16x158	315561	LV.F-100-24-AS-M16x158	100	M16	201	204	158	43	24	24	25000	385	439
312625	LV.F-100-24-M20x98	315625	LV.F-100-24-AS-M20x98	100	M20	141	144	98	43	24	24	25000	378	432
312641	LV.F-100-24-M20x138	315641	LV.F-100-24-AS-M20x138	100	M20	181	184	138	43	24	24	25000	457	511
312661	LV.F-100-24-M20x158	315661	LV.F-100-24-AS-M20x158	100	M20	201	204	158	43	24	24	25000	496	550
312681	LV.F-100-24-M20x198	315681	LV.F-100-24-AS-M20x198	100	M20	241	244	198	43	24	24	25000	579	633
312725	LV.F-100-24-M24x98	315725	LV.F-100-24-AS-M24x98	100	M24	141	144	98	43	24	24	25000	476	530
312761	LV.F-100-24-M24x158	315761	LV.F-100-24-AS-M24x158	100	M24	201	204	158	43	24	24	25000	648	702
312781	LV.F-100-24-M24x198	315781	LV.F-100-24-AS-M24x198	100	M24	241	244	198	43	24	24	25000	766	820

* The max static load is the value above which the load applied to the element may cause some plastic material breakage, in particular conditions of use. Obviously, a factor that takes into consideration the importance and the safety level of the specific application must be applied to this value.

Data with no-slip disk mounted.





Conversion Table	
1 mm = 0,039 inch	
D	
mm	inch
80	3.15
100	3.94
125	4.92

METRIC

LV.F		LV.F-AS		D	d	L	L1#	l	l1	s	Articulation Ø	Max. limit stati load* [N]	⚖️	⚖️#
313521	LV.F-125-24-M16x58	316221	LV.F-125-24-AS-M16x58	125	M16	125	128	58	67	24	24	28000	396	521
313525	LV.F-125-24-M16x98	316225	LV.F-125-24-AS-M16x98	125	M16	165	168	98	67	24	24	28000	447	572
313541	LV.F-125-24-M16x138	316241	LV.F-125-24-AS-M16x138	125	M16	205	208	138	67	24	24	28000	497	622
313561	LV.F-125-24-M16x158	316261	LV.F-125-24-AS-M16x158	125	M16	225	228	158	67	24	24	28000	524	649
313625	LV.F-125-24-M20x98	316325	LV.F-125-24-AS-M20x98	125	M20	165	168	98	67	24	24	28000	517	642
313641	LV.F-125-24-M20x138	316341	LV.F-125-24-AS-M20x138	125	M20	205	208	138	67	24	24	28000	596	721
313661	LV.F-125-24-M20x158	316361	LV.F-125-24-AS-M20x158	125	M20	225	228	158	67	24	24	28000	635	760
313681	LV.F-125-24-M20x198	316381	LV.F-125-24-AS-M20x198	125	M20	265	268	198	67	24	24	28000	718	843
313725	LV.F-125-24-M24x98	316425	LV.F-125-24-AS-M24x98	125	M24	165	168	98	67	24	24	28000	615	740
313761	LV.F-125-24-M24x158	316461	LV.F-125-24-AS-M24x158	125	M24	225	228	158	67	24	24	28000	787	912
313781	LV.F-125-24-M24x198	316481	LV.F-125-24-AS-M24x198	125	M24	265	268	198	67	24	24	28000	905	1030

* The max static load is the value above which the load applied to the element may cause some plastic material breakage, in particular conditions of use. Obviously, a factor that takes into consideration the importance and the safety level of the specific application must be applied to this value.

Data with no-slip disk mounted.