

SILICON CARBIDE SCHOTTKY DIODE

REVERSE VOLTAGE – 650 Volts
FORWARD CURRENT – 4 Amperes

FEATURES

- Positive temperature coefficient for safe operation and easy of paralleling
- 175°C maximum operating junction temperature
- Essentially no reverse or forward recovery
- Extremely fast switching not dependent on temperature

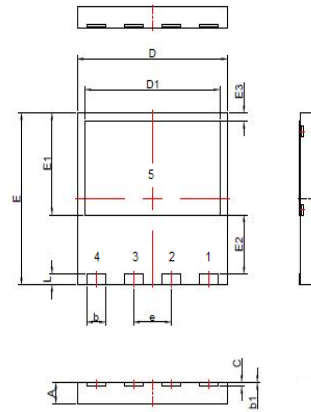
APPLICATION

- Power converters
- Switching-mode power supplies
- Power Factor correction modules

MECHANICAL DATA

- Case: DFN8080
- Case Material: "Green" molding compound, UL flammability classification 94V-0, "Halogen-free".
- Moisture Sensitivity Level 1 per J-STD-020
- Lead free finish, RoHS compliant
- Weight: 0.214 grams (Approximate)
- Marking code: LSC04065Q8

DFN8080



DFN8080		
DIM	MIN	MAX
A	0.90	1.10
b	0.90	1.10
b1	0	0.05
C	0.20 REF	
D	7.90	8.10
D1	7.10	7.30
E	7.90	8.10
E1	4.65	4.85
E2	2.65	2.85
E3	0.30	0.50
e	2.0 BSC	
L	0.40	0.60
All d mension in millimeter		

PIN 3,4 PIN 5

MAXIMUM RATINGS AND ELECTRICAL CHARACTERISTICS

Ratings at 25°C ambient temperature unless otherwise specified.

ABSOLUTE RATINGS

PARAMETER	SYMBOL	VALUE	UNIT
Maximum repetitive peak reverse voltage	V_{RRM}	650	V
Maximum DC blocking voltage	V_{DC}	650	V
Maximum Average rectified output current	$I_{(AV)}$	4	A
Peak forward surge current 8.3ms single half sine-wave superimposed on rated load.	I_{FSM}	26	A
Operating junction and Storage Temperature range	T_J, T_{STG}	-55 ~ +175	°C

STATIC ELECTRICAL CHARACTERISTICS

PARAMETER	TEST CONDITIONS	SYMBOL	TYP	MAX	UNIT
Forward voltage (Note1)	$I_F=4A$ $T_J=25^\circ C$ $T_J=175^\circ C$	V_F	-- 1.87	1.70 2.25	V
Leakage current	$V_R=650V$ $T_J=25^\circ C$ $T_J=175^\circ C$	I_R	-- 70.4	170 550	uA
Typical junction capacitance (Note 2)		C_J		140	pF

DYNAMIC ELECTRICAL CHARACTERISTICS

PARAMETER	TEST CONDITIONS	SYMBOL	TYP	UNIT
Total Capacitive Charge	$I_F=4A, V_R=400V, di/dt= 250A/uS,$	Q_C	11	nC

THERMAL CHARACTERISTICS

PARAMETER	SYMBOL	TYP	UNIT
Typical thermal resistance (Note 3,4)	R_{thJc}	6	°C/W
	R_{thJL}	12	

Note :

- (1) 300us pulse width, 2% duty cycle.
- (2) Measured at 1.0MHz and applied voltage of 1.0V DC.
- (3) Thermal resistance test performed in accordance with JESD-51.
- (4) The unit mounted on cooper heatsink (40 mm x 40 mm x 1.6 mm)

REV.-8, Jun -2020, KTGR03

FIG.1 FORWARD CURRENT DERATING CURVE

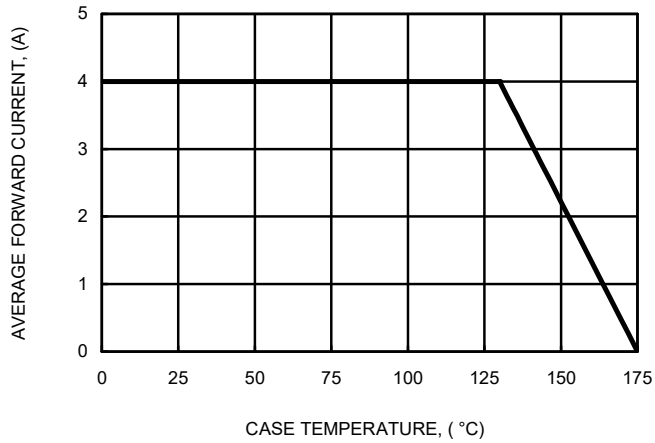


FIG.2 NON-REPETITIVE SURGE FORWARD CURRENT

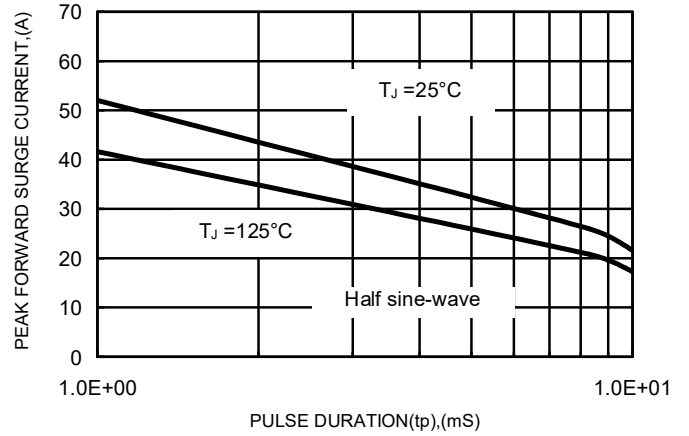


FIG.3 TYPICAL FORWARD CHARACTERISTICS

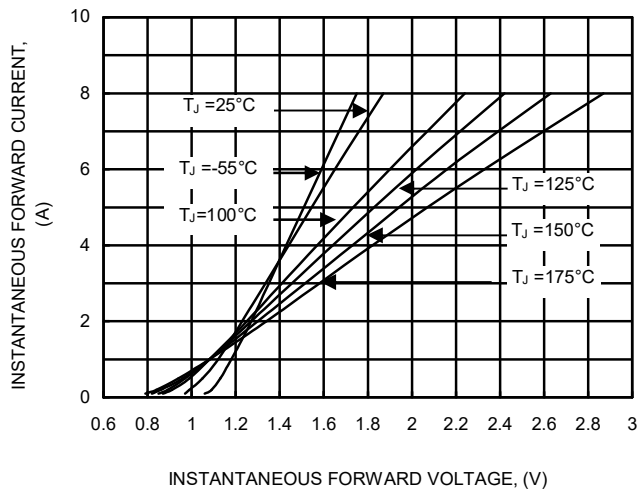


FIG.4 TYPICAL JUNCTION CAPACITANCE

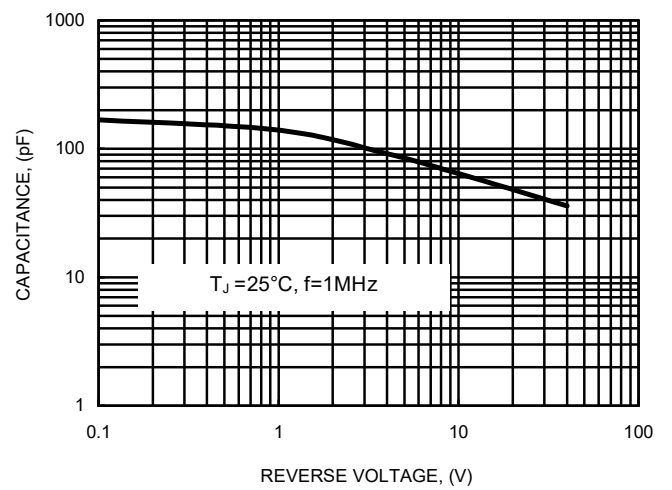


FIG.5 TYPICAL REVERSE CHARACTERISTICS

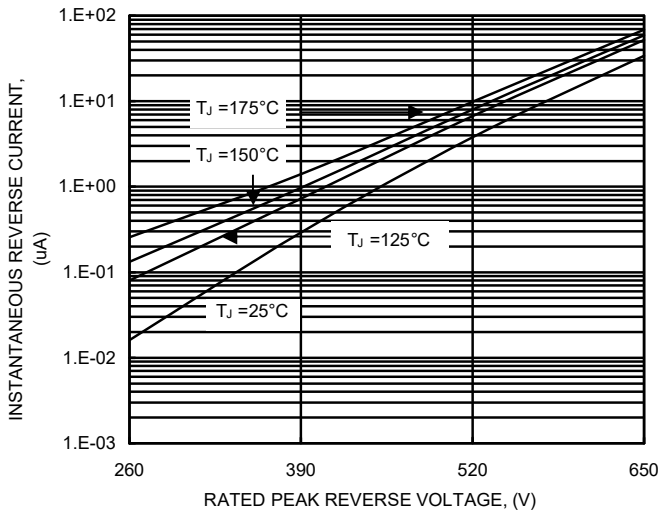
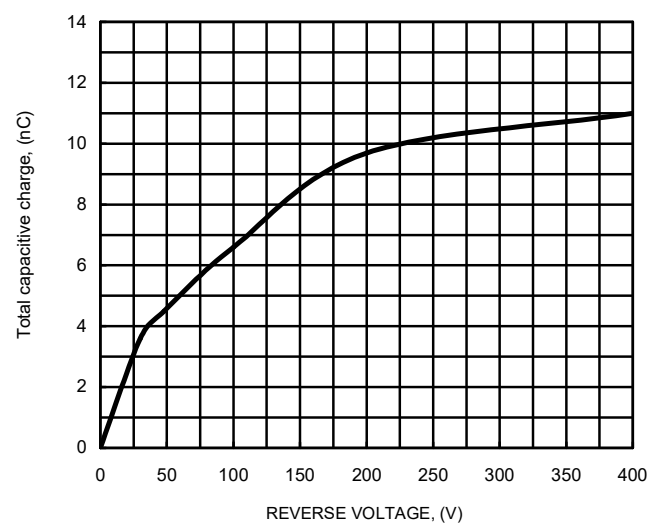
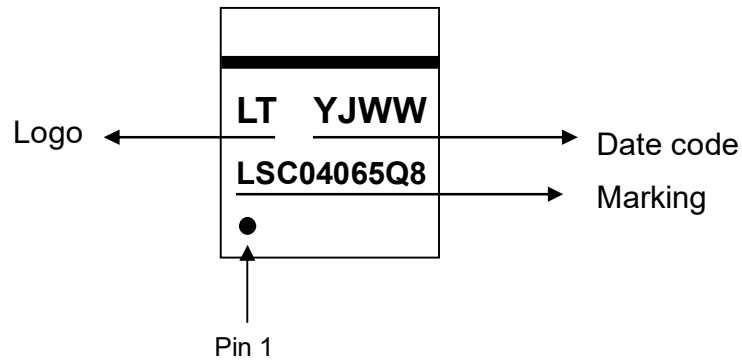


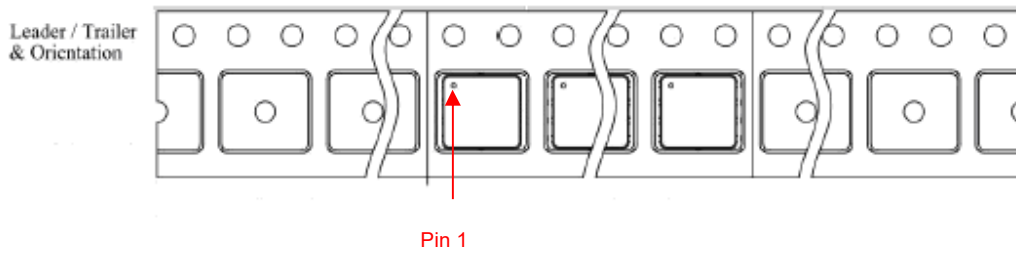
FIG.6 TYPICAL CAPACITIVE CHARGES



Marking Information :

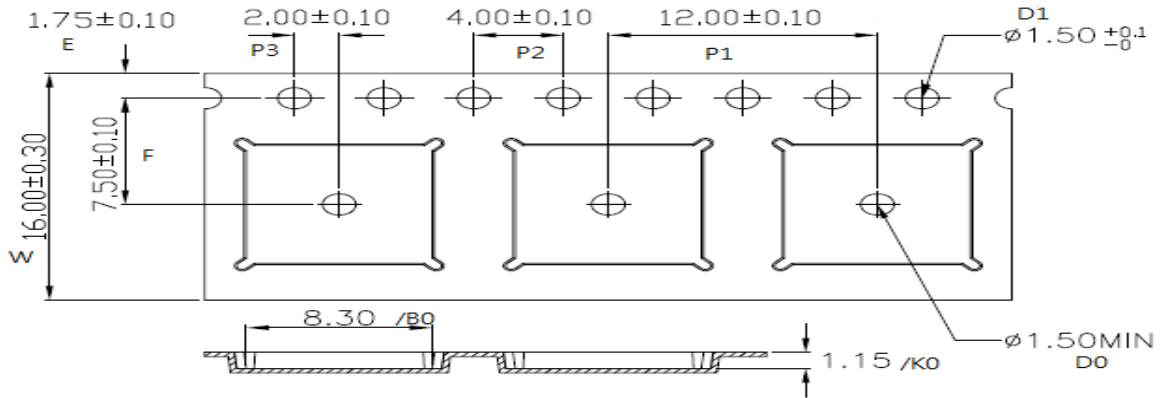


Packaging Information:

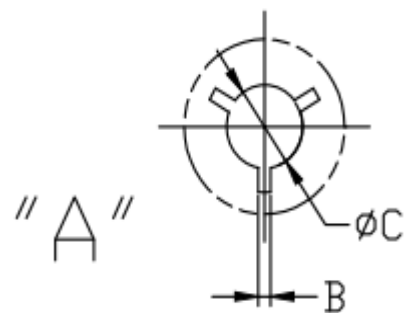
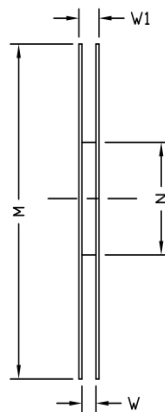
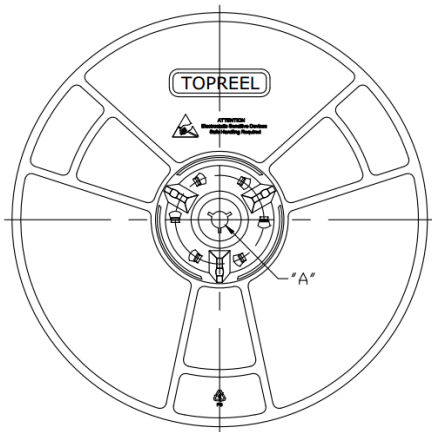


DEVICE	Q'TY/REEL (PCS)	REEL DIA. (mm)	Q'TY/BOX (PCS)	Q'TY/CARTON (PCS)	BOX SIZE (mm)	CARTON SIZE (mm)
LSC04065Q8	2.5K	330	2.5K	25K	345x355x30	355x346x376

Embossed Carrier Dimensions Information:



TAPE SIZE	D0	E	P1	P2	P3	UNIT
16mm	1.50/MIN	1.75+/-0.10	12.0+/-0.10	4.0+/-0.1	2.0+/-0.10	mm
	B0	W	F	K0		
	8.3	16+/-0.30	7.5+/-0.1	1.15		



UNIT:mm

TYPE SIZE	REEL SIZE	M	N	W	W1	B	C
16mm	∅330	∅330 +/-0.50	∅102 +/-0.50	16 +/-0.50	17.4 +/-0.5	2.0 +/-0.5	∅13.11 +/-0.50

Important Notice and Disclaimer

LSC reserves the right to make changes to this document and its products and specifications at any time without notice. Customers should obtain and confirm the latest product information and specifications before final design, purchase or use.

LSC makes no warranty, representation or guarantee regarding the suitability of its products for any particular purpose, nor does LSC assume any liability for application assistance or customer product design. LSC does not warrant or accept any liability with products which are purchased or used for any unintended or unauthorized application.

No license is granted by implication or otherwise under any intellectual property rights of LSC.

LSC products are not authorized for use as critical components in life support devices or systems without express written approval of LSC.