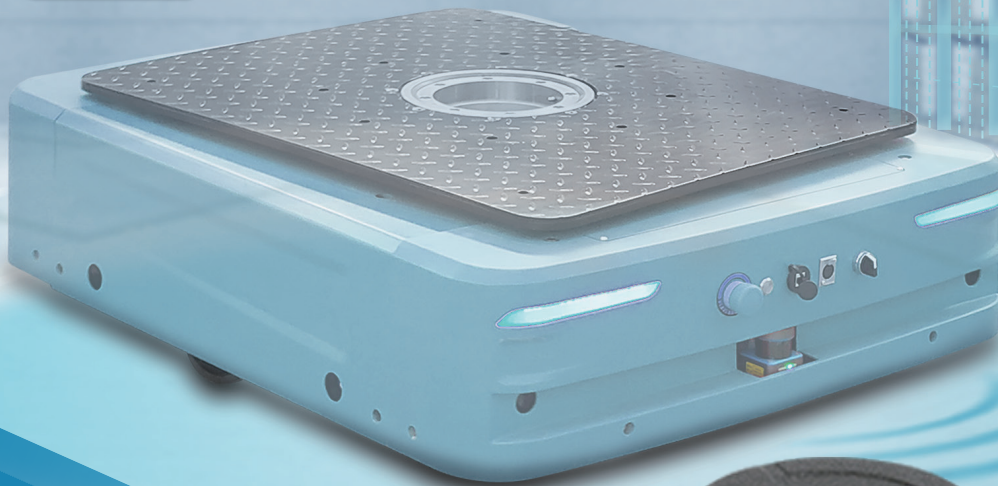
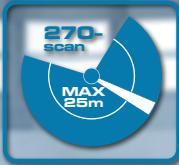


2D 270° Data Output LR-1BS5H Mini LiDAR Sensor



- Suitable for SLAM navigation and point cloud obstacle avoidance strategies
- User-settable weak signal threshold strength adjustment to cope with different usage scenarios
- Built-in multi-level filtering algorithm, customers can set as needed to deal with tailing problems
- Fixed 0.225° angle resolution
- Horizontal plane error of $\pm 0.5^\circ$ to ensure horizontal scanning distance
- Maximum point cloud density is 40k/s: Provide azimuth, distance, reflection intensity and other data
- Certification: FCC, EMC, CE, RoHS, REACH
- IP66 Protection Level



Robotics



Security



Industrial



Intelligent
logistics



2D 270° Data Output LR-1BS5H Mini LiDAR Sensor

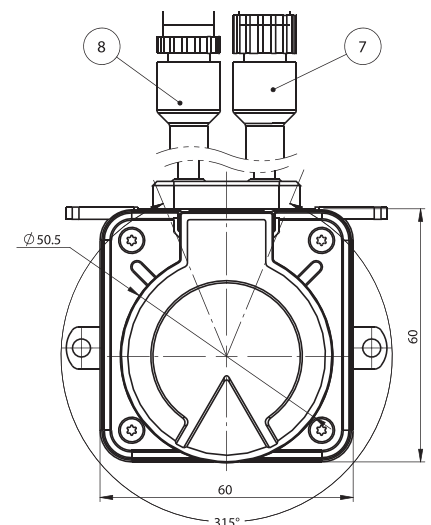
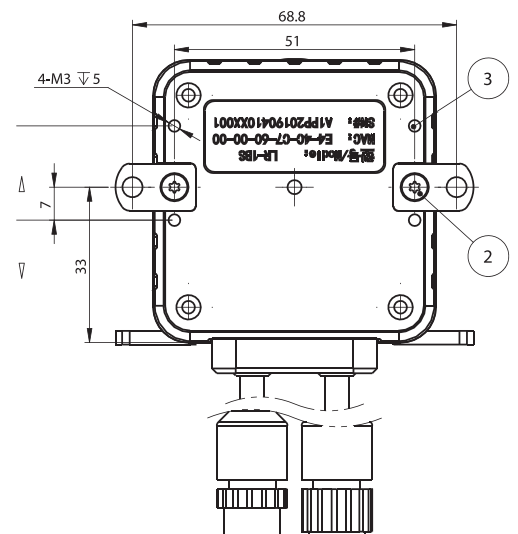
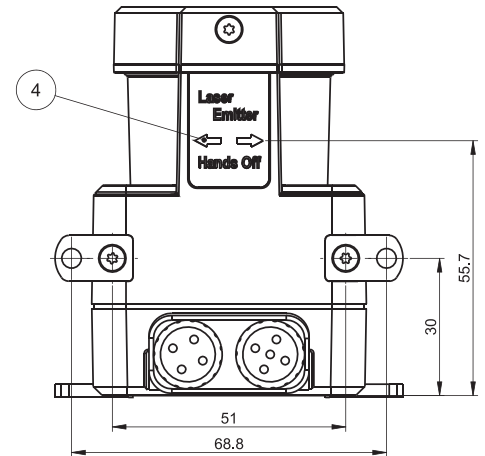


Specification table

Item	Unit	Specification
Laser wavelength	nm	905±20
Laser safety level		Class 1 (IEC 60825-1:2014)
Laser channels		1
Field of view(horizontal)	°	270
Beam divergence	mrad	longitudinal 5.8 mrad transversal 0.58 mrad
Scanning frequency	Hz	10~25
Angle resolution (horizontal)	°	0.225
Measurement range	m	0.2~2m@2% reflectivity 0.2~8m@10% reflectivity 0.2~25m@80% reflectivity 0.2~25m@reflector
Distance resolution	mm	1
Accuracy ⁽¹⁾	mm	Common targets: Absolute Accuracy: <±20mm Reactor: Absolute Accuracy: <±40mm Repeat accuracy: ≤20mm
Ethernet connection		100Mbps Ethernet
Signal strength		0-60000
scanning rate	pts	16K~40K
Connection		5Pin, M8x1, B-code, Female,2m (Power) 4Pin, M8x1, A-code, Female,2m (LAN)
Horizontal error (Horizontal angle)	°	±0.5
Switching outputs	ea	1
Mechanical dimensions	mm	60*60*85
Power consumption @25°C	w	5
Operating voltage	VDC	12~30
Weight	g	450
Degree of protection		IP66
Operating temperature	°C	-10~+50
Storage temperature	°C	-30~+70
Air humidity	RH	<95%
Indicator status		RGB*4
Ambient light limit	LUX	<80000
Mounting		Bottom/Back
EMC		IEC 61000-6-2:2016-08 / IEC 61000-6-3:2006-07
Vibration resistance		IEC 60068-2-6:2007
Shock resistance		IEC 60068-2-27:2008
Basic software		OLAMViewer / ROS driver

(1) Standard value: Actual value depends on environmental conditions

Outline and mounting



OLEI is constantly striving to improve its high-quality products, the Specification subject to change without notice.

DOC.#: DSEN-LR-1BS5H-202304

MorpheusTEK

sales@morpheustek.com
http://www.morpheustek.com
+1(302)789-0421