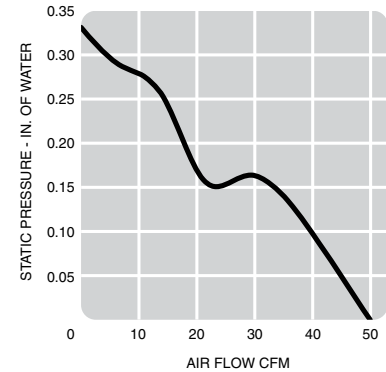
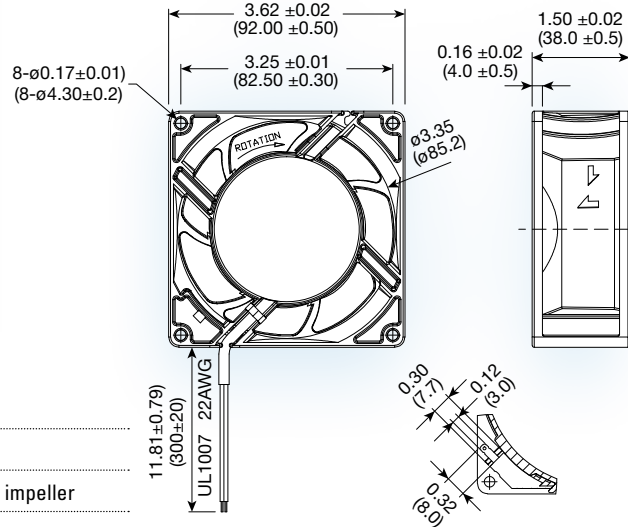




# LPT92A99 series



**(92 x 92 x 38 mm)**

3.62 x 3.62 x 1.50 inches

Operating voltage: 95 to 264 VAC

Construction: plastic frame and impeller

Bearing option: ball bearing

Motor: electronically commutated

Air flow: exhaust over struts

Connection: lead wire UL1007 22AWG  
or terminal

Protection: auto restart

Options:

- tachometer
- PWM
- encapsulated motor (IP68)
- ATEX



| Model No. | Rated Voltage<br>V | Freq.<br>HZ | Input Power<br>W | Rated Cur.<br>A | Speed<br>RPM | Air Volume           |     | Max. Static Pressure (H <sub>2</sub> O) |      | Sound Noise | Weight |
|-----------|--------------------|-------------|------------------|-----------------|--------------|----------------------|-----|---|------|-------------|--------|
|           |                    |             |                  |                 |              | M <sup>3</sup> /Min. | CFM | MM                                      | INCH | dB A        | g      |
| LPT92A99  | 115                | 50/60       | 4.8              | 0.08            | 3,850        | 1.4                  | 50  | 8.4                                     | 0.33 | 43          | 225    |
|           | 230                | 50/60       | 5.2              | 0.05            | 3,850        | 1.4                  | 50  | 8.4                                     | 0.33 | 43          | 225    |