

# Type LPR-06 In-Line Fuse Holder Automotive Blade Type



www.optifuse.com (619) 593-5050

## Specifications:

- Rating: 32VDC
- Body Material: PVC
- IP Rating: IP50
- For use with Type APR Fuse (Regular-Automotive Blade)
- Attached Protective Cap
- Standard Wire: #12 AWG – 6” – Red Color  
(Other wire sizes and colors are available as special order)
- Bracket attached to gang multiple fuse holders together

Wire Gauge	Max. Amperage
#12	30A
#16	15A

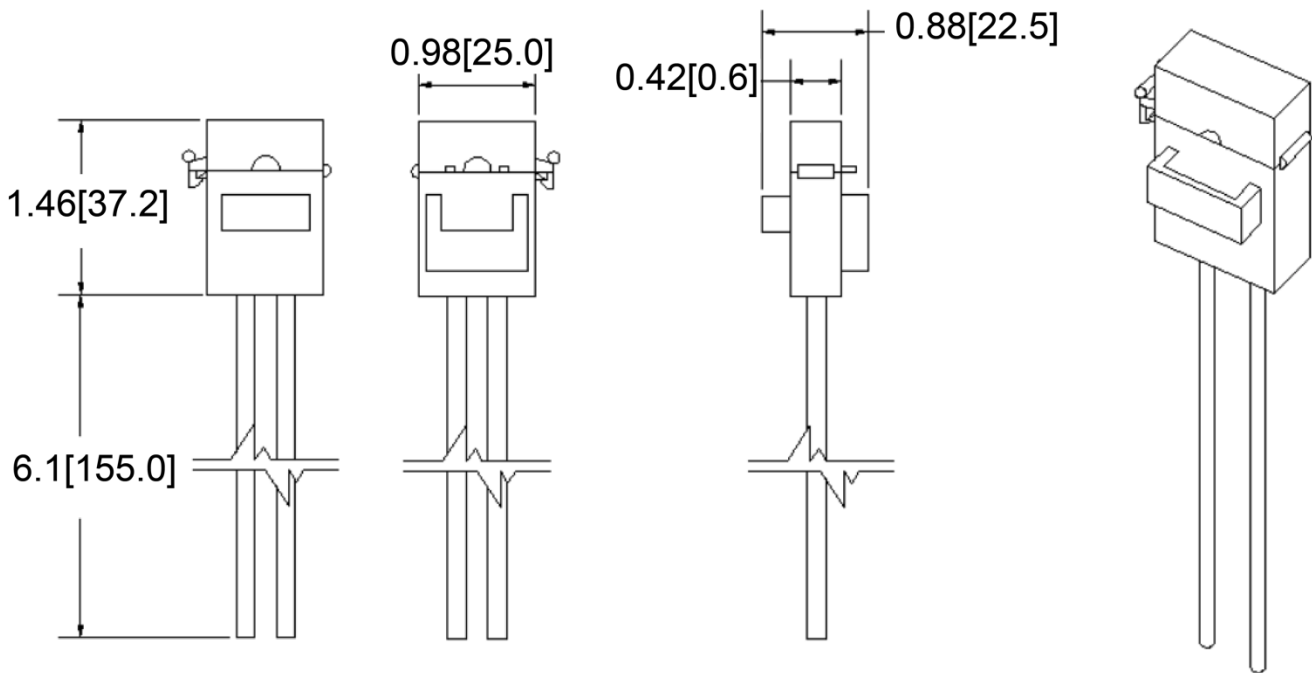
## Part number format

**LPR-06B-##R**

Where

## = Wire Gauge

## Mechanical Dimensions: Inches [mm]



## Warning:



- Operation beyond the specified maximum ratings or improper use may result in damage and possible electrical arcing and/or flame.
- Device are intended for occasional overcurrent protection. Application for repeated overcurrent condition and/or prolonged trip are not anticipated.
- Avoid contact of device with chemical solvent. Prolonged contact will damage the device performance.