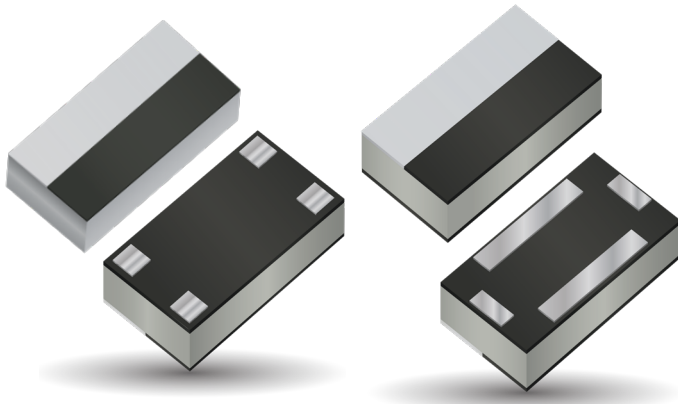


Thin-Film RF/Microwave Filters

1206 High Performance Low Pass 12W

General Information



ITF TECHNOLOGY

The ITF LGA Filter is based on thin-film multilayer technology. The technology provides a miniature part with excellent high frequency performance and rugged construction for reliable automatic assembly.

The ITF Filter is offered in a variety of frequency bands compatible with various types of high frequency wireless systems.

FEATURES

- Small size: 1206
- Frequency: 480-6000MHz
- Characteristic impedance: 50Ω
- Operating/Storage temp: -40°C to +85°C
- Low profile
- Rugged construction
- Taped and reeled
- RoHS compliant

APPLICATIONS

- Base Station
- 5G & 6G / UWB
- Mobile communications
- Satellite TV receivers
- GPS
- Vehicle location systems
- Wireless LAN's

HOW TO ORDER

LP	1206	A	XXXX	B	N	TR
Series	Size	Type	Frequency MHz	Sub-Type	Termination	Taped & Reeled

FINAL QUALITY INSPECTION

Finished parts are 100% tested for electrical parameters and visual/mechanical characteristics. Each production lot is evaluated on a sample basis for:

- Static Humidity: 85°C, 85% RH, 160 hours
- Endurance: 125°C, I_p, 4 hours



TERMINATION

Nickel/ Lead free Solder coating (Sn100) compatible with automatic soldering technologies: reflow, wave soldering, vapor phase and manual.

ELECTRICAL SPECIFICATION

Part Number	Fc [MHz]	I.L [dB] @Fc	VSWR @Fc	Rejection [dB]	Rejection [dB]
LP1206A0480ANTR	480	-1.2	1 : 1.5	-35 @700 – 2500 MHz	---
LP1206A0512BNTR	512	-0.8	1 : 2.3	-35 @ 720 - 2000 MHz	----
LP1206A0512CNTR	512	-1.5	1 : 1.5	-40 @ 678	-30 @ 700 -2500 MHz
LP1206A0600ANTR	600	-0.8	1 : 1.22	-40 @ 900 – 3100 MHz	---
LP1206A0700ANTR	700	-0.9	1 : 2.3	-35 @ 900 – 2000 MHz	----
LP1206A0720ANTR	720	-1.2	1 : 1.78	-15 @ 875 MHz	-30@ 1000 - 2500
LP1206A2000ANTR	2000	-0.7	1 : 1.66	-35 @ 4000 – 8000 MHz	----
LP1206A2500ANTR	2500	-0.7	1 : 1.66	-35 @ 5000 – 10000 MHz	-30 @ 10000 – 11000 MHz
LP1206A2700ANTR	2700	-0.7	1 : 1.66	-35 @ 5400 – 10000 MHz	-30 @ 10000 – 11500 MHz
LP1206A3000ANTR	3000	-0.7	1 : 1.66	-40 @ 6000 - 9000 MHz	-30 @ 9000 – 12000 MHz
LP1206A3200ANTR	3200	-0.7	1 : 1.66	-38 @ 6400 - 10000 MHz	-30 @ 10000 – 12800 MHz
LP1206A3300ANTR	3300	-0.7	1 : 1.66	-35 @ 6600 - 10000 MHz	-28 @ 10000 – 15000 MHz
LP1206A3500ANTR	3500	-0.7	1 : 1.66	-36 @ 6000 - 10500 MHz	-27 @ 10500 – 15000 MHz
LP1206A4200ANTR	4200	-0.5	1 : 1.66	-30 @ 6600 - 17000 MHz	----
LP1206A5000ANTR	5000	-0.7	1 : 1.43	-35 @ 9000 - 14000 MHz	-25 @ 14000 – 20000 MHz
LP1206A5200ANTR	5200	-0.7	1 : 1.43	-35 @ 9000 - 14000 MHz	-25 @ 14000 – 20000 MHz
LP1206A5500ANTR	5500	-0.7	1 : 1.43	-30 @ 9000 - 14000 MHz	-25 @ 14000 – 20000 MHz
LP1206A6000ANTR	6000	-0.6	1 : 1.22	-35 @ 8400 - 18000 MHz	---

Click part number to see full specifications



The Important Information/Disclaimer is incorporated in the catalog where these specifications came from or available online at www.kyocera-avx.com/disclaimer/ by reference and should be reviewed in full before placing any order.

Thin-Film RF/Microwave Filters

1206 High Performance Low Pass 12W

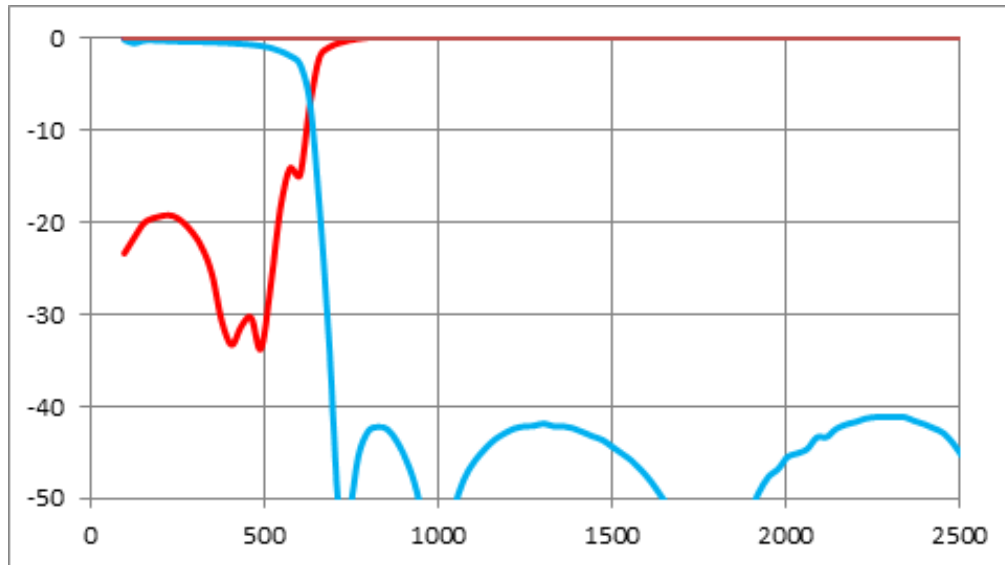
LP1206A0480ANTR – LGA Termination



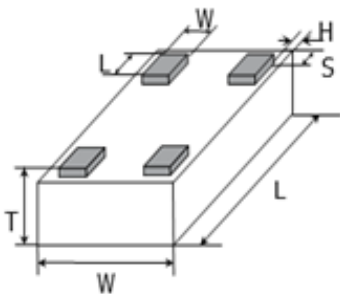
TYPICAL ELECTRICAL PERFORMANCE

Parameter	Value	Unit	Notes
Fc	480	MHz	
Insertion Loss	-1.2	dB	Max.
VSWR	1.5: 1		Max. (all ports)
Rejection	-35	dB	Min. (700MHz to 2.5GHz)
Power Handling	12	W	Continuous
Impedance	50	Ohm	
Operating Temp.	-40 to +85	°C	
Size	1206		

[Click here to return to main table.](#)



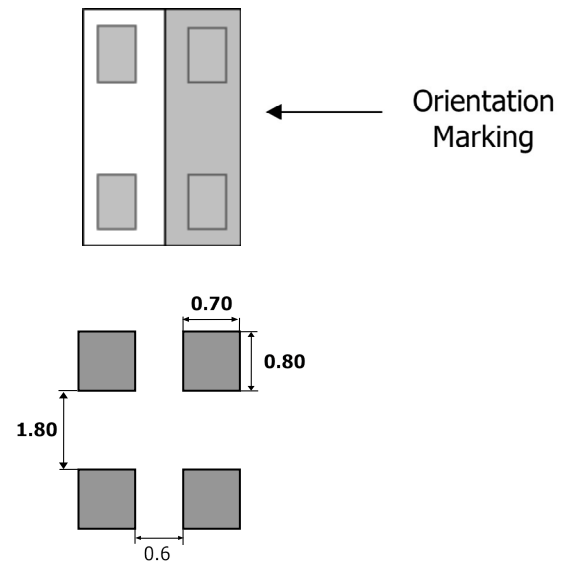
DIMENSIONS (BOTTOM VIEW)



mm (inches)

L	3.10±0.10 (0.122±0.004)
W	1.60±0.10 (0.063±0.004)
T	0.60±0.30 (0.024±0.012)
A	0.39±0.10 0.015±0.004
B	0.33±0.10 0.013±0.004
H, S	0.05±0.05 (0.002±0.002)

RECOMMENDED PAD LAYOUT AND TERMINALS (TOP VIEW)



Thin-Film RF/Microwave Filters

1206 High Performance Low Pass 12W

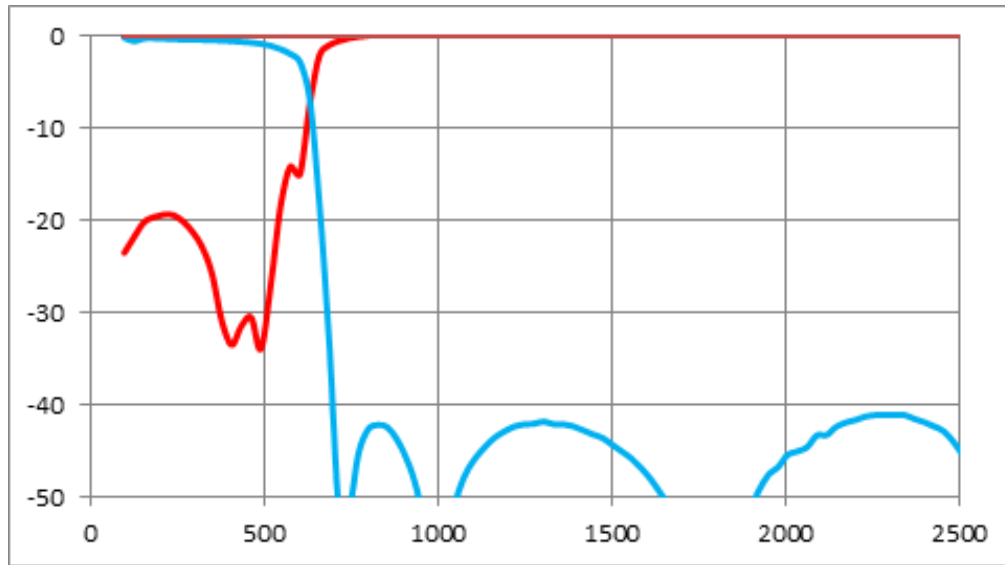
LP1206A0512BNTR – LGA Termination



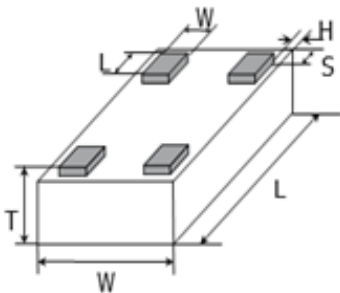
TYPICAL ELECTRICAL PERFORMANCE

Parameter	Value	Unit	Notes
Fc	512	MHz	
Insertion Loss	-0.8	dB	Max.
VSWR	2.3:1		Max. (all ports)
Rejection @ 900MHz	-35	dB	Min. (720MHz to 2GHz)
Power Handling	12	W	Continuous
Impedance	50	Ohm	
Operating Temp.	-40 to +85	°C	
Size	1206		

[Click here to return to main table.](#)



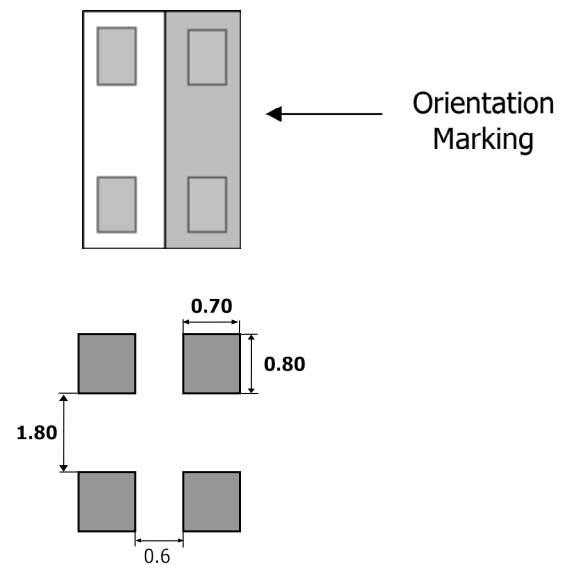
DIMENSIONS (BOTTOM VIEW)



mm (inches)

L	3.10±0.10 (0.122±0.004)
W	1.60±0.10 (0.063±0.004)
T	0.60±0.30 (0.024±0.012)
A	0.39±0.10 0.015±0.004
B	0.33±0.10 0.013±0.004
H, S	0.05±0.05 (0.002±0.002)

RECOMMENDED PAD LAYOUT AND TERMINALS (TOP VIEW)



Thin-Film RF/Microwave Filters

1206 Harmonic Low Pass Filter

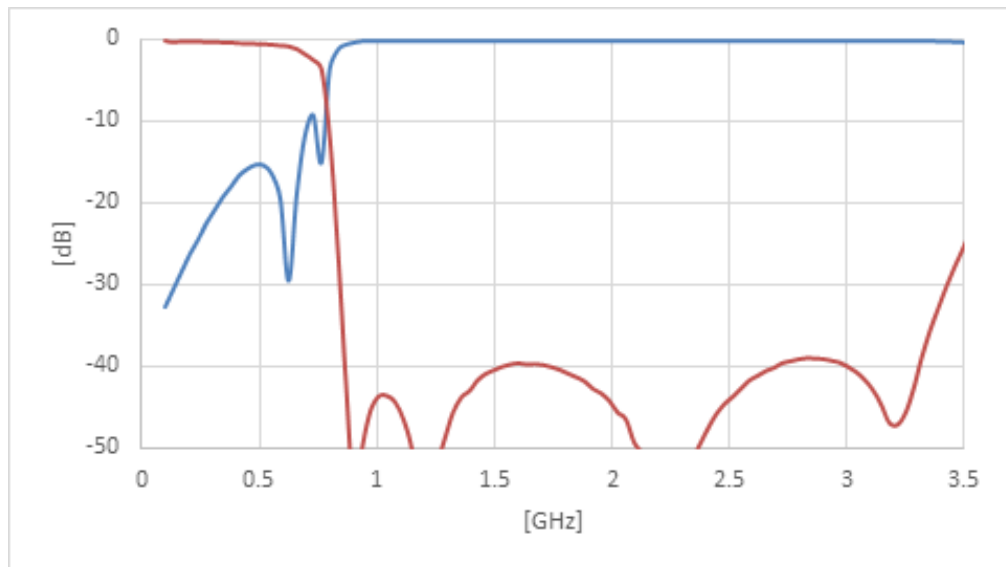
LP1206A0512CNTR – LGA Termination



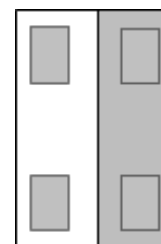
TYPICAL ELECTRICAL PERFORMANCE

Parameter	Value	Unit	Notes
Fc	512	MHz	
Insertion Loss	-1.5	dB	Max.
VSWR	2.3:1		Max. (all ports)
Rejection @ 678MHz	-40	dB	Min.
Rejection @ 700 - 2500 MHz	-35	dB	
Power Handling	12	W	Continuous
Impedance	50	Ohm	
Operating Temp.	-40 to +85	°C	
Size	1206		

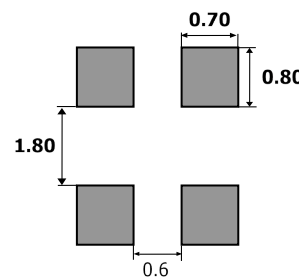
[Click here to return to main table.](#)



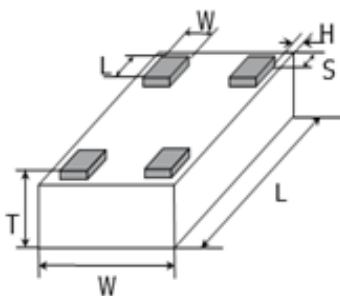
RECOMMENDED PAD LAYOUT AND TERMINALS (TOP VIEW)



Orientation Marking



DIMENSIONS (BOTTOM VIEW)



mm (inches)

L	3.10±0.10 (0.122±0.004)
W	1.60±0.10 (0.063±0.004)
T	0.60±0.30 (0.024±0.012)
A	0.39±0.10 (0.015±0.004)
B	0.33±0.10 (0.013±0.004)
H, S	0.05±0.05 (0.002±0.002)

Thin-Film RF/Microwave Filters

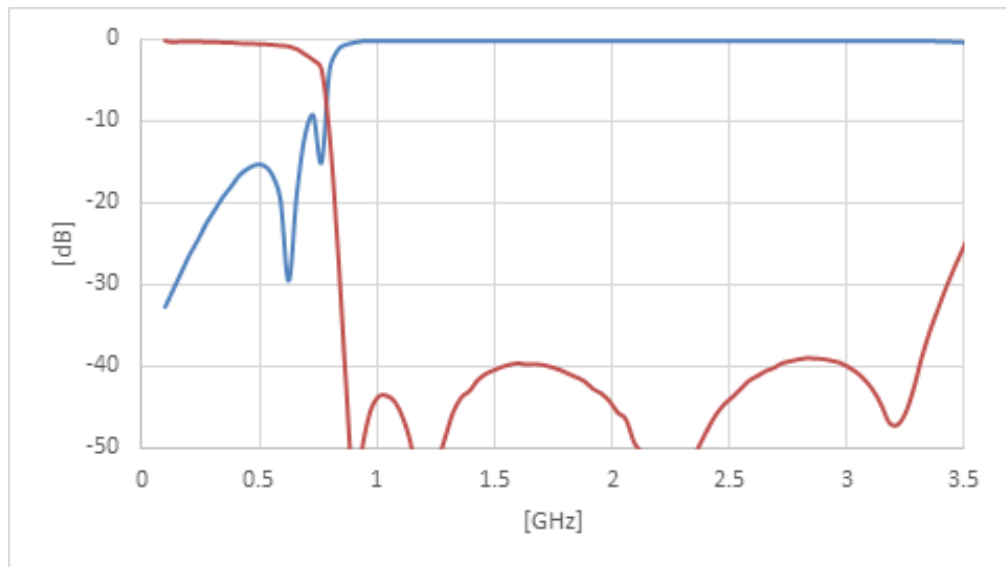
1206 High Performance Low Pass 12W

LP1206A0600ANTR – LGA Termination

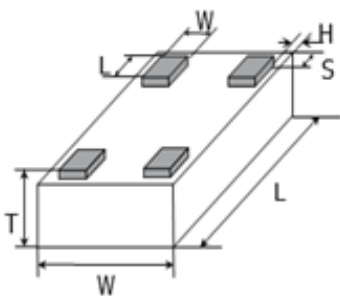
TYPICAL ELECTRICAL PERFORMANCE

Parameter	Value	Unit	Notes
Fc	600	MHz	
Insertion Loss	-0.8	dB	Max.
VSWR	1.22:1		Max. (all ports)
Rejection	-40	dB	Typ. (900MHz to 3GHz)
Power Handling	12	W	Continuous
Impedance	50	Ohm	
Operating Temp.	-40 to +85	°C	
Size	1206		

[Click here to return to main table.](#)



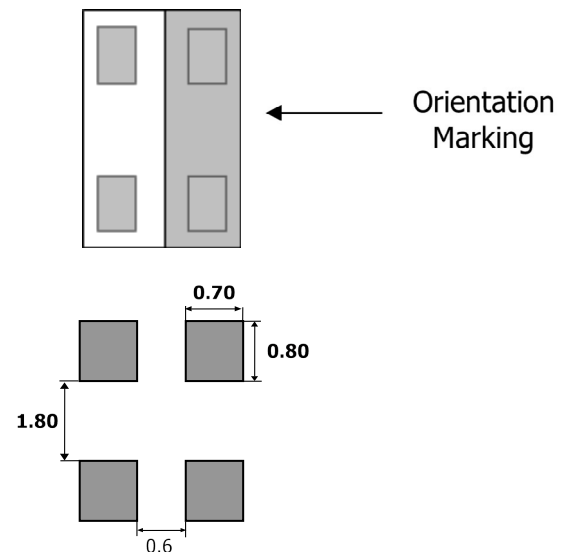
DIMENSIONS (BOTTOM VIEW)



mm (inches)

L	3.10±0.10 (0.122±0.004)
W	1.60±0.10 (0.063±0.004)
T	0.60±0.30 (0.024±0.012)
A	0.39±0.10 (0.015±0.004)
B	0.33±0.10 (0.013±0.004)
H, S	0.05±0.05 (0.002±0.002)

RECOMMENDED PAD LAYOUT AND TERMINALS (TOP VIEW)



Thin-Film RF/Microwave Filters

1206 High Performance Low Pass 12W

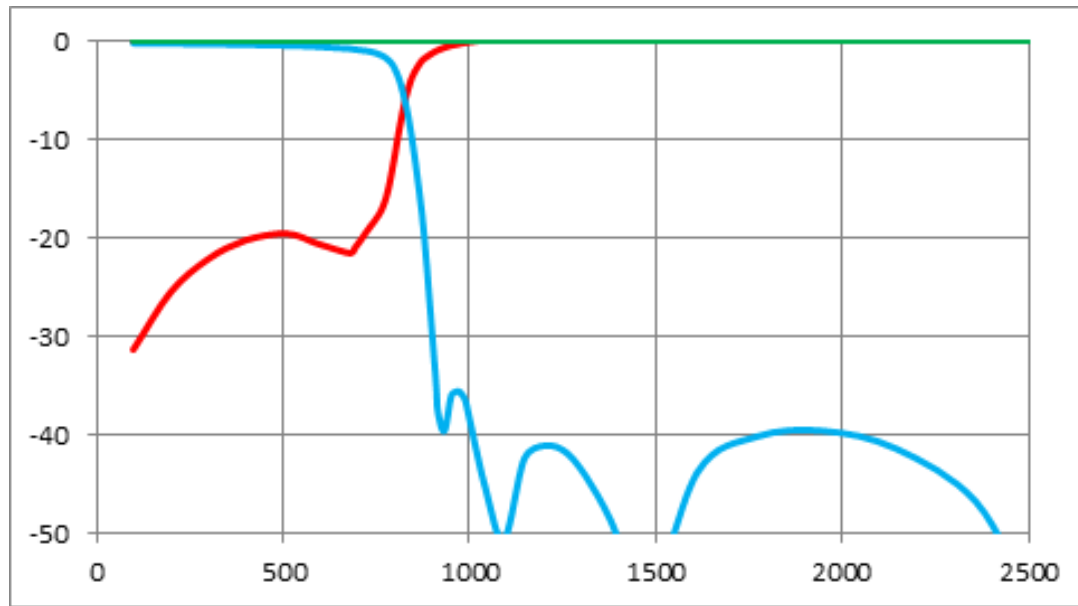
LP1206A0700ANTR – LGA Termination



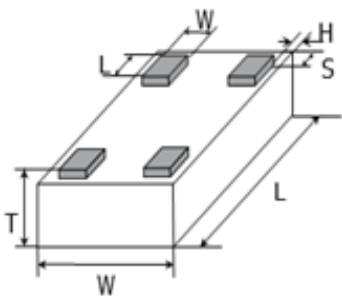
TYPICAL ELECTRICAL PERFORMANCE

Parameter	Value	Unit	Notes
Fc	700	MHz	
Rejection @ 900MHz	-35	dB	Min. (900MHz to 2GHz)
Insertion Loss	0.9	dB	Max.
VSWR	2.3:1		Max. (all ports)
Power Handling	12	W	Continuous
Impedance	50	Ohm	
Operating Temp.	-40 to +85	°C	
Size	1206		

[Click here to return to main table.](#)



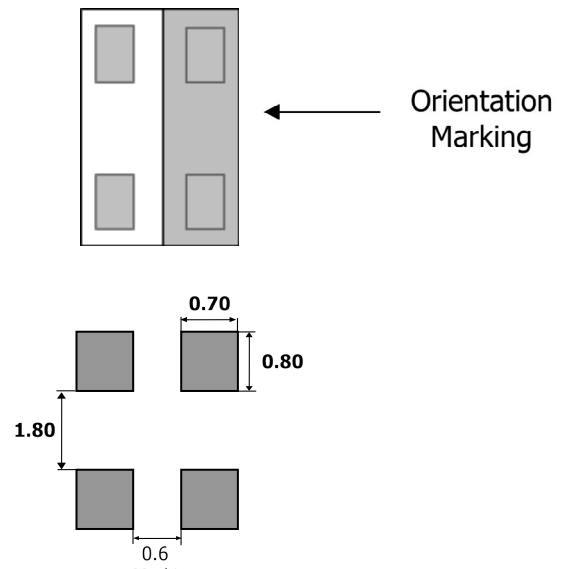
DIMENSIONS (BOTTOM VIEW)



mm (inches)

L	3.10±0.10 (0.122±0.004)
W	1.60±0.10 (0.063±0.004)
T	0.60±0.30 (0.024±0.012)
A	0.39±0.10 0.015±0.004
B	0.33±0.10 0.013±0.004
H, S	0.05±0.05 (0.002±0.002)

RECOMMENDED PAD LAYOUT AND TERMINALS (TOP VIEW)



Thin-Film RF/Microwave Filters

1206 High Performance Low Pass 12W

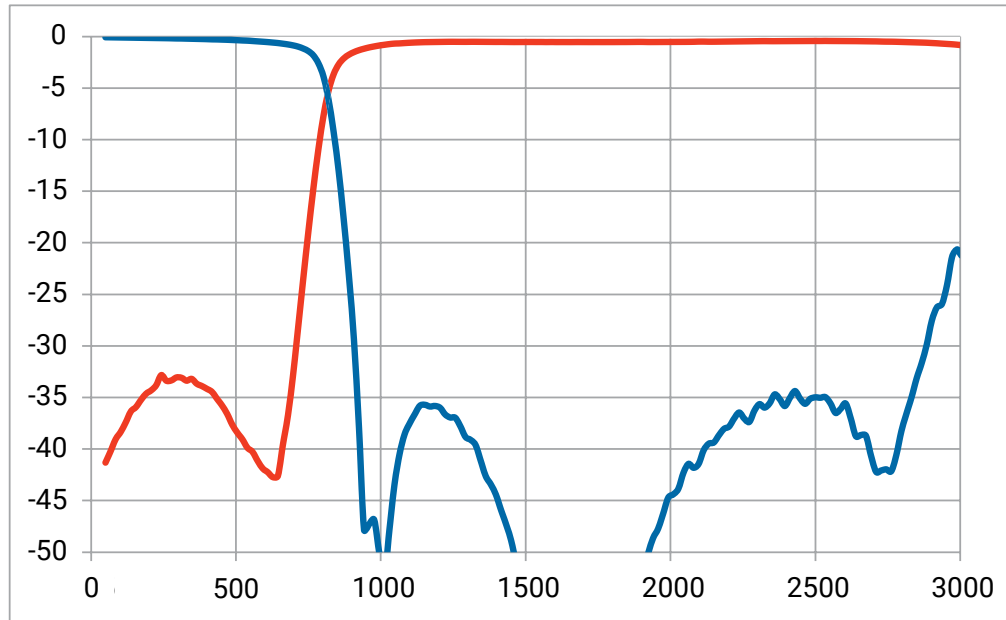
LP1206A0720ANTR – LGA Termination



TYPICAL ELECTRICAL PERFORMANCE

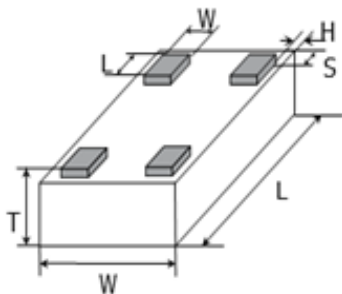
Parameter	Value	Unit	Notes
Fc	720	MHz	
Insertion Loss	-1.2	dB	Max.
VSWR	1.49 : 1		Max. (all ports)
Rejection	-15	dB	Typ. (875 MHz to 2.5GHz)
Power Handling	12	W	Continuous
Impedance	50	Ohm	
Operating Temp.	-40 to +85	°C	
Size	1206		

[Click here to return to main table.](#)



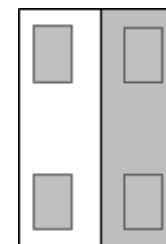
RECOMMENDED PAD LAYOUT AND TERMINALS (TOP VIEW)

DIMENSIONS (BOTTOM VIEW)

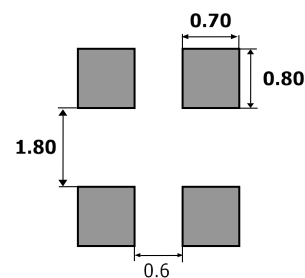


mm (inches)

L	3.10±0.10 (0.122±0.004)
W	1.60±0.10 (0.063±0.004)
T	0.60±0.30 (0.024±0.012)
A	0.39±0.10 (0.015±0.004)
B	0.33±0.10 (0.013±0.004)
H, S	0.05±0.05 (0.002±0.002)



Orientation Marking



Thin-Film RF/Microwave Filters

High Performance Low Pass Filters

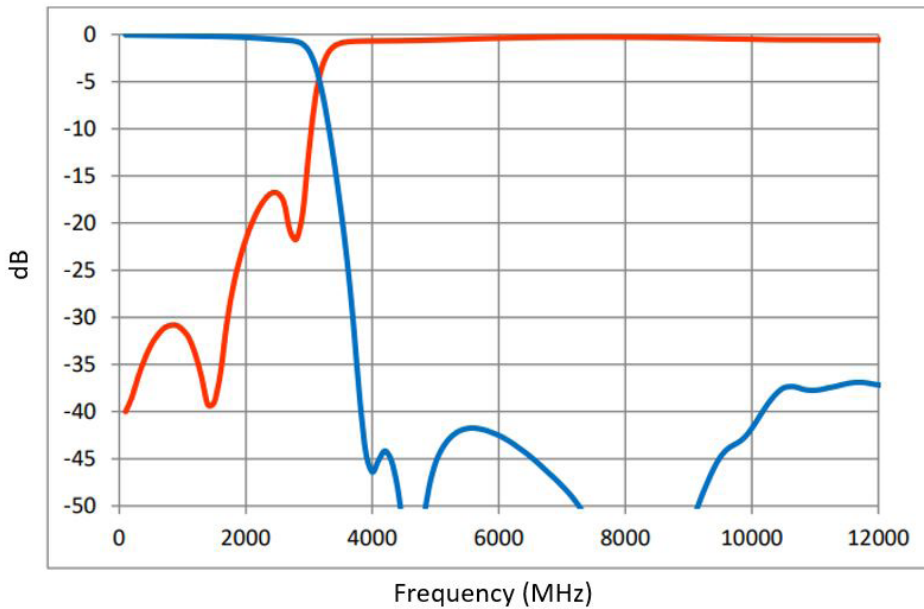
LP1206A2000ANTR – LGA Termination



TYPICAL ELECTRICAL PERFORMANCE

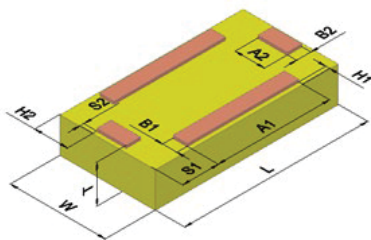
Parameter	Value	Unit	Notes
Fc	2000	MHz	
Insertion Loss	-0.7	dB	Max.
VSWR	1.66 : 1		Max. (all ports)
Rejection	-35	dB	Typ. (4.0 – 8.0 GHz)
Power Handling	12	W	Continuous
Impedance	50	Ohm	
Operating Temp.	-40 to +85	°C	
Size	1206		

[Click here to return to main table.](#)



DIMENSIONS: mm (inches)

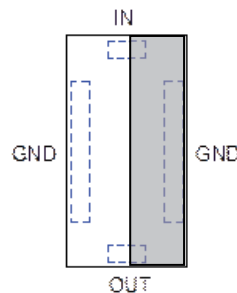
(Bottom View)



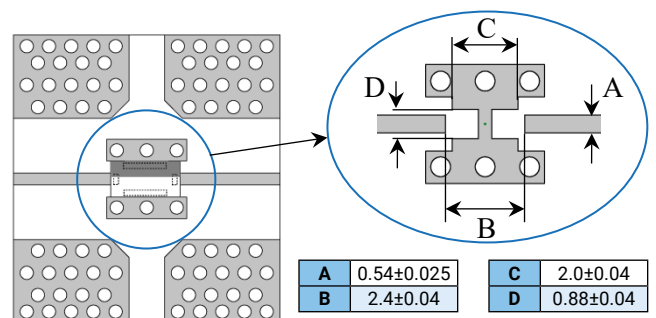
L	3.1±0.1	B1,B2	0.25±0.1
W	1.6±0.1	H1	0.06±0.06
T	0.6±0.3	H2	0.56±0.10
A1	1.9±0.1	S1	0.61±0.1
A2	0.5±0.1	S2	0.06±0.06

TERMINALS:

(Top View)



RECOMMENDED PAD LAYOUT: (mm)



A	0.54±0.025	C	2.0±0.04
B	2.4±0.04	D	0.88±0.04

Thin-Film RF/Microwave Filters

High Performance Low Pass Filters

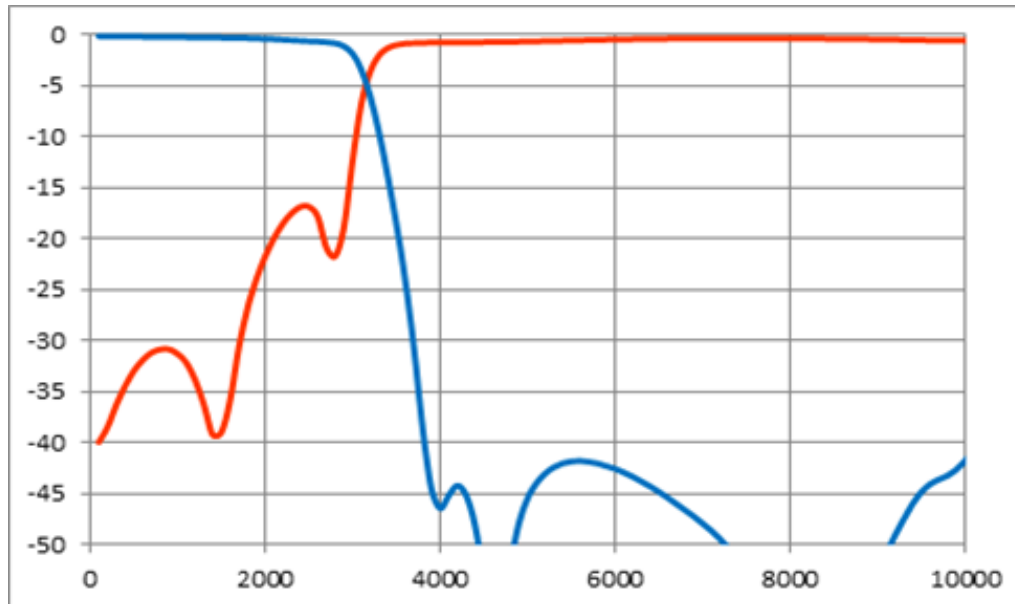
LP1206A2500ANTR – LGA Termination



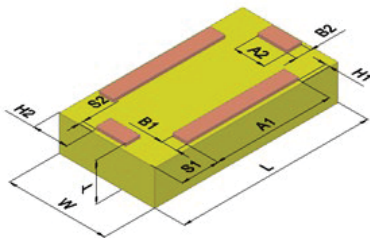
TYPICAL ELECTRICAL PERFORMANCE

Parameter	Value	Unit	Notes
Fc	2500	MHz	
Insertion Loss	-0.7	dB	Max.
VSWR	1.66 : 1		Max. (all ports)
Rejection	-35	dB	Typ. (5.0 – 10.0 GHz)
Power Handling	12	W	Continuous
Impedance	50	Ohm	
Operating Temp.	-40 to +85	°C	
Size	1206		

[Click here to return to main table.](#)

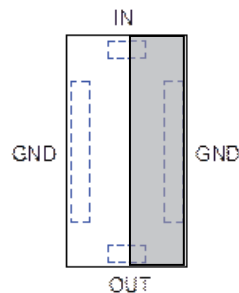


DIMENSIONS: mm (inches) (Bottom View)

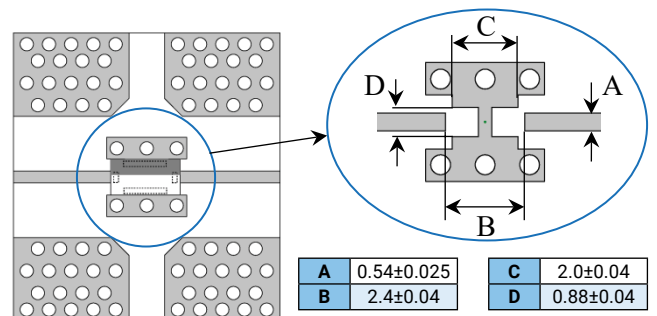


L	3.1±0.1	B1,B2	0.25±0.1
W	1.6±0.1	H1	0.06±0.06
T	0.6±0.3	H2	0.56±0.10
A1	1.9±0.1	S1	0.61±0.1
A2	0.5±0.1	S2	0.06±0.06

TERMINALS: (Top View)



RECOMMENDED PAD LAYOUT: (mm)



Thin-Film RF/Microwave Filters

High Performance Low Pass Filters

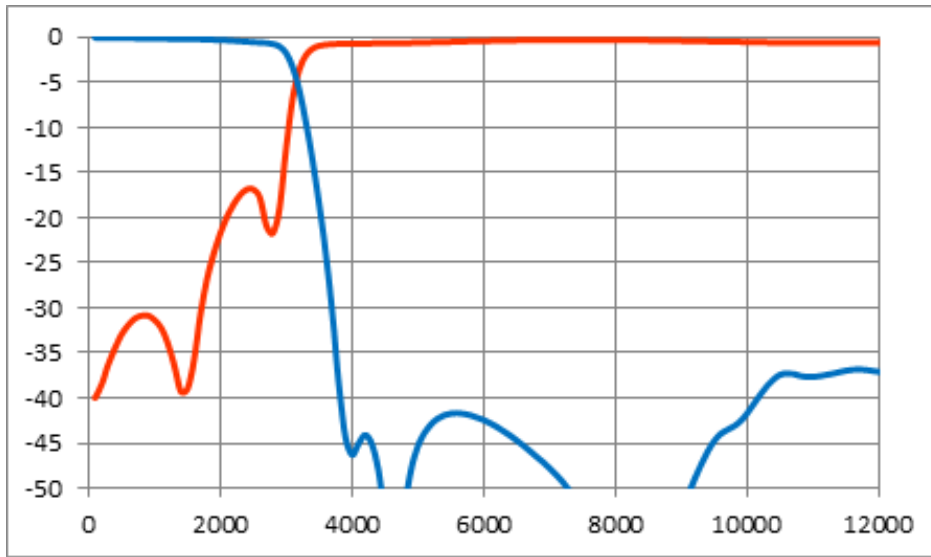
LP1206A2700ANTR – LGA Termination



TYPICAL ELECTRICAL PERFORMANCE

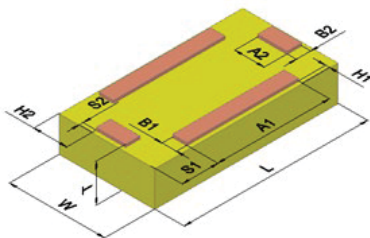
Parameter	Value	Unit	Notes
Fc	2700	MHz	
Insertion Loss	-0.85	dB	Max.
VSWR	1.66 : 1		Max. (all ports)
Rejection	-35	dB	Typ. (5.4 – 10.0 GHz)
Rejection	-30	dB	Typ. (10.0 – 11.5 GHz)
Power Handling	12	W	Continuous
Impedance	50	Ohm	
Operating Temp.	-40 to +85	°C	
Size	1206		

Click here to return to main table.



DIMENSIONS: mm (inches)

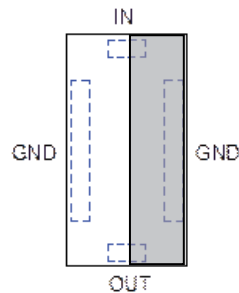
(Bottom View)



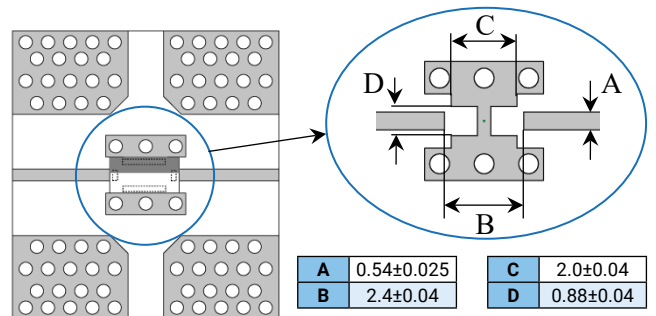
L	3.1±0.1	B1,B2	0.25±0.1
W	1.6±0.1	H1	0.06±0.06
T	0.6±0.3	H2	0.56±0.10
A1	1.9±0.1	S1	0.61±0.1
A2	0.5±0.1	S2	0.06±0.06

TERMINALS:

(Top View)



RECOMMENDED PAD LAYOUT: (mm)



A	0.54±0.025	C	2.0±0.04
B	2.4±0.04	D	0.88±0.04

Thin-Film RF/Microwave Filters

High Performance Low Pass Filters

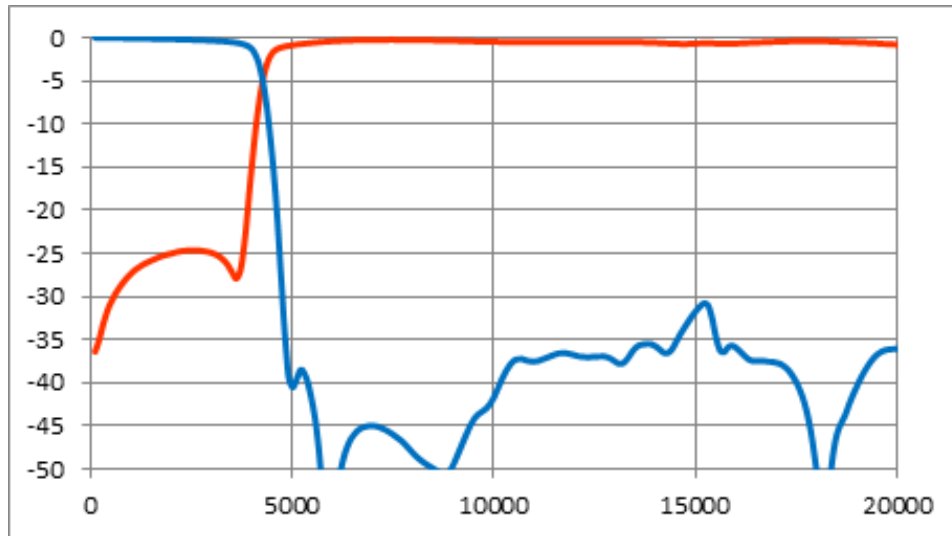
LP1206A3000ANTR – LGA Termination



TYPICAL ELECTRICAL PERFORMANCE

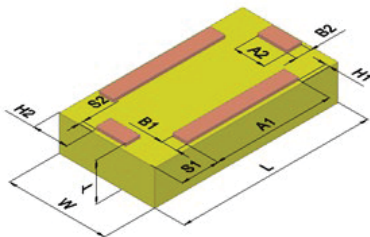
Parameter	Value	Unit	Notes
Fc	3000	MHz	
Insertion Loss	-0.7	dB	Max.
VSWR	1.66 : 1		Max. (all ports)
Rejection	-40	dB	Typ. (6.0 – 9.0 GHz)
Rejection	-30	dB	Typ. (9.0 – 12.0 GHz)
Power Handling	12	W	Continuous
Impedance	50	Ohm	
Operating Temp.	-40 to +85	°C	
Size	1206		

[Click here to return to main table.](#)



DIMENSIONS: mm (inches)

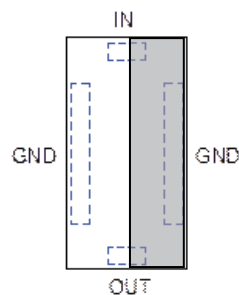
(Bottom View)



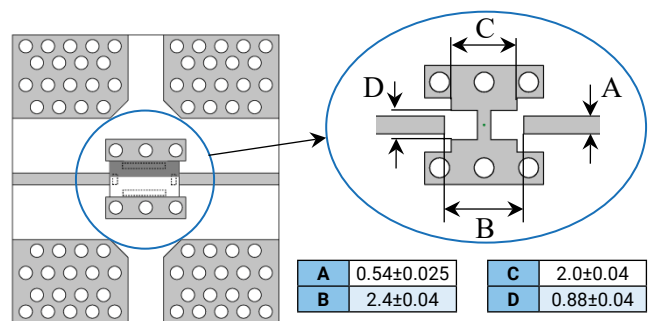
L	3.1±0.1	B1,B2	0.25±0.1
W	1.6±0.1	H1	0.06±0.06
T	0.6±0.3	H2	0.56±0.10
A1	1.9±0.1	S1	0.61±0.1
A2	0.5±0.1	S2	0.06±0.06

TERMINALS:

(Top View)



RECOMMENDED PAD LAYOUT: (mm)



A	0.54±0.025	C	2.0±0.04
B	2.4±0.04	D	0.88±0.04

Thin-Film RF/Microwave Filters

High Performance Low Pass Filters

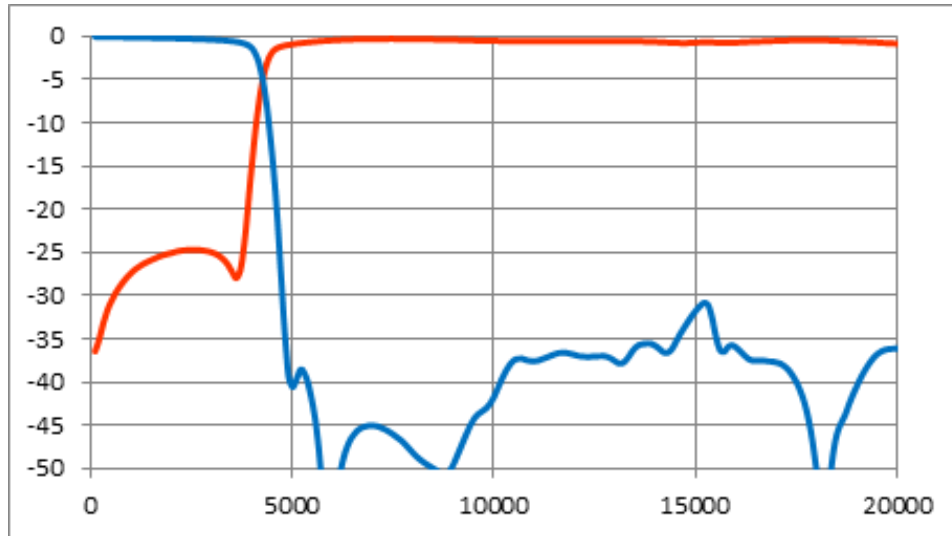
LP1206A3200ANTR – LGA Termination



TYPICAL ELECTRICAL PERFORMANCE

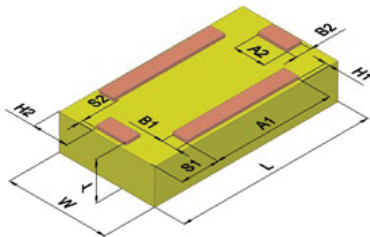
Parameter	Value	Unit	Notes
Fc	3200	MHz	
Insertion Loss	-0.7	dB	Max.
VSWR	1.66 : 1		Max. (all ports)
Rejection	-38	dB	Typ. (6.4 – 10.0 GHz)
Rejection	-30	dB	Typ. (10.0 – 12.8 GHz)
Power Handling	12	W	Continuous
Impedance	50	Ohm	
Operating Temp.	-40 to +85	°C	
Size	1206		

[Click here to return to main table.](#)



DIMENSIONS: mm (inches)

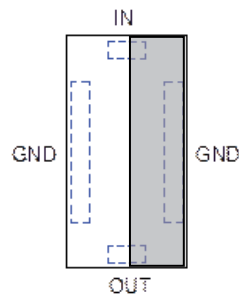
(Bottom View)



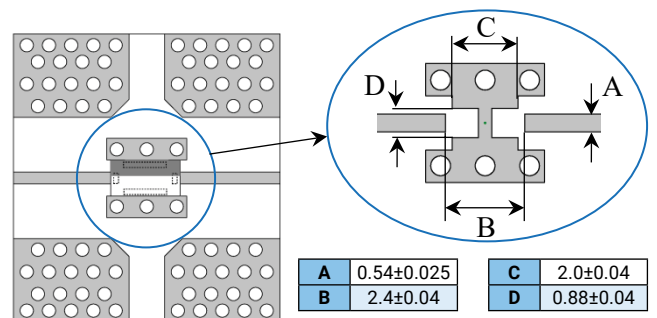
L	3.1±0.1	B1,B2	0.25±0.1
W	1.6±0.1	H1	0.06±0.06
T	0.6±0.3	H2	0.56±0.10
A1	1.9±0.1	S1	0.61±0.1
A2	0.5±0.1	S2	0.06±0.06

TERMINALS:

(Top View)



RECOMMENDED PAD LAYOUT: (mm)



Thin-Film RF/Microwave Filters

High Performance Low Pass Filters

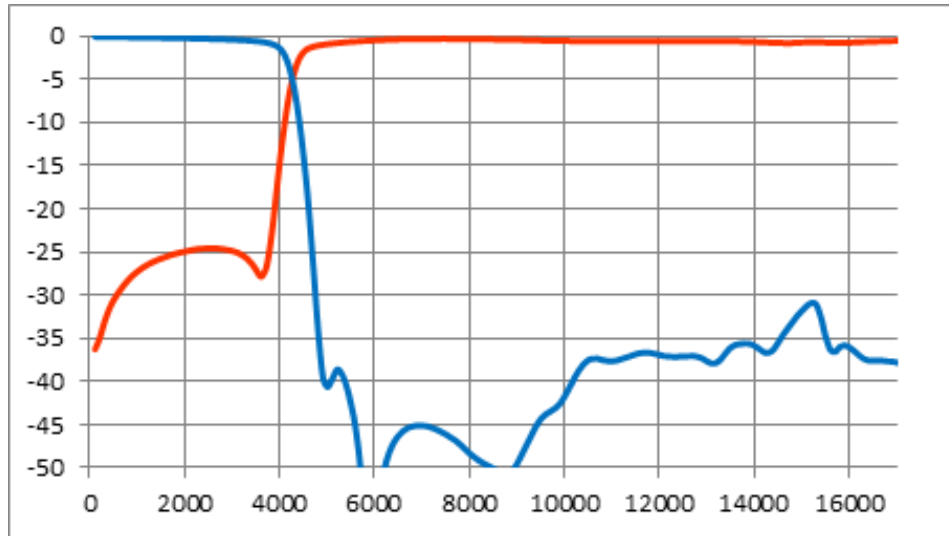
LP1206A3300ANTR – LGA Termination



TYPICAL ELECTRICAL PERFORMANCE

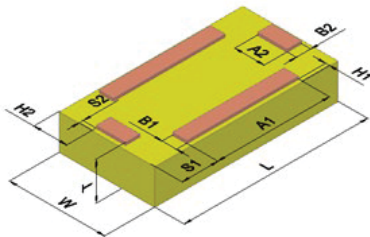
Parameter	Value	Unit	Notes
Fc	3300	MHz	
Insertion Loss	-0.7	dB	Max.
VSWR	1.66 : 1		Max. (all ports)
Rejection	-38	dB	Typ. (6.4 – 10.0 GHz)
Rejection	-30	dB	Typ. (10.0 – 12.8 GHz)
Power Handling	12	W	Continuous
Impedance	50	Ohm	
Operating Temp.	-40 to +85	°C	
Size	1206		

[Click here to return to main table.](#)



DIMENSIONS: mm (inches)

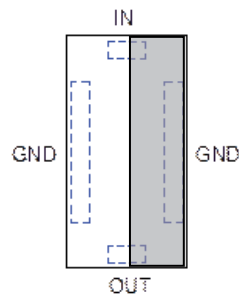
(Bottom View)



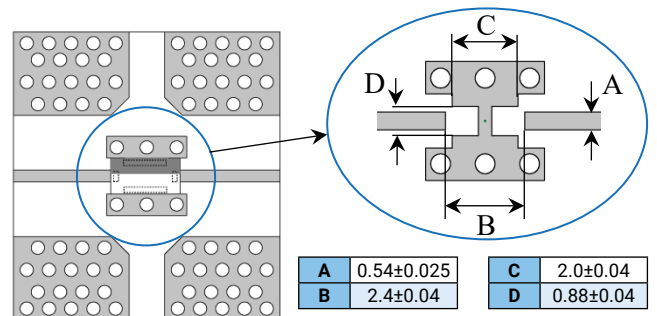
L	3.1±0.1	B1,B2	0.25±0.1
W	1.6±0.1	H1	0.06±0.06
T	0.6±0.3	H2	0.56±0.10
A1	1.9±0.1	S1	0.61±0.1
A2	0.5±0.1	S2	0.06±0.06

TERMINALS:

(Top View)



RECOMMENDED PAD LAYOUT: (mm)



Thin-Film RF/Microwave Filters

High Performance Low Pass Filters

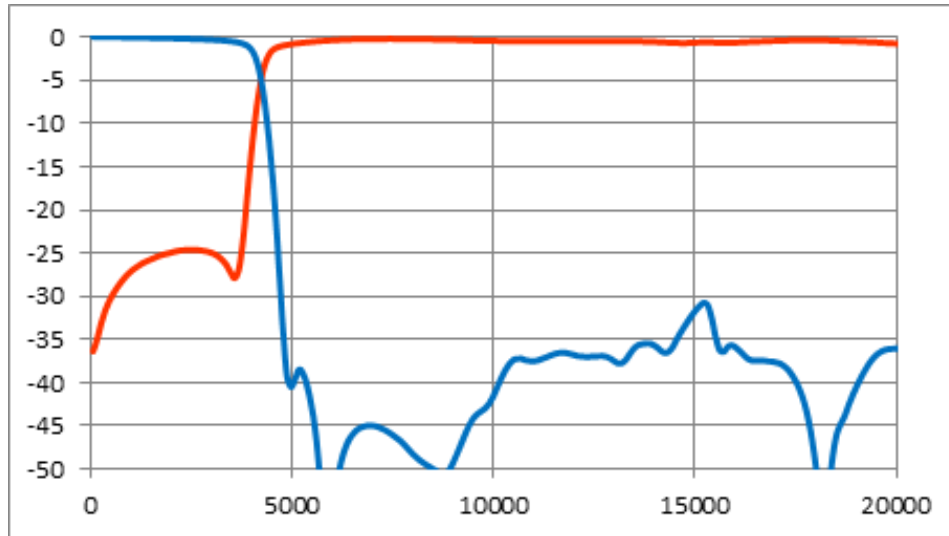
LP1206A3500ANTR – LGA Termination



TYPICAL ELECTRICAL PERFORMANCE

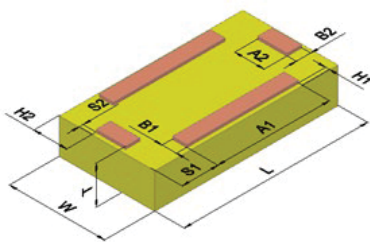
Parameter	Value	Unit	Notes
Fc	3500	MHz	
Insertion Loss	-0.7	dB	Max.
VSWR	1.66 : 1		Max. (all ports)
Rejection	-38	dB	Typ. (6.0 – 10.5 GHz)
Rejection	-30	dB	Typ. (10.5 – 15 GHz)
Power Handling	12	W	Continuous
Impedance	50	Ohm	
Operating Temp.	-40 to +85	°C	
Size	1206		

[Click here to return to main table.](#)



DIMENSIONS: mm (inches)

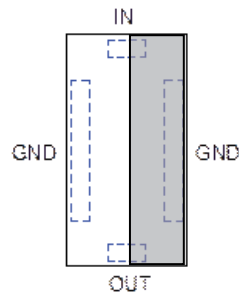
(Bottom View)



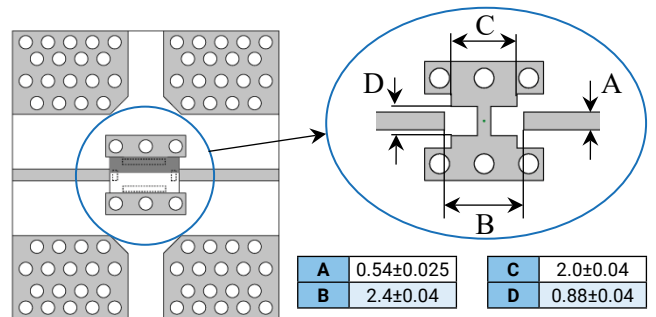
L	3.1±0.1	B1,B2	0.25±0.1
W	1.6±0.1	H1	0.06±0.06
T	0.6±0.3	H2	0.56±0.10
A1	1.9±0.1	S1	0.61±0.1
A2	0.5±0.1	S2	0.06±0.06

TERMINALS:

(Top View)



RECOMMENDED PAD LAYOUT: (mm)



Thin-Film RF/Microwave Filters

1206 High Performance Low Pass 12W

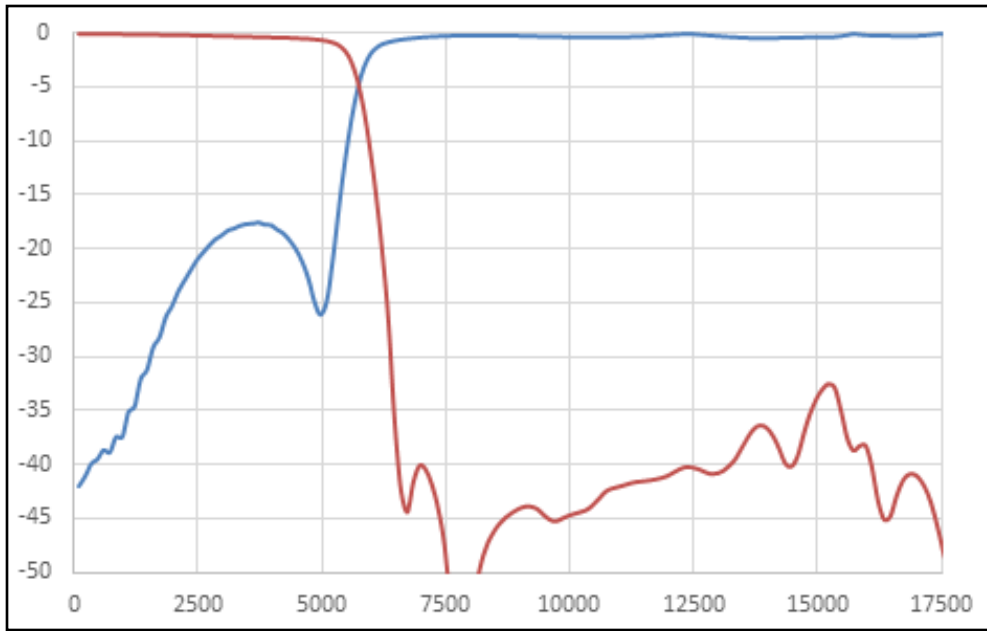
LP1206A4200ANTR – LGA Termination



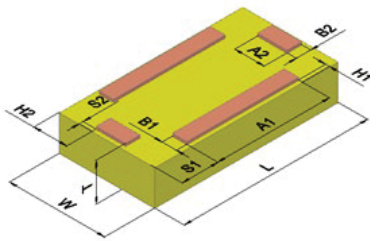
TYPICAL ELECTRICAL PERFORMANCE

Parameter	Value	Unit	Notes
Fc	4200	MHz	
Insertion Loss	-0.5	dB	Max.
VSWR	1.66 : 1		Max. (all ports)
Rejection	-30	dB	Typ. (6.6 - 17 GHz)
Power Handling	12	W	Continuous
Impedance	50	Ohm	
Operating Temp.	-40 to +85	°C	
Size	1206		

[Click here to return to main table.](#)

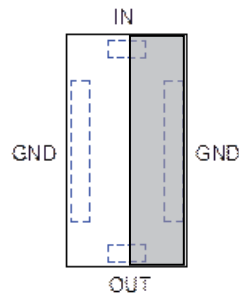


DIMENSIONS: mm (inches) (Bottom View)

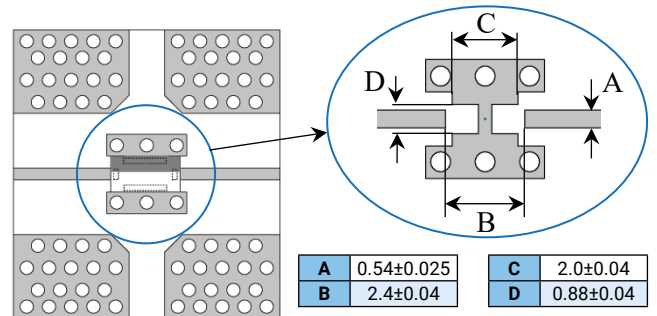


L	3.1±0.1	B1,B2	0.25±0.1
W	1.6±0.1	H1	0.06±0.06
T	0.6±0.3	H2	0.56±0.10
A1	1.9±0.1	S1	0.61±0.1
A2	0.5±0.1	S2	0.06±0.06

TERMINALS: (Top View)



RECOMMENDED PAD LAYOUT: (mm)



A	0.54±0.025	C	2.0±0.04
B	2.4±0.04	D	0.88±0.04

Thin-Film RF/Microwave Filters

1206 High Performance Low Pass 12W

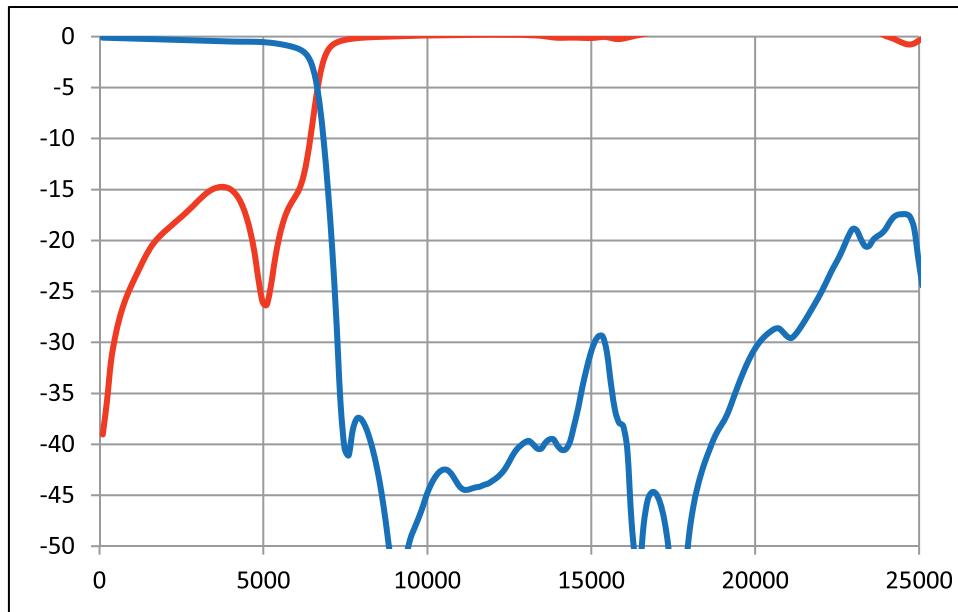
LP1206A5000ANTR – LGA Termination



TYPICAL ELECTRICAL PERFORMANCE

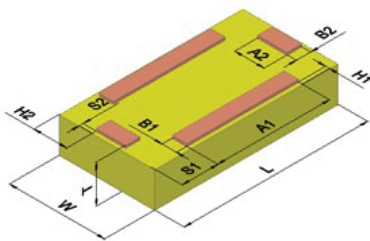
Parameter	Value	Unit	Notes
Fc	5000	MHz	
Insertion Loss	-0.7	dB	
R. Loss 0-5GHz	-15	dB	
Rejection	-35	dB	Min. 9.0 - 14.0 GHz
Rejection	-25	dB	Min. 14.0 - 20.0
Power Handling	12	W	RF Continuous
Impedance	50	Ohm	
Operating Temp.	-40 to +85	°C	
Size	1206		

[Click here to return to main table.](#)



DIMENSIONS: mm (inches)

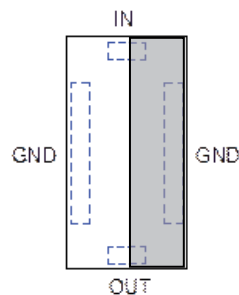
(Bottom View)



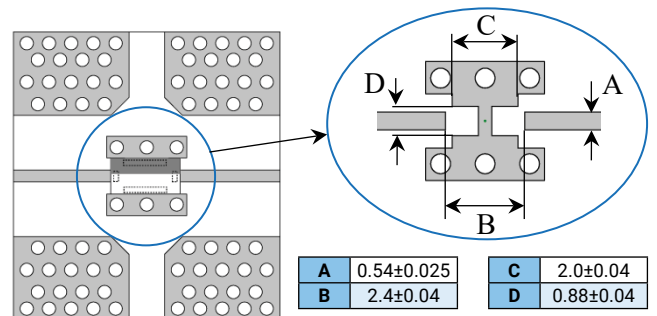
L	3.1±0.1	B1,B2	0.25±0.1
W	1.6±0.1	H1	0.06±0.06
T	0.6±0.3	H2	0.56±0.10
A1	1.9±0.1	S1	0.61±0.1
A2	0.5±0.1	S2	0.06±0.06

TERMINALS:

(Top View)



RECOMMENDED PAD LAYOUT: (mm)



A	0.54±0.025	C	2.0±0.04
B	2.4±0.04	D	0.88±0.04

Thin-Film RF/Microwave Filters

1206 High Performance Low Pass 12W

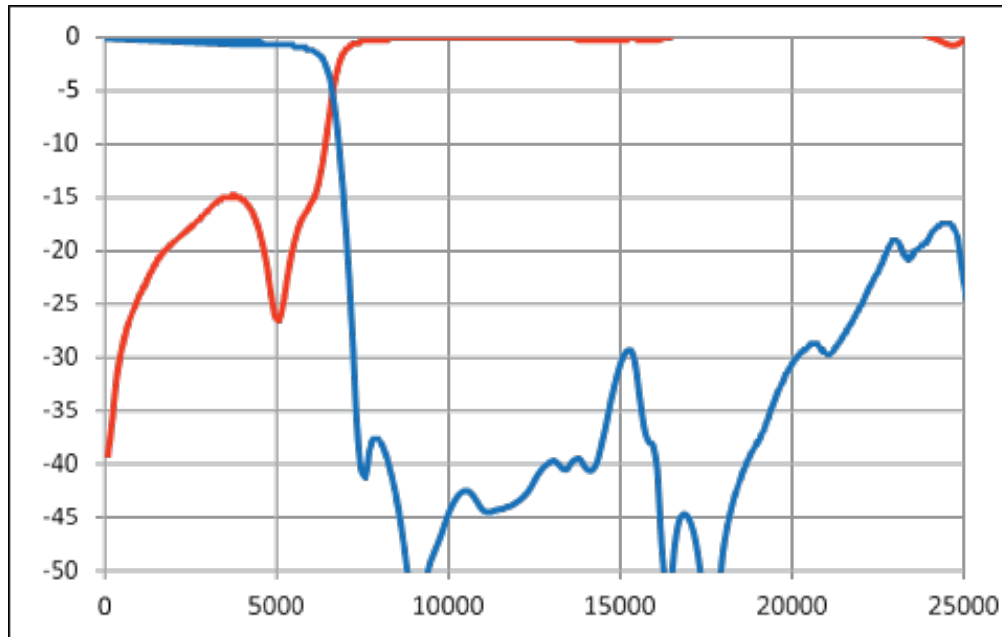
LP1206A5200ANTR – LGA Termination



TYPICAL ELECTRICAL PERFORMANCE

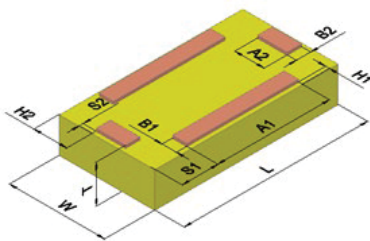
Parameter	Value	Unit	Notes
Fc	5200	MHz	
Insertion Loss	-0.75	dB	
R. Loss 0-5GHz	-15	dB	
Rejection	-35	dB	Min. 8.0 - 14.0 GHz
Rejection	-25	dB	Min. 14.0 - 20.0
Power Handling	12	W	RF Continuous
Impedance	50	Ohm	
Operating Temp.	-40 to +85	°C	
Size	1206		

[Click here to return to main table.](#)



DIMENSIONS: mm (inches)

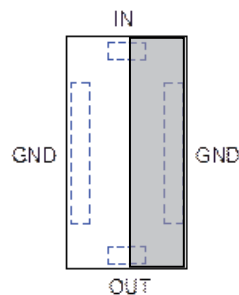
(Bottom View)



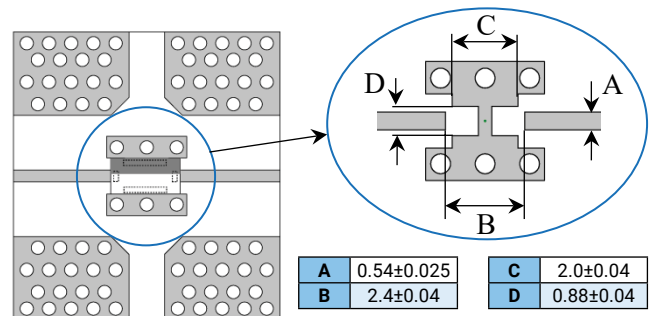
L	3.1±0.1	B1,B2	0.25±0.1
W	1.6±0.1	H1	0.06±0.06
T	0.6±0.3	H2	0.56±0.10
A1	1.9±0.1	S1	0.61±0.1
A2	0.5±0.1	S2	0.06±0.06

TERMINALS:

(Top View)



RECOMMENDED PAD LAYOUT: (mm)



A	0.54±0.025	C	2.0±0.04
B	2.4±0.04	D	0.88±0.04

Thin-Film RF/Microwave Filters

1206 High Performance Low Pass 12W

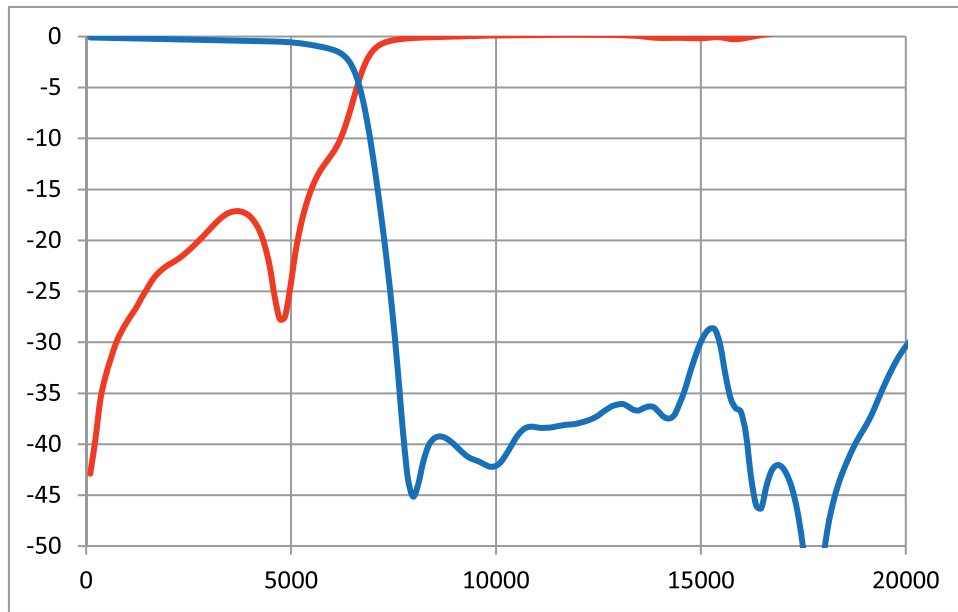
LP1206A5500ANTR – LGA Termination



TYPICAL ELECTRICAL PERFORMANCE

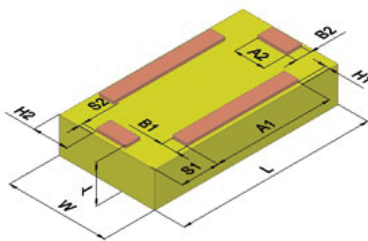
Parameter	Value	Unit	Notes
Fc	5500	MHz	
Insertion Loss	-1.0	dB	
R. Loss 0-5GHz	-12	dB	
Rejection	-30	dB	Min. 9.0 - 14.0 GHz
Rejection	-27	dB	Min. 14.0 - 20.0 GHz
Power Handling	12	W	RF Continuous
Impedance	50	Ohm	
Operating Temp.	-40 to +85	°C	
Size			1206

[Click here to return to main table.](#)



DIMENSIONS: mm (inches)

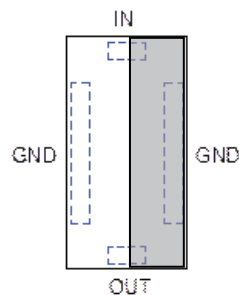
(Bottom View)



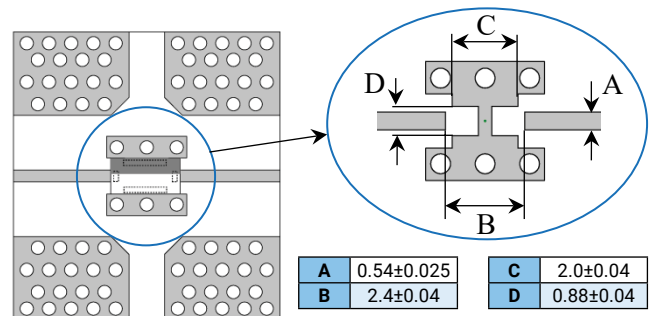
L	3.1±0.1	B1,B2	0.25±0.1
W	1.6±0.1	H1	0.06±0.06
T	0.6±0.3	H2	0.56±0.10
A1	1.9±0.1	S1	0.61±0.1
A2	0.5±0.1	S2	0.06±0.06

TERMINALS:

(Top View)



RECOMMENDED PAD LAYOUT: (mm)



A	0.54±0.025	C	2.0±0.04
B	2.4±0.04	D	0.88±0.04

Thin-Film RF/Microwave Filters

1206 High Performance Low Pass 12W

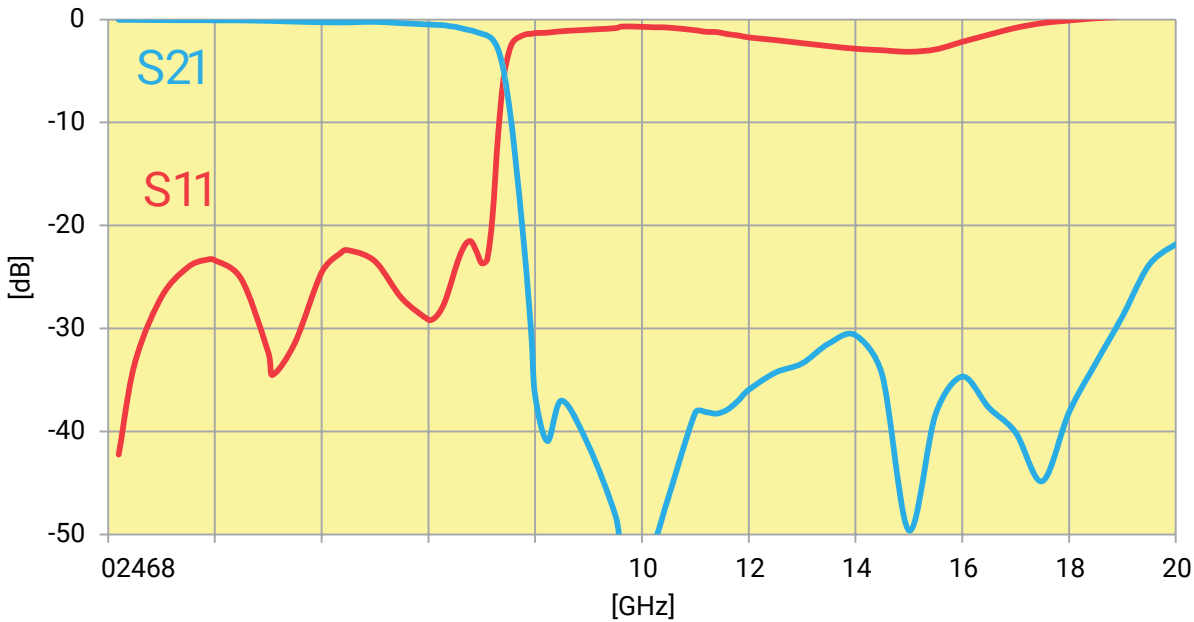
LP1206A6000ANTR – LGA Termination



TYPICAL ELECTRICAL PERFORMANCE

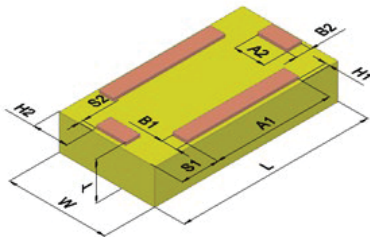
Parameter	Value	Unit	Notes
Fc	6000	MHz	
Rejection	-35	dB	Min. 8.4-18GHz
Insertion Loss	-0.6	dB	Max.(6GHz)
R.Loss 0-6GHz	-20	dB	
Power Handling	12	W	RF Continuous
Impedance	50	Ohm	
Operating Temp.	-40 to +100	degC	
Size	1206		

[Click here to return to main table.](#)



DIMENSIONS: mm (inches)

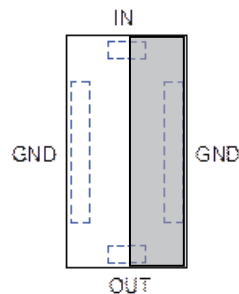
(Bottom View)



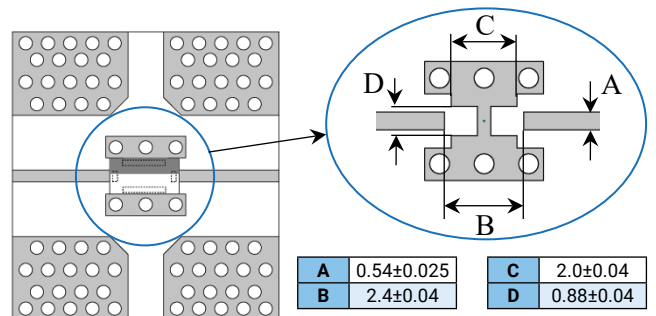
L	3.1±0.1	B1,B2	0.25±0.1
W	1.6±0.1	H1	0.06±0.06
T	0.6±0.3	H2	0.56±0.10
A1	1.9±0.1	S1	0.61±0.1
A2	0.5±0.1	S2	0.06±0.06

TERMINALS:

(Top View)



RECOMMENDED PAD LAYOUT: (mm)



A	0.54±0.025	C	2.0±0.04
B	2.4±0.04	D	0.88±0.04