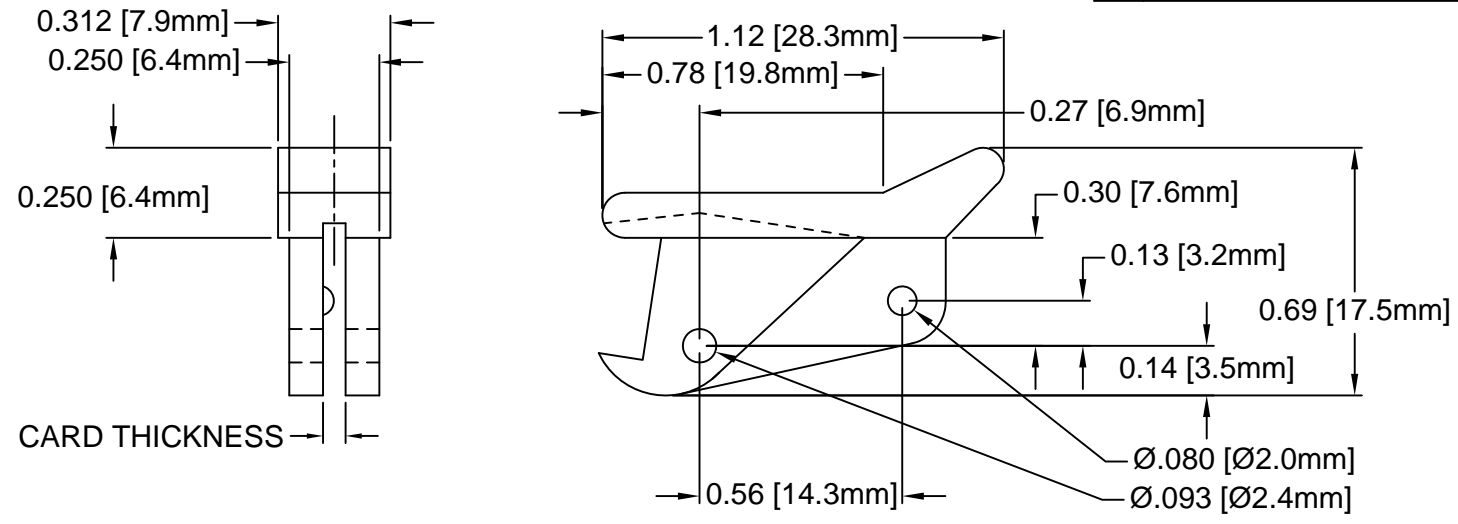
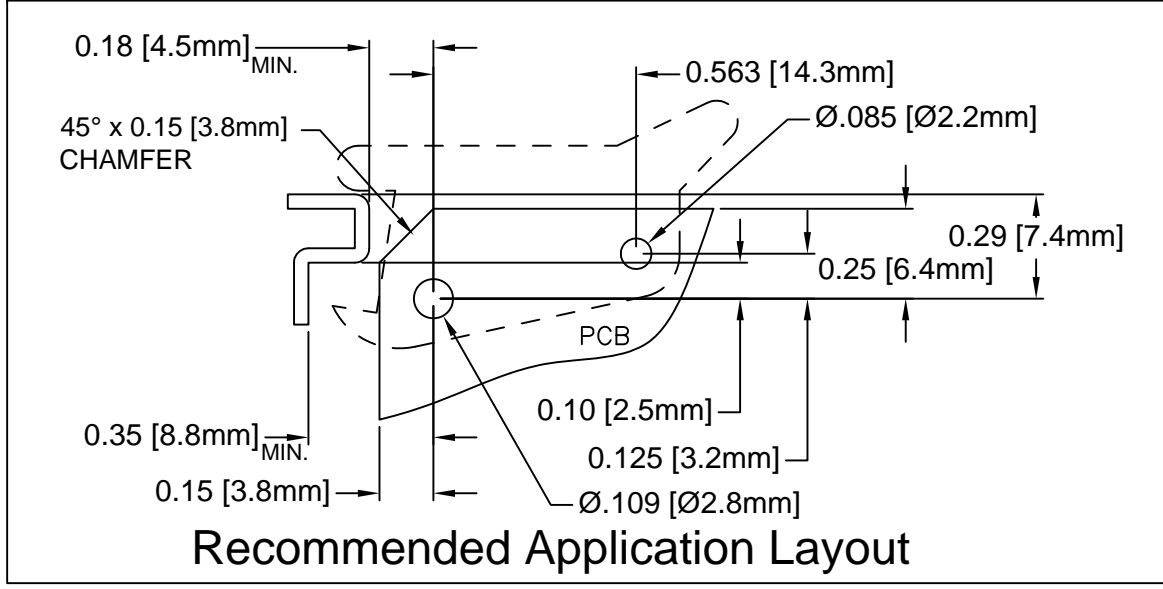


REV.	DESCRIPTION	DATE	APPROVED
F	Production Release	02/27/04	M. C.
G	Added Notes 4, 5, 6 & Color Options Sheet #2	05/16/16	J. C.
H	Updated Drawing Name to LP-06 XX	01/15/18	J. C.
J	Updated Color Options Sheet #2	07/06/18	M. C.



CARD THICKNESS



Recommended Application Layout

PART NO.	COLOR	ROLL PIN	CARD THICKNESS
LP-06 XX	SEE S.#2	RP-250	1/16" (1.6mm)

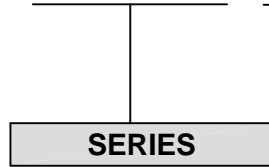
STANDARD TOLERANCE (UNLESS OTHERWISE SPECIFIED)		 <b>BIVAR</b> <sup>®</sup> 4 THOMAS, IRVINE, CA. 92618 TEL: (949) 951-8808 FAX: (949) 951-3974	
DECIMALS	ANGULAR		
.X ± .1	X° ± 1°		
.XX ± .01		TITLE: CIRCUIT BOARD CARD EJECTOR	
.XXX ± .005		PART NO: LP-06 XX	
DESIGNED: S. IRVING	DATE: 09/21/98	CAGE CODE: 32559	REVISION: J
REVISOR: D. GILBREATH	DATE: 07/06/18	SCALE: 1:1	SHEET # 1 OF 2
CHECKED: K. BARON	DATE: 07/06/18	CAD GENERATED DOCUMENT. DO NOT MEASURE DRAWING	

4. PRE-ASSEMBLED ROLL PINS AVAILABLE UPON REQUEST.
3. ROLL PINS INCLUDED. PACKAGED SEPARATELY.
2. MATERIAL: NYLON 6/6, 94V-2, WHITE.
1. GENERAL SPECIFICATIONS: BIVAR MOLDED COMPONENT SPECIFICATION BV00-E101.

OTHER AVAILABLE COLORS  
 \* SEE TABLE FOR ORDERING INFORMATION

REV.	DESCRIPTION	DATE	APPROVED
	SEE SHEET #1		

LP- 06



ORDER CODE	COLOR	PANTONE CODE
BK	BLACK	
BE	BLUE	PQ-BLUE072C
GN	GREEN	PQ-2258C
RD	RED	PQ-19-1664TCX
WE	WHITE	
YW	YELLOW	PQ-YELLOWC

<b>BIVAR</b> <sup>®</sup>	
PART NO: LP-06 XX	REVISION: J
SCALE: NONE	SHEET # 2 OF 2
CAD GENERATED DOCUMENT. DO NOT MEASURE DRAWING	