

AN-2280 LMR10530 Evaluation Module

1 Introduction

The LMR10530 evaluation module is designed to provide the power supply design engineer with a fully functional regulator design using the LMR10530 3MHz switching regulator in an WSON-10 package. The evaluation module is configured to provide an output of 1.2V at up to 3A from an input voltage range of 3V to 5.5V.

The printed circuit board consists of 4 layers of copper on FR4 material. The middle layers are solid ground layers with the first middle layer having a small polygon cut out for the V_{IN} node. The intermediate ground layer helps in minimizing the AC current loop. The LMR10530 is thermally tied to the other layers by thermal vias directly underneath the device. This user's guide contains the evaluation module schematic, a quick setup procedure, and a Bill-of-Materials (BOM). For complete circuit design information, see [LMR10530 SIMPLE SWITCHER 5.5Vin, 3.0A Step-Down Voltage Regulator in WSON-10 \(SNVS814\)](#).

The module has a C_{ff} capacitor footprint reserved for applications requiring higher V_{OUT} . The C_{ff} cap also helps to minimize the output voltage overshoot during sluggish startup. For suggested cap values, see the LMR10530 datasheet ([SNVS814](#)). The module also has a reserved footprint for an additional output cap, C_{o2} , for certain applications requiring more capacitance.

The performance of the evaluation board is:

- Input Range: 3 to 5.5V
- Output Voltage: 1.2V
- Output Current: 0 to 3A
- Frequency of Operation: 3000 kHz
- Board Size: 2.016 × 1.08 inches (51.2 × 27.43 mm)

2 Evaluation Board Schematic

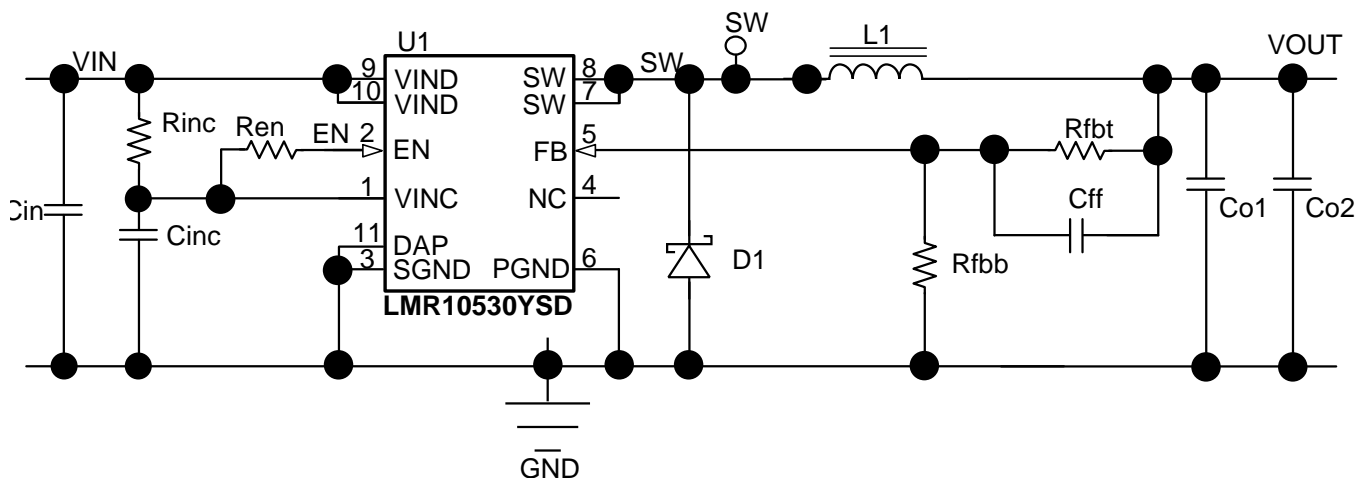


Figure 1. LMR10530 Evaluation Module Schematic

All trademarks are the property of their respective owners.

3 Powering and Loading Considerations

Read this entire section prior to attempting to power the evaluation board.

3.1 Quick Start Procedure

Step 1: Set the bench power supply current limit to 3A. Set the power supply voltage to 4V. Turn off the power supply output. Connect the power supply to the LMR10530 demo board. Positive connection to V_{IN} and negative connection to GND.

Step 2: Connect a load, as high as 3A, to the V_{OUT} terminal. Positive connection to V_{OUT} and negative connection to GND.

Step 3: The EN pin should be left open for normal operation.

Step 4: Turn on the bench power supply with no load applied to the LMR10530. The V_{OUT} would be in regulation at a nominal 1.2V output.

Step 5: Slowly increase the load while monitoring the output voltage, V_{OUT} should remain in regulation as the load is increased up to 3 Amps. The LMR10530 is designed to skip some pulses at very light loads to maintain output voltage regulation. Depending on load levels, the circuit may operate in either discontinuous or continuous conduction mode.

Step 6: Slowly sweep the input voltage from 3 to 5.5V, V_{OUT} should remain in regulation with a nominal 1.2V output.

3.2 Starting Up

By default, VINC is connected to V_{IN} through a low pass filter to remove any high frequency noise present at the input. EN is connected to VINC through a 100k Ω resistor. A separate logic signal at the EN terminal can be used, if startup and shutdown need to be controlled. The EN pin is tied to V_{IN} to simplify start-up. The pull-up resistor allows the power supply design engineer to toggle EN independently, if desired, and observe the start-up behavior of the LMR10530.

3.3 Adjusting the Output Voltage

The output voltage is set using the following equation where R_{fbb} is connected between the FB pin and GND, and R_{fbt} is connected between V_{OUT} and FB.

$$V_{OUT} = V_{FB} (1 + (R_{fbt}/R_{fbb})) \quad (1)$$

The feedback voltage V_{FB} is regulated at 0.60V typically.

Adjusting the output voltage will affect the performance of the LMR10530. In addition, output capacitors might not be rated for the new output voltage. For more information, see *LMR10530 SIMPLE SWITCHER 5.5Vin, 3.0A Step-Down Voltage Regulator in WSON-10* ([SNVS814](#)).

3.4 Typical Test Setup

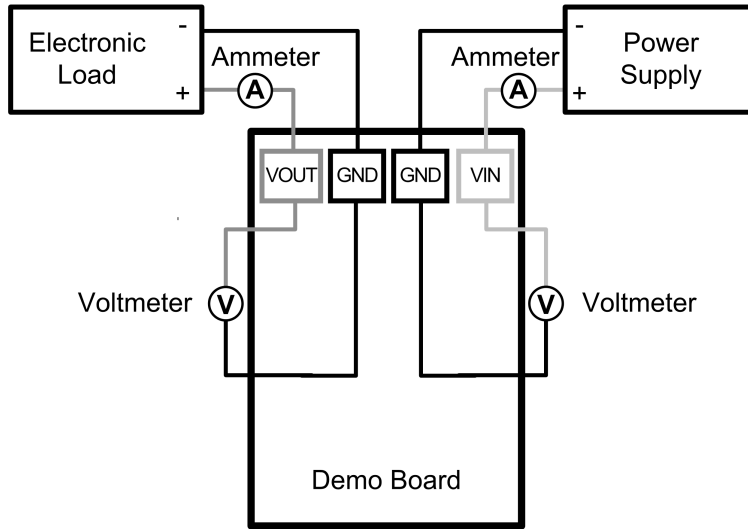


Figure 2. Efficiency Measurements

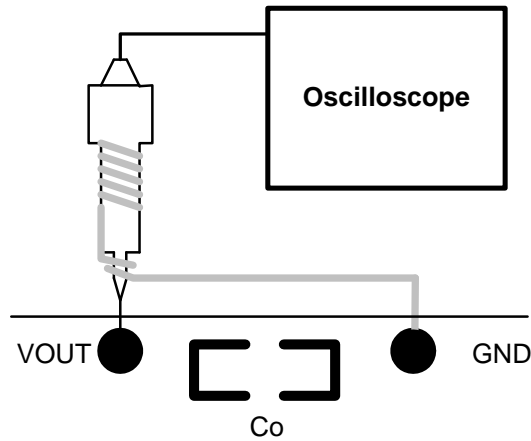


Figure 3. Voltage Ripple Measurements

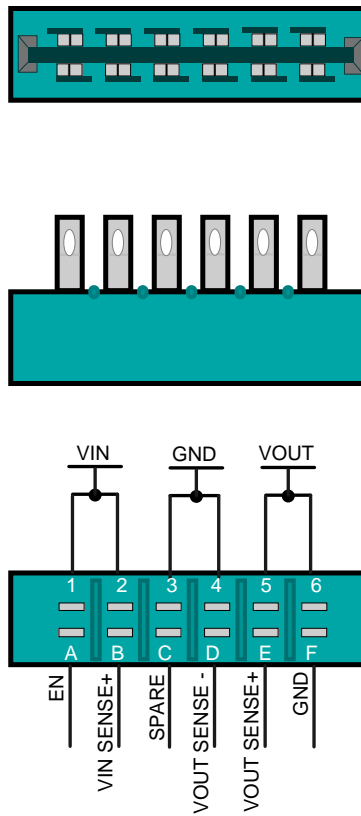


Figure 4. Edge Connector Schematic

4 Board Images

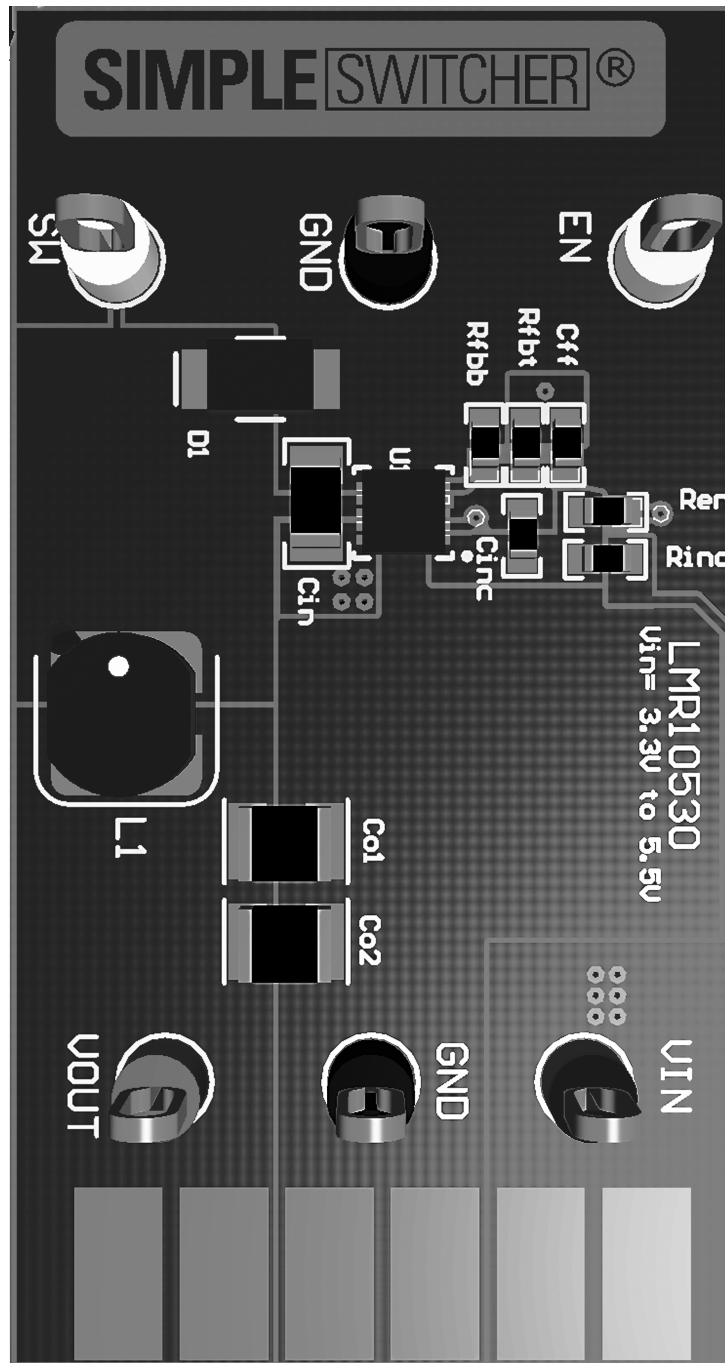


Figure 5. Top Side

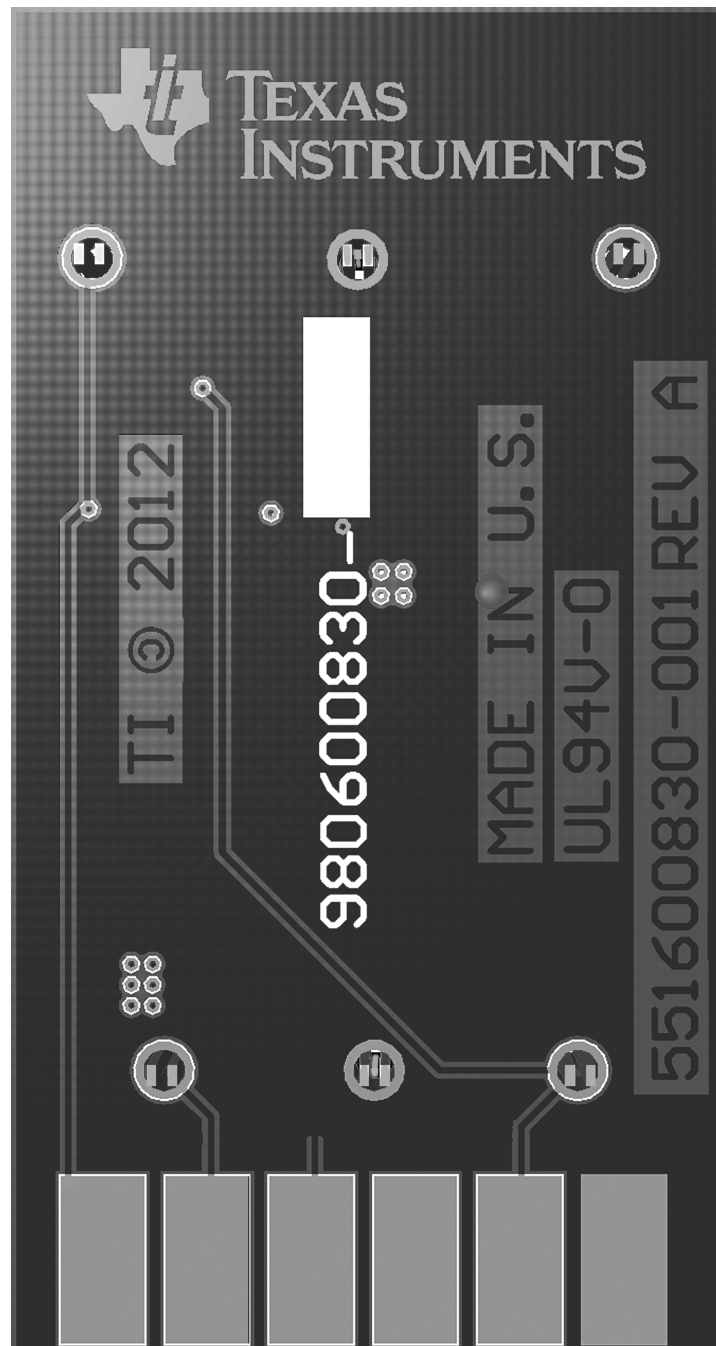
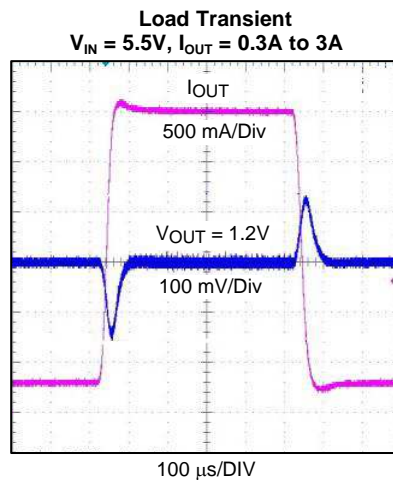
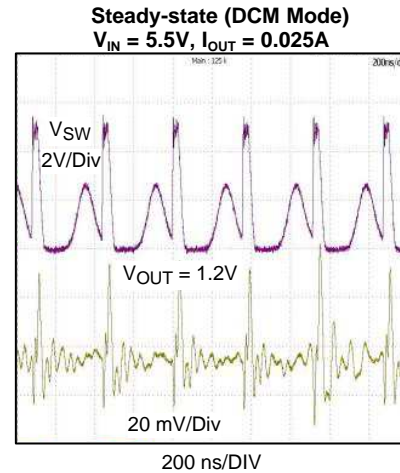
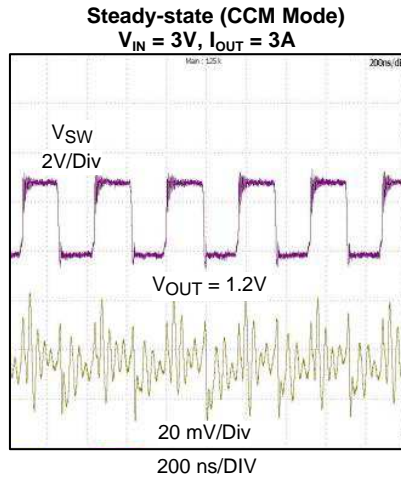
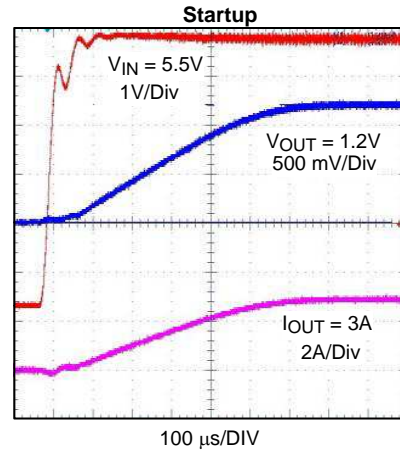
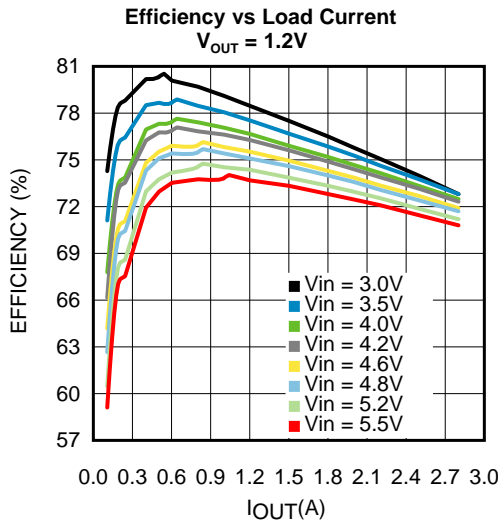


Figure 6. Bottom Side

5 Typical Performance Characteristics



6 Bill of Materials

Part ID	Part Value	Part Number	Manufacturer
U1	3MHz 3.0A buck regulator, WSON-10	LMR10530	Texas Instruments
L1	1.2 μ H, 4.6A	7447745012	Wurth Elektronik eiSos
Cin	47 μ F, 10V, X5R, 1206	C3216X5R0J226M	TDK
Cinc	0.22 μ F, 25V, X7R, 0603	06033D224KAT2A	AVX
Co1	47 μ F, 10V, X5R, 1210	GRM32ER61A476KE20L	Murata
D1	Schottky, 30V, 3A, 3-4E1A	CMS01	Toshiba
Rfbt	2.00k Ω , 1%, 1/8W, 0603	CRCW06032K00FKEA	Vishay
Rfbb	2.00k Ω , 1%, 1/8W, 0603	CRCW06032K00FKEA	Vishay
Rinc	10.0 Ω , 1%, 1/8W, 0603	CRCW060310R0FKEA	Vishay
Ren	100k Ω , 1%, 1/8W, 0603	CRCW0603100KFKEA	Vishay
VIN	Test Point Loop	5010	Keystone
SW	Test Point Loop	5012	Keystone
GND	Test Point Loop	5011	Keystone
GND	Test Point Loop	5011	Keystone
VOUT	Test Point Loop	5013	Keystone
EN	Test Point Loop	5014	Keystone

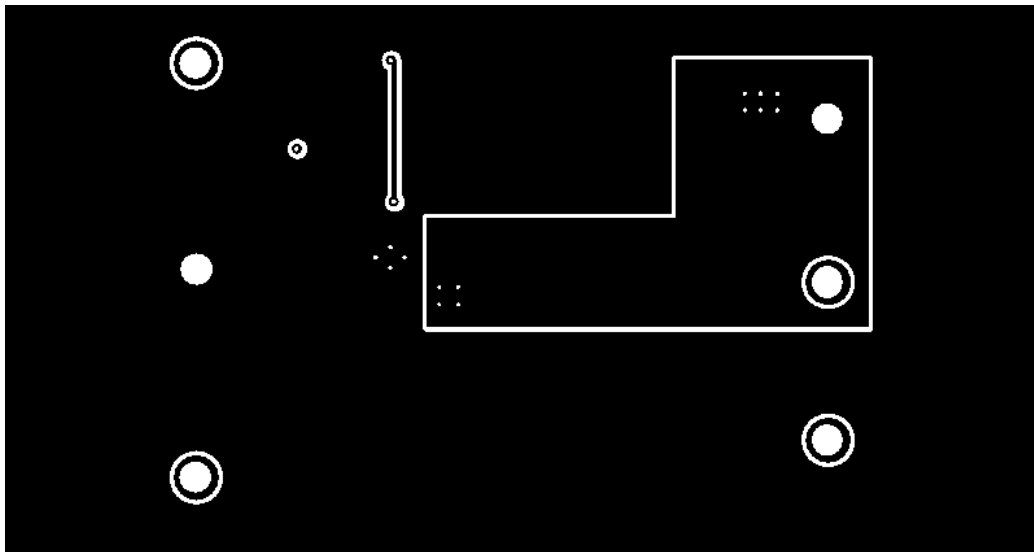


Figure 9. Internal Plane 1

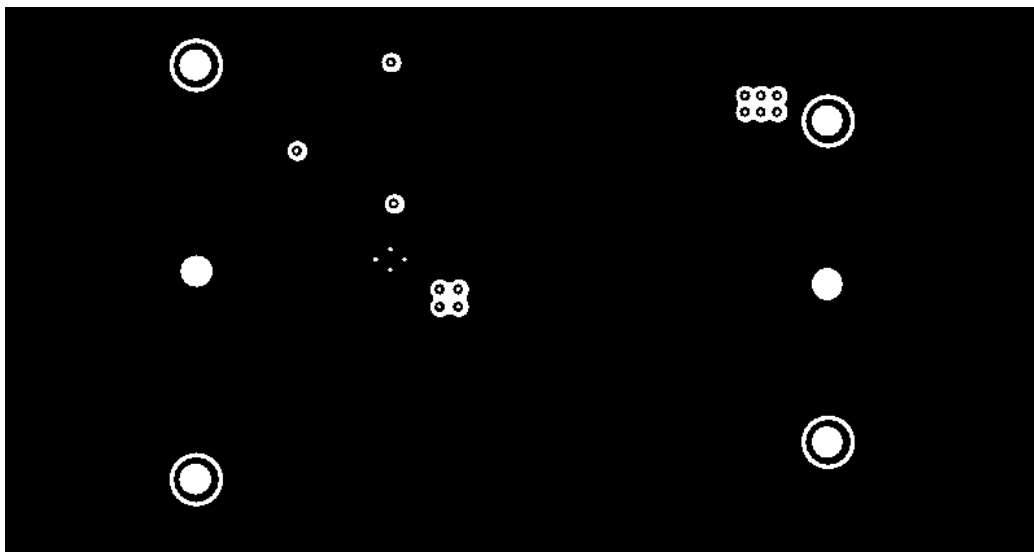


Figure 10. Internal Plane 2

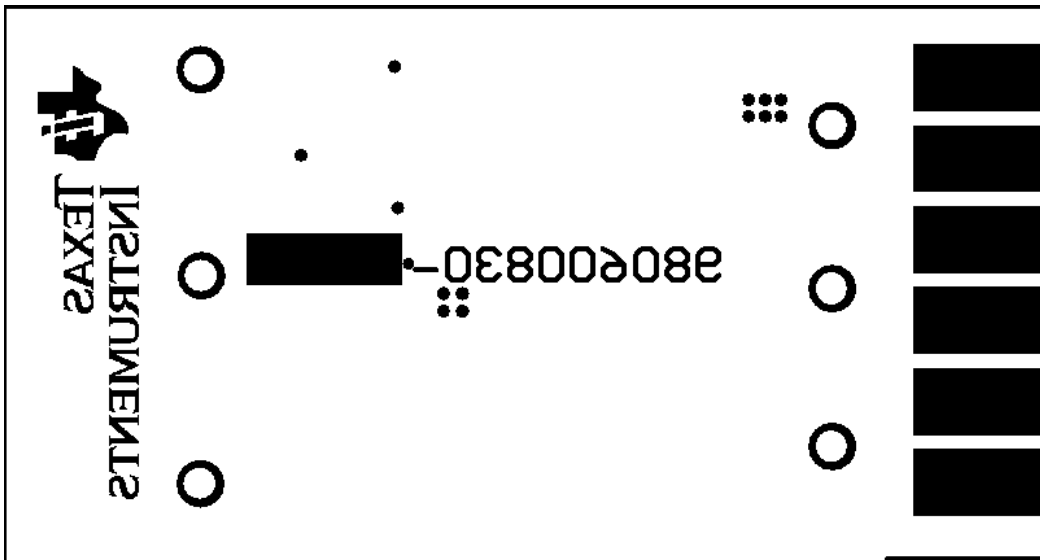


Figure 11. Bottom Overlay

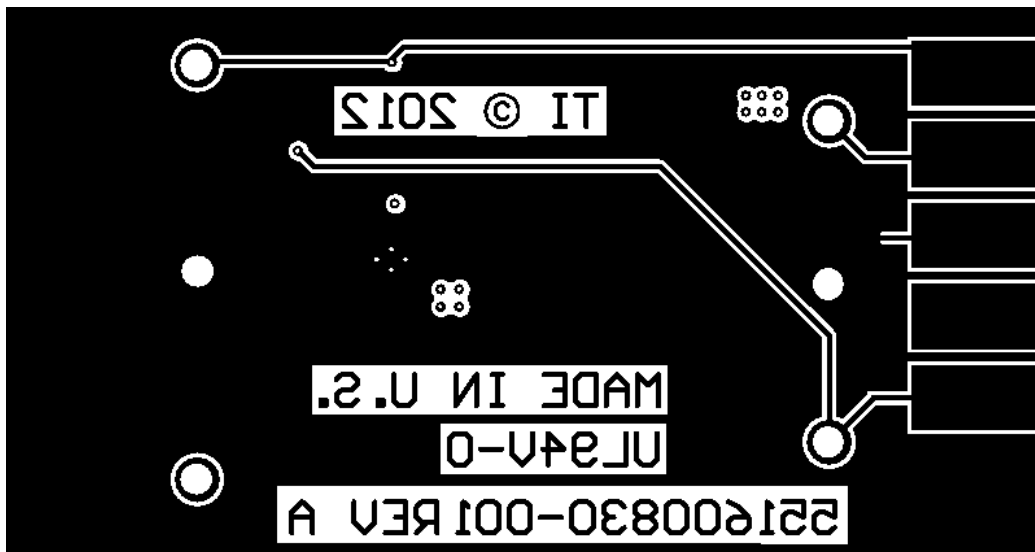


Figure 12. Bottom Copper

IMPORTANT NOTICE

Texas Instruments Incorporated and its subsidiaries (TI) reserve the right to make corrections, enhancements, improvements and other changes to its semiconductor products and services per JESD46, latest issue, and to discontinue any product or service per JESD48, latest issue. Buyers should obtain the latest relevant information before placing orders and should verify that such information is current and complete. All semiconductor products (also referred to herein as "components") are sold subject to TI's terms and conditions of sale supplied at the time of order acknowledgment.

TI warrants performance of its components to the specifications applicable at the time of sale, in accordance with the warranty in TI's terms and conditions of sale of semiconductor products. Testing and other quality control techniques are used to the extent TI deems necessary to support this warranty. Except where mandated by applicable law, testing of all parameters of each component is not necessarily performed.

TI assumes no liability for applications assistance or the design of Buyers' products. Buyers are responsible for their products and applications using TI components. To minimize the risks associated with Buyers' products and applications, Buyers should provide adequate design and operating safeguards.

TI does not warrant or represent that any license, either express or implied, is granted under any patent right, copyright, mask work right, or other intellectual property right relating to any combination, machine, or process in which TI components or services are used. Information published by TI regarding third-party products or services does not constitute a license to use such products or services or a warranty or endorsement thereof. Use of such information may require a license from a third party under the patents or other intellectual property of the third party, or a license from TI under the patents or other intellectual property of TI.

Reproduction of significant portions of TI information in TI data books or data sheets is permissible only if reproduction is without alteration and is accompanied by all associated warranties, conditions, limitations, and notices. TI is not responsible or liable for such altered documentation. Information of third parties may be subject to additional restrictions.

Resale of TI components or services with statements different from or beyond the parameters stated by TI for that component or service voids all express and any implied warranties for the associated TI component or service and is an unfair and deceptive business practice. TI is not responsible or liable for any such statements.

Buyer acknowledges and agrees that it is solely responsible for compliance with all legal, regulatory and safety-related requirements concerning its products, and any use of TI components in its applications, notwithstanding any applications-related information or support that may be provided by TI. Buyer represents and agrees that it has all the necessary expertise to create and implement safeguards which anticipate dangerous consequences of failures, monitor failures and their consequences, lessen the likelihood of failures that might cause harm and take appropriate remedial actions. Buyer will fully indemnify TI and its representatives against any damages arising out of the use of any TI components in safety-critical applications.

In some cases, TI components may be promoted specifically to facilitate safety-related applications. With such components, TI's goal is to help enable customers to design and create their own end-product solutions that meet applicable functional safety standards and requirements. Nonetheless, such components are subject to these terms.

No TI components are authorized for use in FDA Class III (or similar life-critical medical equipment) unless authorized officers of the parties have executed a special agreement specifically governing such use.

Only those TI components which TI has specifically designated as military grade or "enhanced plastic" are designed and intended for use in military/aerospace applications or environments. Buyer acknowledges and agrees that any military or aerospace use of TI components which have **not** been so designated is solely at the Buyer's risk, and that Buyer is solely responsible for compliance with all legal and regulatory requirements in connection with such use.

TI has specifically designated certain components as meeting ISO/TS16949 requirements, mainly for automotive use. In any case of use of non-designated products, TI will not be responsible for any failure to meet ISO/TS16949.

Products

Audio	www.ti.com/audio
Amplifiers	amplifier.ti.com
Data Converters	dataconverter.ti.com
DLP® Products	www.dlp.com
DSP	dsp.ti.com
Clocks and Timers	www.ti.com/clocks
Interface	interface.ti.com
Logic	logic.ti.com
Power Mgmt	power.ti.com
Microcontrollers	microcontroller.ti.com
RFID	www.ti-rfid.com
OMAP Applications Processors	www.ti.com/omap
Wireless Connectivity	www.ti.com/wirelessconnectivity

Applications

Automotive and Transportation	www.ti.com/automotive
Communications and Telecom	www.ti.com/communications
Computers and Peripherals	www.ti.com/computers
Consumer Electronics	www.ti.com/consumer-apps
Energy and Lighting	www.ti.com/energy
Industrial	www.ti.com/industrial
Medical	www.ti.com/medical
Security	www.ti.com/security
Space, Avionics and Defense	www.ti.com/space-avionics-defense
Video and Imaging	www.ti.com/video

TI E2E Community

e2e.ti.com